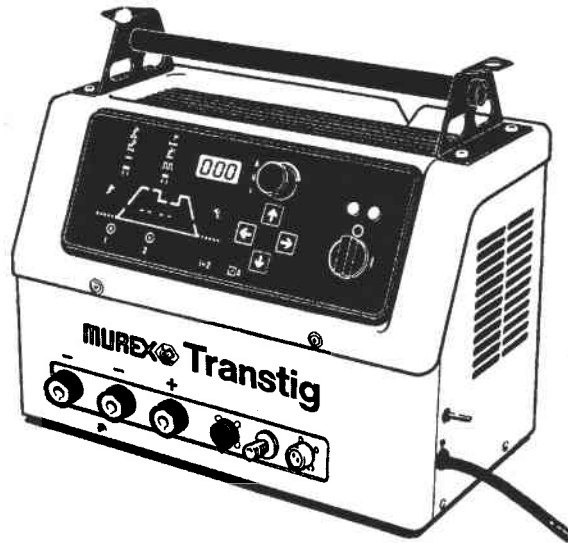


SPARE PARTS LIST



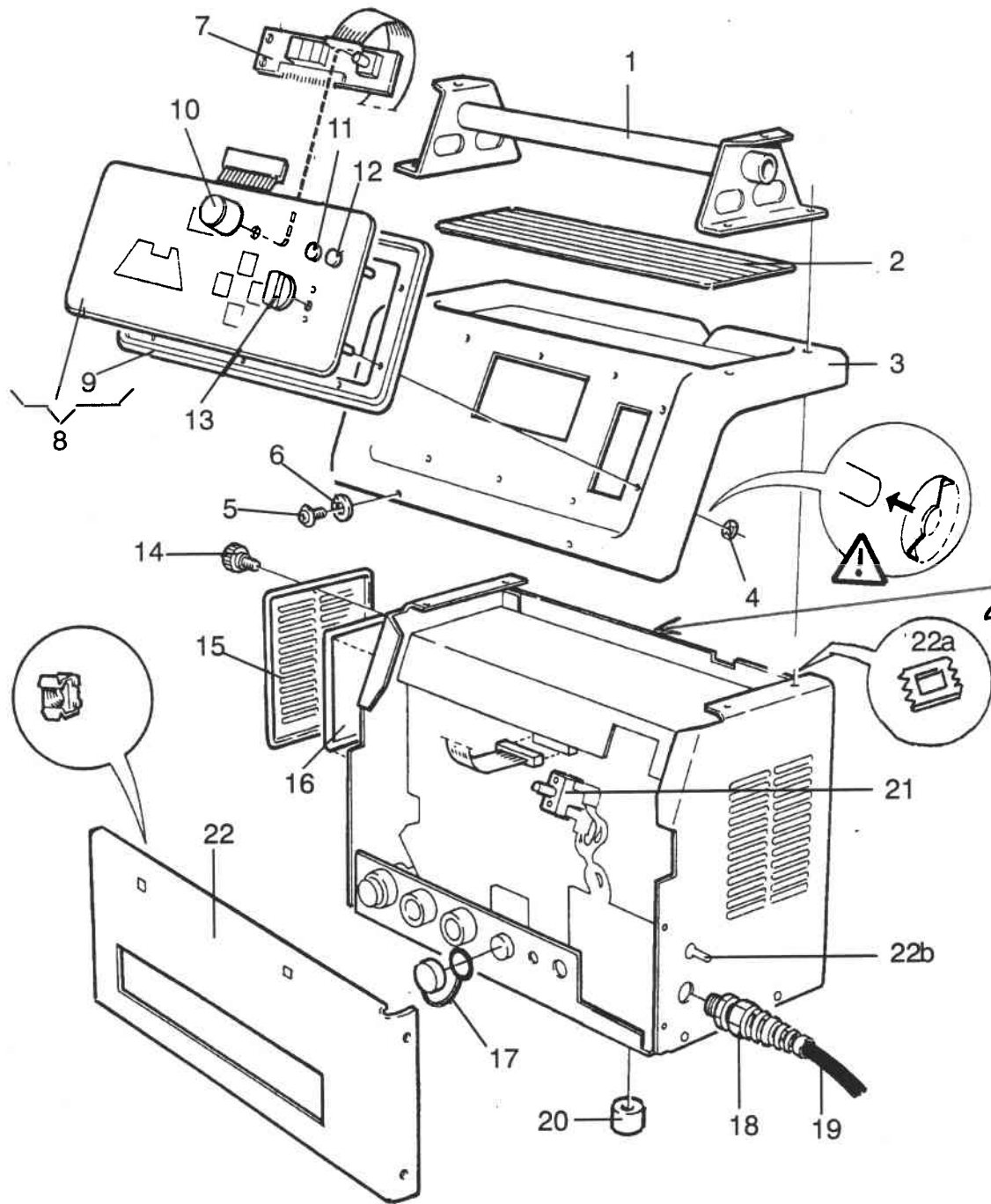
Ordering no.	Denomination	Notes
0468 300 880	Transtig DC160i 230V,50/60 Hz	OKC-connection
0468 300 887	Transtig DC200i 400V 50/60 Hz	OKC-connection
0468 300 897	Transtig DC 250i 400V 50/60 Hz	OKC-connection



NOTE! Spare parts for DC160i/200i/250i

C = component designation in the circuit diagram

ite no.	Qty 160i	Qty 200i	Qty 250i	Ordering no.	Denomination	Notes	C
1	1	1	1	468 543-881	Handle	Complete	
2	1	1	1	468 529-001	Rubber mat		
3	1	1	1	468 278-002	Cover	When the cover is replaced, items 4 and 9 must also be replaced	
4	10	10	10	192 859-006	Locking washer	Must be pressed with 50 kg pressure, when fitted	
5	23	23	23	468 532-001	Screw		
6	2	2	2	193 392-119	Insulating bushing		
7	1	1	1	486 102-880	Display board		AP06
8	1	1	1	468 308-881	Control panel		AP05
9	1	1	1	469 402-880	Rubber seal	12 pcs of item 4 included	
10	1	1	1	321 475-889	Knob		
11	1	1	1	193 759-001	Indicating lamp	White, 28 V	HL01
12	1	1	1	193 759-002	Light-emit. diode	Yellow	V05
13	1	1	1	366 296-002	Knob		
14	2	2	2	441 819-001	Screw		
15	1	1	1	468 275-002	Protection grill		
16	1	1	1	468 519-001	Filter		
17	1	1	1	366 285-001	Protection cap		
18	1	1	1	193 307-104	Grommet inlet		
19	1	-	-	369 761-001	Mains cable	3 x 2.5 mm ² with plug	
	-	1	1	468 516-882	Mains cable	4 x 1.5 mm ²	
20	4	4	4	467 695-001	Rubber foot		
21	1	1	1	366 295-004	Switch		QF01
22	1	-	-	455 953-001	Front cover		
	-	1	-	455 954-001	Front cover		
	-	-	1	457 814-001	Front cover		
-	1	1	1	193 260-154	Connector	6-pole for 0.75 mm ² conductor	XS01
-	1	1	1	193 260-003	Connector	4-pole for 0.35 mm ² conductor	XS02
-	1	1	1	193 260-156	Connector	8-pole for 0.75 mm ² conductor	XS03
-	2	2	2	193 260-155	Connector	7-pole for 0.75 mm ² conductor	XS05, XS21
-	5	5	5	193 260-001	Connector	2-pole for 0.35 mm ² conductor	XS06, XS07, XS15, XS16, XS18
-	1	1	1	193 260-151	Connector	3-pole for 0.75 mm ² conductor	XS08
-	1	1	1	193 260-153	Connector	5-pole for 0.75 mm ² conductor	XS09
-	1	1	1	193 669-002	Connector	2-pole	XS17
-	2	2	2	193 590-302	Sleeve	For connector XS17	
-	2	2	2	193 260-152	Connector	4-pole for 0.75 mm ² conductor	XS19, XS22
-	1	1	1	193 260-150	Connector	2-pole for 0.75 mm ² conductor	XS23
22a	4	4	4	320 029-002	Washer		
22b	1	1	1	193 054-104	Nipple		



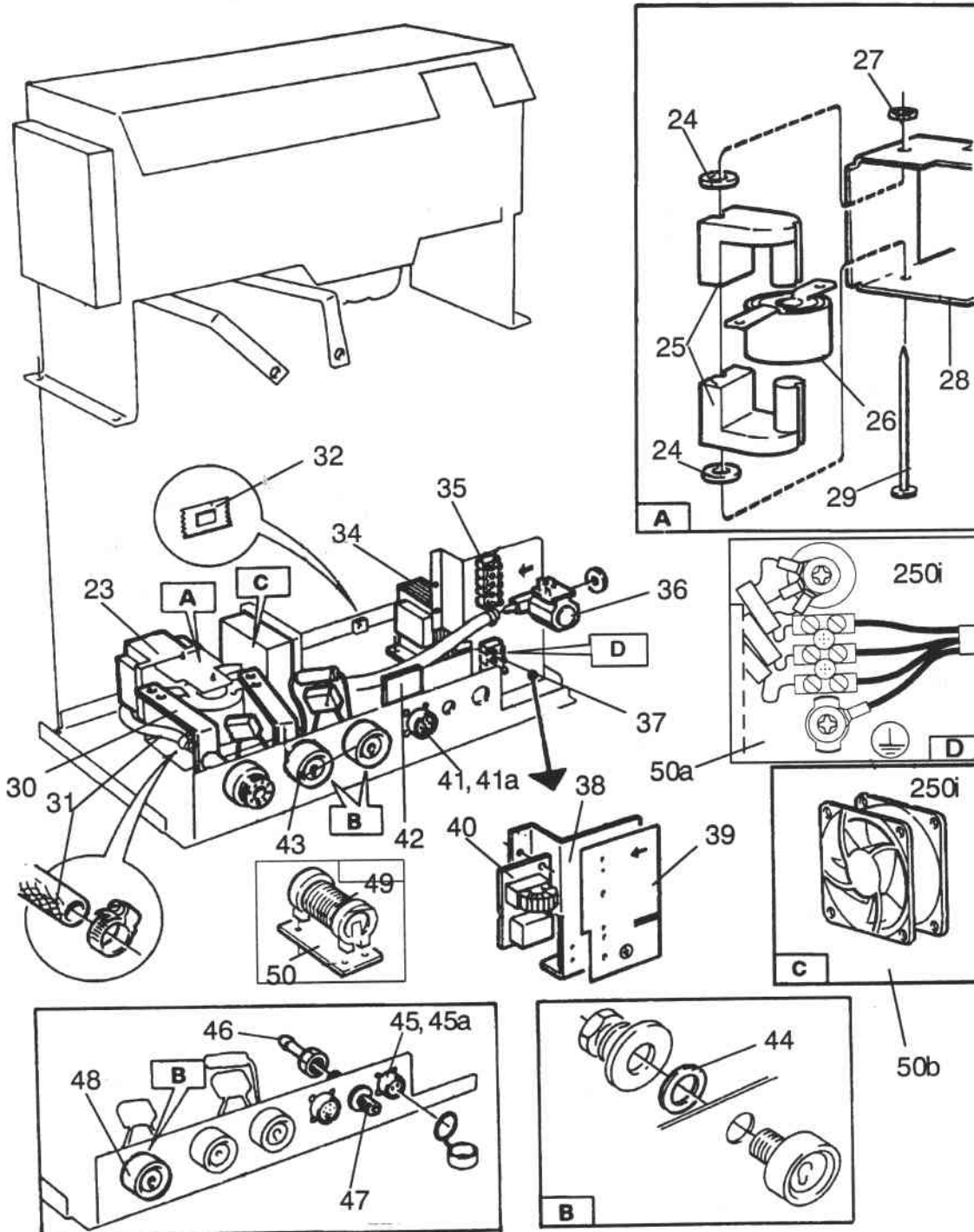
BACK
PANEL
468277002
(SPR)



NOTE! Spare parts for DC160i/200i/250i

ite. no.	Qty 160i	Qty 200i	Qty 250i	Ordering no.	Denomination	Notes	C
23	1	1	1	367 268-002	HF unit		AP11
24	5	5	5	365 534-001	Spacer washer	Rubber washer	
25	2	2	2	193 312-101	Ferrite core		
26	1	1	-	468 523-880	HF coil		TV01
			1	468 523-880	HF coil		TV01
27	2	2	2	192 859-006	Locking washer		
28	1	1	1	468 527-001	Holding plate		
29	2	2	2	365 584-002	Nail		
30	2	2	2		Busbar	Included in item X2 (Spare parts sets)	
31	1	1	1	190 315-102	Hose	To be ordered per metre 0.6 metre as delivered	
32	5	5	5	320 029-002	Earth contact washer		
34	1	1	1	468 295-001	Control transformer		TC01
						315 mAs	FU01
						800mAs	FU02
						1,0As	FU03
						630mAs	FU04
35	1	1	1	193 045-011	Terminal block	Delivered as 12-pole, to be cut to 4-pole	X02
36	1	1	1	193 054-004	Solenoid valve		YV01
37	1	1	1	193 045-011	Terminal block	Delivered as 12-pole, to be cut to 3-pole	X01
38	1	1	1	455 861-880	Holding plate		
39	1	-	-	468 545-001	Sign		
	-	1	1	468 545-002	Sign		
40	1	-	-	486 343-880	Circuit board	Suppression board	AP08
	-	1	1	486 356-880	Circuit board	Suppression board	AP08
41	1	1	1		Connector, socket	12-pole	XS10
41a	1	1	1	366 285-001	Protection cap		
42	1	1	1	486 187-880	Circuit board	Suppression board complete	AP09
43	2	2	2	160 362-881	Welding current connector		XS14
44	3	3	3	466 325-001	Gasket		
45	1	1	1	5385 009-02	Connector, socket		XS12
45a	1	1	1	457 626-001	Protection cap		XS12
46	1	1	1	2521 035-01	Hose nipple		
47	1	1	1	156 867-001	Hose connector		
48	1	1	1	156 868-880	Welding current connector		XS13
49	1	-	-	467 809-880	Primary inductor		L03
50	1	-	-	468 521-001	Insulation		
50a	-	-	1	468 547-883	Capacitor	0,01 µF 250V (Y)	C13,C14 C15
50b	-	-	1	457 519-001	Fan	24V DC	EV02

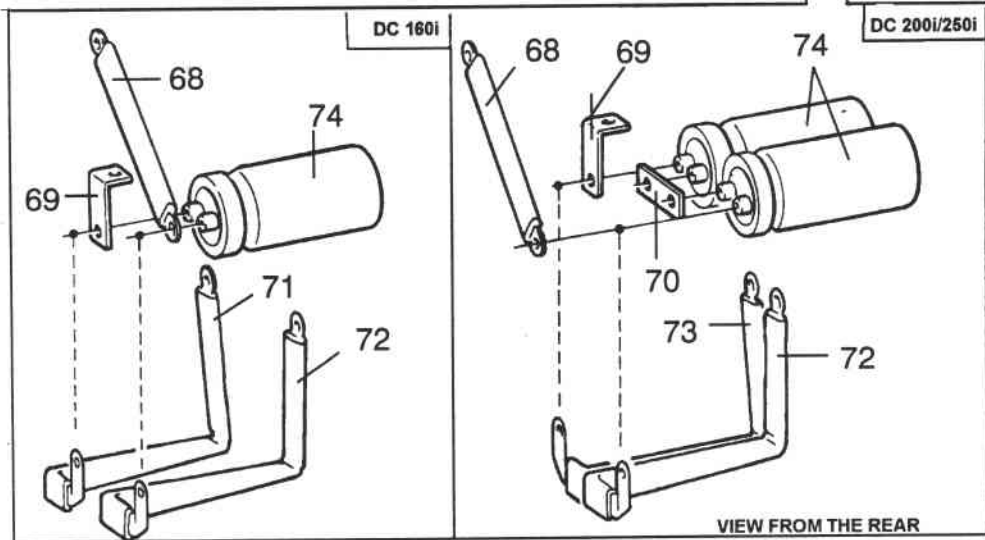
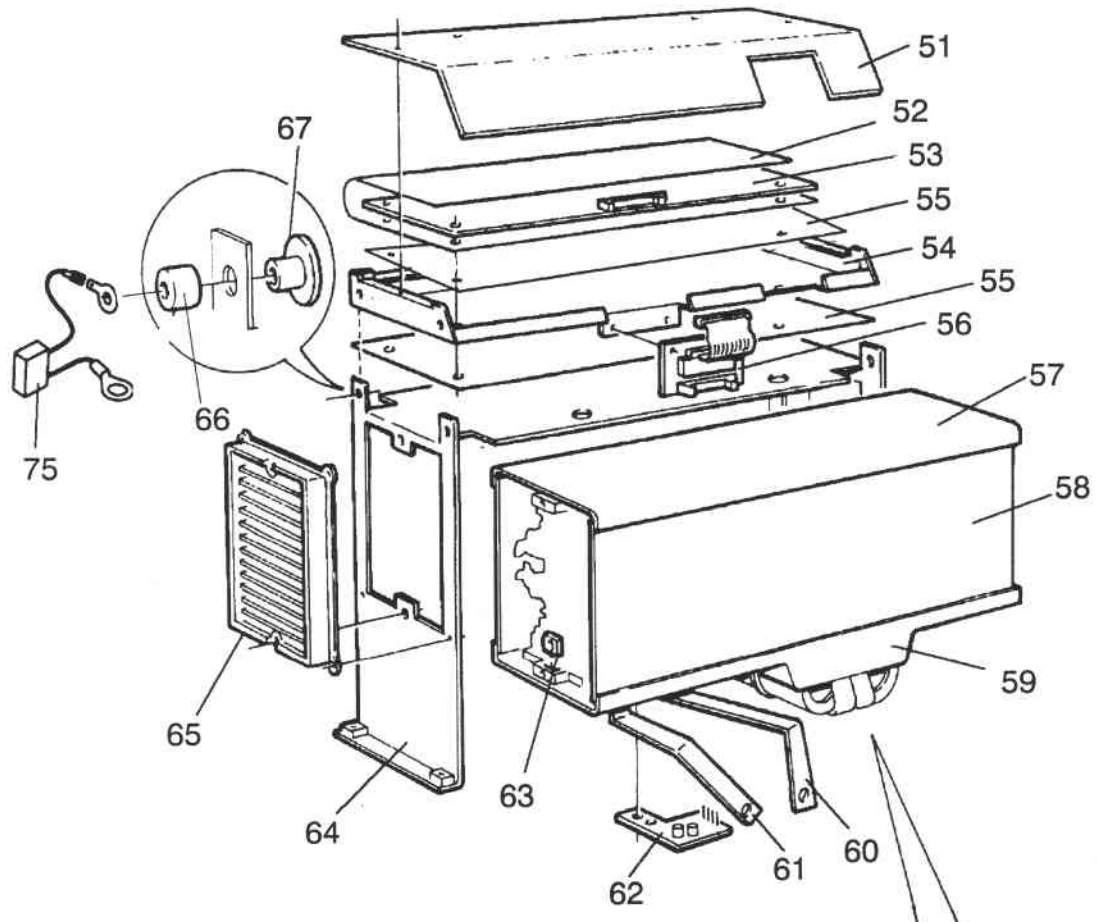
① For DC 250i use 486187883





NOTE! Spare parts for DC160i/200i/250i

Item no.	Qty 160i	Qty 200i	Qty 250i	Ordering no.	Denomination	Notes	C
51	1	1	1	468 542-001	Lid		
52	1	1	1	468 544-001	Insulation		
53	1	1	-	486 112-880	Circuit board		AP01
			1	486 112-883	Circuit board		AP01
	1	1	1	193 069-201	Battery	For memory backup on AP01	
54	1	1	1	468 541-001	Screening box		
55	2	2	2	457 520-001	Insulation		
56	1	1	1	486 192-880	Circuit board	Suppression board	AP07
57	1	1	1	468 310-001	Insulation		
58	2	2	2	468 279-001	Insulation		
59	1	1	1	468 280-001	Insulation		
60	1	1	1		Busbar	Included in item X2	
61	1	1	1		Busbar	Included in item X2	
62	1	1	1	486 166-880	Circuit board	Shunt amplifier	AP10
63	4	4	4	366 588-001	Nut		
64	1	1	1	468 274-001	Holding plate		
65	2	2	2	468 520-001	Grill		
66	4	4	4	162 532-001	Bushing		
67	4	4	4	158 619-001	Bushing		
68	1	1	1		Busbar	Included in item X1	
69	1	1	1		Busbar	Included in item X1	
70	-	1	1		Connection bar	Included in item X1	
71	1	-	-		Busbar	Included in item X1	
72	1	1	1		Busbar	Included in item X1	
73	-	1	1		Busbar	Included in item X1	
74	1	2	2	192 903-506	Capacitor	1000µF	C02, C03
75	-	-	2	0468 547-881	Capacitor	0,1 µF 275V AC X2	C08
	2	2	-	0468 547-880	Capacitor		C09



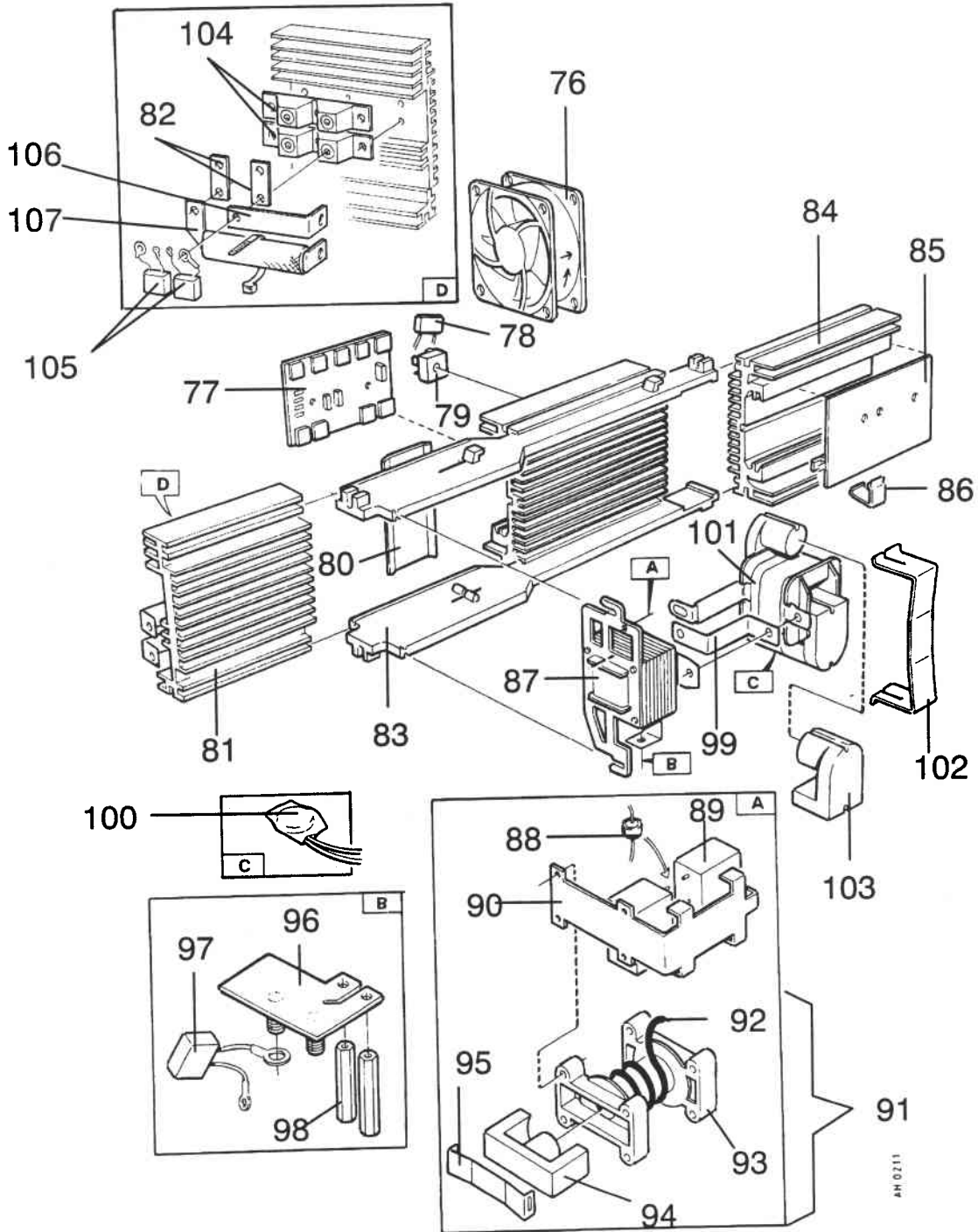


NOTE! Spare parts for DC160i/200i

Item no.	Qty 160	Qty 200	Ordering no.	Denomination	Notes	C
76	1	1	467 801-001	Fan	24 VDC	EV01
77	1	-		Circuit board	Transistor board, positive pole Included in item X3	AP02
	-	1		Circuit board	Transistor board, positive pole Included in item X4	AP02
78	1	1	192 883-150	Capacitor	0.1 μ F 1000 VDC	C01
79	1	2	193 316-208	Rectifier bridge		V01, V02
80	1	1	467 800-001	Insulation		
81	1	1	455 648-001	Heat sink		
82	-	2		Busbar	Included in item X2	
83	2	2	467 797-001	Guide		
84	2	2	467 793-180	Heat sink		
85	1	-		Circuit board	Transistor board, negative pole Included in item X3	AP03
	-	1		Circuit board	Transistor board, negative pole Included in item X4	AP03
86	15	19		Spring	Included in item X3 and X4	
87	1	1	468 016-880	Inductor	Secondary	L01
88	1	1	192 716-004	Diode		V06
89	2	2	193 529-017	Capacitor	4.7 μ F	C05
90	1	1	468 496-001	Holder		
91	1	1	468 215-880	Inductor	Complete	L02
92	1	1		Winding		
93	1	1		Bobbin		
94	2	2		Core		
95	2	2		Clip		
96	1	-	468 961-880	Shunt	120 mV at 140 A	RS01
	-	1	468 030-880	Shunt	120 mV at 200 A	RS01
97	1	1	192 883-150	Capacitor	0.1 μ F 1000 VDC	C04
98	2	2	2129 131-08	Spacer	M8	
99	1	1		Busbar	Included in item X2	
100	1	-		Thermal cutout	Opens at 130°C, closes at 100°C	ST01
	-	1		Thermal cutout	Opens at 150°C, closes at 130°C	ST01
101	1	-	467 792-880	Transformer coil		TC02
	-	1	467 806-880	Transformer coil		TC02
	1	1	466 602-001	Conductor	To be ordered per m. 0.6m/transform.	020
102	1	1	467 799-001	Clip		
103	4	4	193 312-101	Ferrite core		
			365 652-002	Tape	For air gap	
			191 124-021	Glue	For ferrite core	
104	1	2	193 948-001	Diod		
105	2	2	467 648-883	Capacitor		
106				Busbar	Included in item X2	
107				Busbar	Included in item X2	

SPARE PARTS SETS DC160i/200i

Item	Ordering no.	Denomination	Notes
X1	468 881-880	Busbars, primary	Contains items 68, 69, 70, 71, 72 and 73
X2	468 881-885	Busbars, secondary	Contains items 30, 60, 61, 82, 99, 106 and 107
X3	468 881-882	Transistor boards 160 i	Contains items 77, 85 and 15 springs (item 86)
X4	468 881-883	Transistor boards 200 i	Contains items 77, 85 and 19 springs (item 86)
X5	192 058-106	Contact oil	To be used when mounting items X3 and X4





NOTE! Spare parts for DC250i

Item no.	Qty 250i	Ordering no.	Denomination	Notes	C
108	1	467 801-001	Fan	24 VDC	EV01
109	-		Circuit board	Included in item X3	AP02
110	1	192 883-150	Capacitor	0.1 μ F 1000 VDC	C01
111	2	193 316-208	Rectifier bridge		V01, V02
112	1	467 800-001	Insulation		
113	1	455 646-883	Rectifier unit	Complete	
114	2	467 797-001	Guide		
115	2	467 793-180	Heat sink		
116	1		Circuit board	Included in item X3	AP03
117	19		Spring	Included in item X3	
118	1	468 016-880	Inductor	Secondary	L01
119	1	192 716-004	Diode		V06
120	2	193 529-017	Capacitor	4.7 μ F	C05
121	1	468 496-001	Holder		
122	1	468 215-880	Inductor	Complete	L02
123	1		Winding	Included in item 91	
124	1		Bobbin	Included in item 91	
125	2		Core	Included in item 91	
126	2		Clip	Included in item 91	
127	1	457 304-880	Shunt	119 mV at 250 A	RS01
128	1	320 805-886	Capacitor	0.1 μ F 400 VDC	C04
129	2	2129 131-08	Spacer	M8	
130	1		Busbar	Included in item X2	
131	1	320 655-009	Thermal cutout	Opens at 130°C, included in item 87	ST01
132	1	457 308-880	Transformer coil		TC02
133	1	467 799-001	Clip		
134	4	193 312-101	Ferrite core		
135	1	193 948-001	Diode module		V03
	2	193 948-001	Diode module		V04
136	1		Busbar	Included in item X2	
137	1		Busbar	Included in item X2	
138	2	467 648-884	Capacitor	Compl.	C10,C11
139	1		Busbar	Included in item X2	
140	2	191 745-011	Spacer sleeve		
141	2	455 569-002	Ferrite ring core		L04,L05
142	1	455 569-003	Ferrite ring core		L03
143	2		Busbar	Included in item X2	
144	2	457 695-001	Washer		
145	1	457 557-880	Resistor	Complete 8,2 k Ω 5W	R02
146	1	193 669 002	Connector	2-way	XS17
146a		193 590 302	Sleeve	2 per connector	