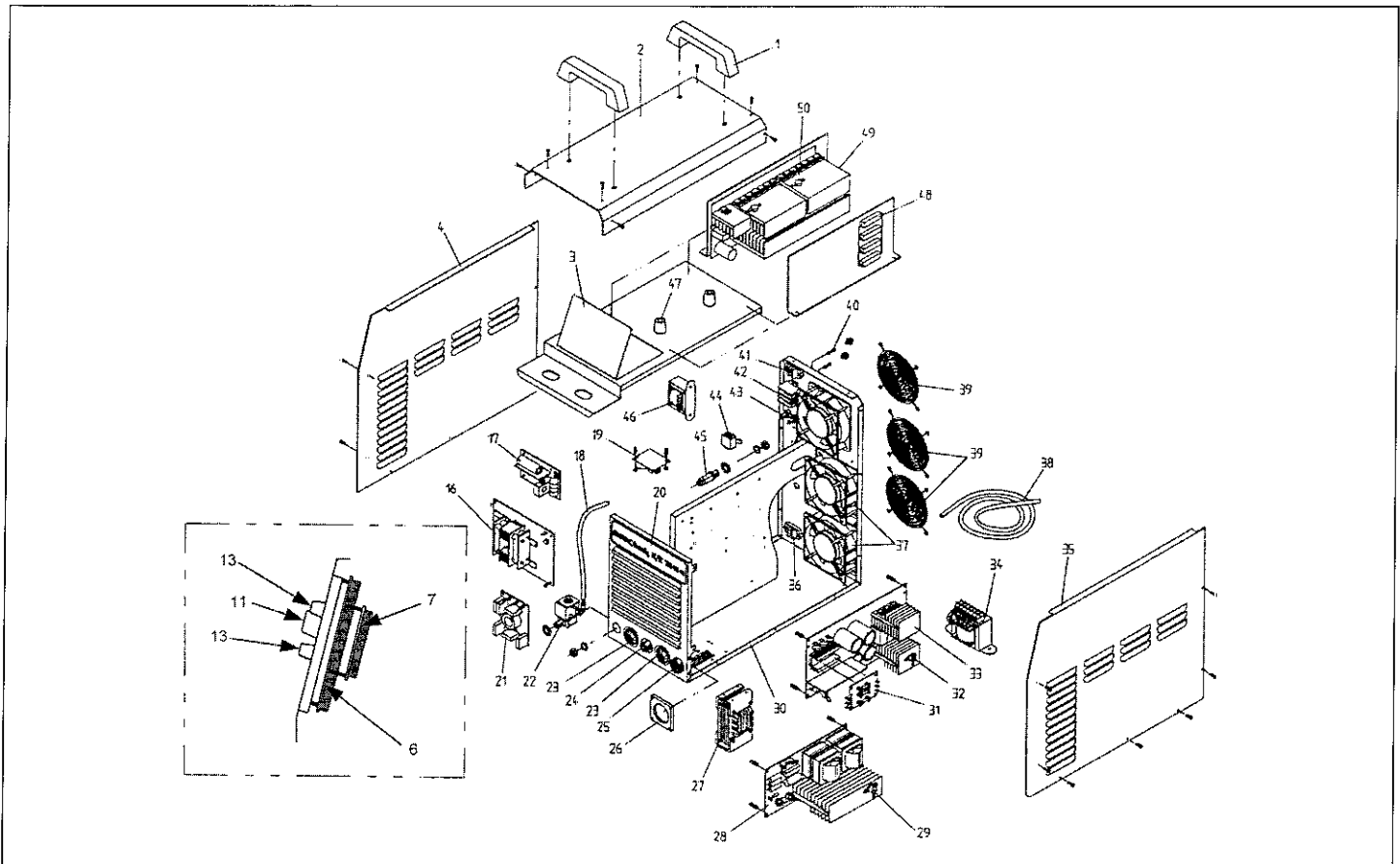


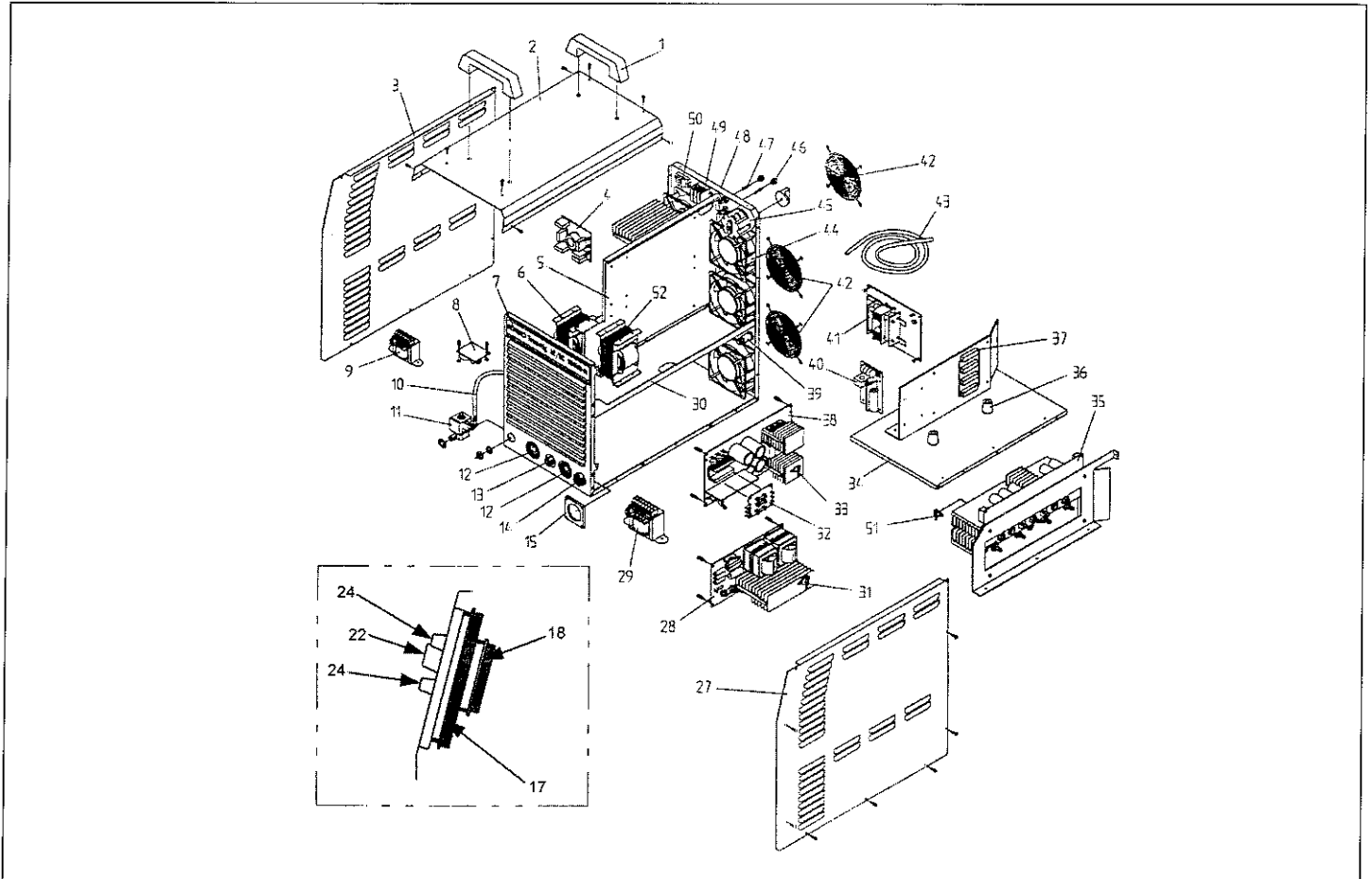
SPARE PARTS Transtig AC/DC 201iS, 203iS & 253iS



Item	Description	Part No.	Item	Description	Part No.
1	Handle	66109	31a	Fuse PCB - 203iS, 253iS	61820
2	Lid	62500	31b	Fuse 16A slow - 3ph (32 x 6.3mm)	64241
3	Shelf	62483	32a	Thermal Switch 60°C - 201/203iS	65776
4	LHS Panel	62349L	32b	Thermal Switch 70°C - 253iS	64215
6a	µP Control PCB 201iS	610716	33a	Primary Inverter PCB - 201iS	610643
6b	µP Control PCB 203iS	610715	33b	Primary Inverter PCB - 203iS	610488
6c	µP Control PCB 253iS	611249	33c	Primary Inverter PCB - 253iS	611253
7	Com Driver PCB	613300	34	Aux Transformer (T2)	64637
11	Knob d29	66208	35	RHS Panel	62349R
13	Knob d22	66121	36	Strain Relief	66061
16	HF Transformer PCB	61950	37	Fan	64182
17	HF Generator PCB	61895	39	Fan Guard	66098
18	Gas Hose	66160	40a	Fuse 6.3A Slow (32 x 6.3mm)	64207
19	Torch Switch Filter PCB	61049	40b	Fuse 2A Slow (32 x 6.3mm)	64250
21a	Mains Filter PCB - 201iS	61733	41	Strain Relief	66061
21b	Mains Filter PCB - 203iS, 253iS	61734	42	Terminal Block	64144
22	Solenoid Valve	61703	43	Fuse Holder	64180
23	Dins Socket	64274	44a	On/Off Switch - 201iS	64053
24	2p Socket	64103	44b	On/Off Switch - 203iS, 253iS	64056
25	14p Socket	64104	45	Coupling	63191
27	Inductor	61963	46a	Aux Transformer (T1) - 201iS	64630
28a	Tx/Rect PCB - 201iS	610628	46b	Aux Transformer (T1) - 203iS/253iS	64642
28b	Tx/Rect PCB - 203iS	610509	47	Foot	66501
28c	Tx/Rect PCB - 253iS	611252	48	Resistor 1 5k 50W (3 required)	65969
29	Thermal Switch 80°C	65775	49a	DC/AC Com PCB - 201/203iS	61896
30	Base	62009	49b	DC/AC Com PCB - 253iS	611254
			50	Thermal Switch 70°C	64215

Note: Item 34 may be located next to item 46.
 Item 49b includes Com PCB + Clamp PCB + Resistors + Thermostat.

SPARE PARTS Transtig AC/DC 353iS



Item	Description	Part No.	Item	Description	Part No.
1	Handle	66109	32a	Fuse PCB	61820
2	Lid	62441	32b	Fuse 16A Slow (32 x 6.3mm)	64241
3	LHS Panel	62443L	33	Thermal Switch 60°C	65776
4	Mains Filter PCB	61734	34	Lower Tray	62544
5	Divider Panel	62589	35	DC/AC Com PCB	61999
6	Inductor LH	61561	36	Foot	66501
8	Torch Switch Filter PCB	61049	37	Resistor 1.5k 50W (4)	65969
9	Aux Transformer (T1)	64303	38	Primary Inverter PCB	610488
10	Gas Hose	66160	39	Coupling	63191
11	Solenoid Valve	61703	40	HF Generator PCB	61895
12	Dins Socket	64274	41	HF Transformer PCB	61950
13	2p Socket	64103	42	Fan Guard	66098
14	14p Socket	64104	44	Fan	64182
17	μP Control PCB	610714	45	On/Off Switch	64154
18	Com Driver PCB	613300	46	Fuse Holder	64180
22	Knob d29	66208	47a	Fuse 6.3A Slow (32 x 6.3mm)	64207
24	Knob d22	66121	47b	Fuse 2A Slow (32 x 6.3mm)	64250
27	RHS Panel	62443R	48	Base	62590
28	Tx/Rect PCB	610509	49	Terminal Block	64144
29	Aux Transformer (T2)	64637	50	Strain Relief	66061
30	Shelf	62588	51	Thermal Switch 70°C	64215
31	Thermal Switch 80°C	65775	52	Inductor RH	61560

Double ribbon cable μP PCB to Pri Inv (2) 68081