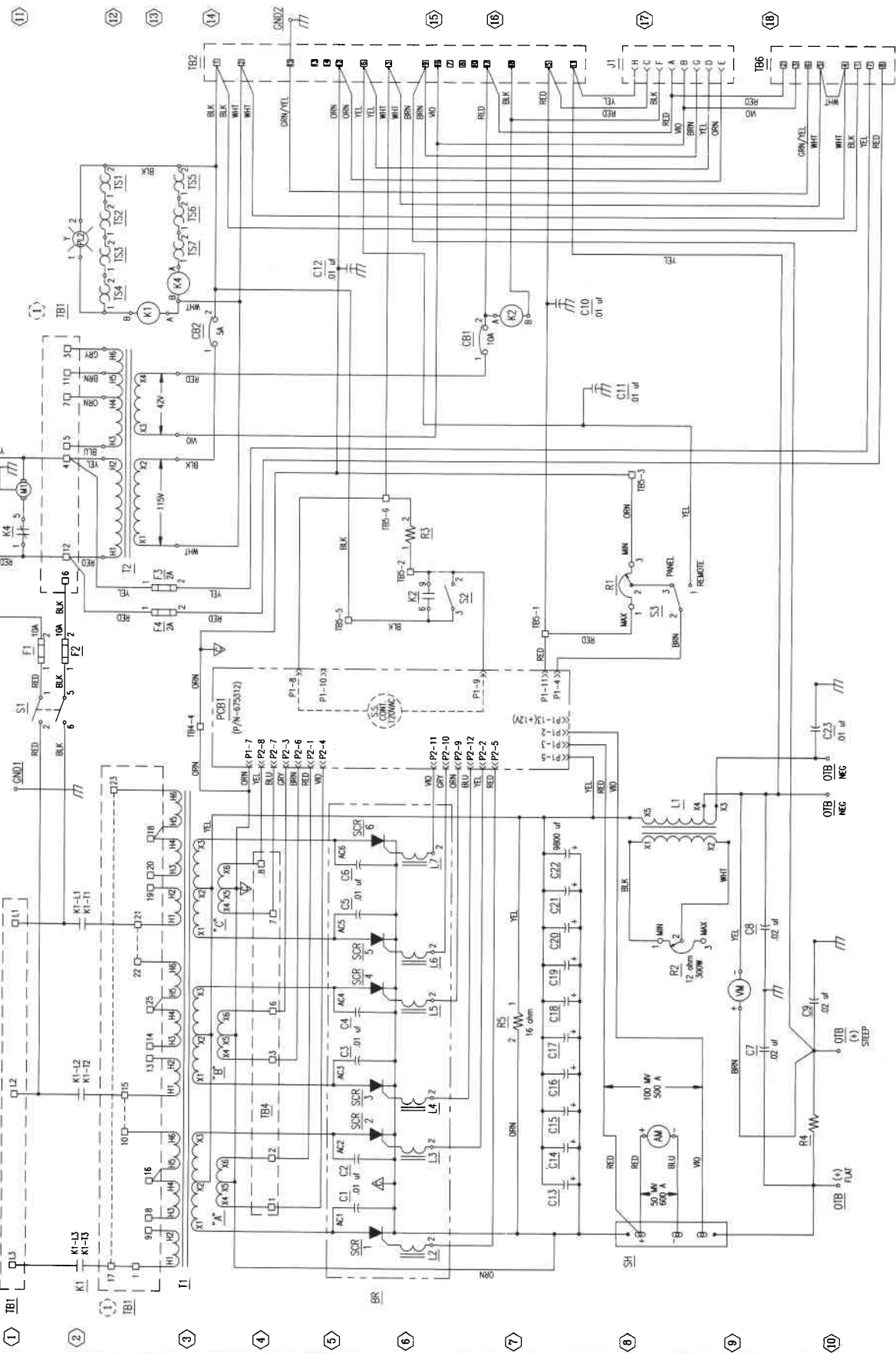


220/380/415 VOLTS, 3 PHASE, 50 Hz, W/EQUIPMENT GND



LEGEND

- 1 - TB1 TERMINAL BOARD
- 2 - S1 OUTPUT SWITCH
- 3 - F2 FUSE (10 AMP)
- 4 - K1 MAIN CONTACTOR
- 5 - T1 MAIN TRANSFORMER
- 6 - TB4 TERMINAL BOARD
- 7 - R2 BRIDGE
- 8 - S3 SCR THYRISTORS
- 9 - SH SHUNT
- 10 - M1 MOTOR
- 11 - FAN FAN MOTOR
- 12 - T2 CONTROL TRANSFORMER
- 13 - TS1 THERMAL SWITCH
- 14 - TS2 THERMAL SWITCH
- 15 - TS3 THERMAL SWITCH
- 16 - TS4 THERMAL SWITCH
- 17 - TS5 THERMAL SWITCH
- 18 - TS6 THERMAL SWITCH
- 19 - K1 MAIN CONTACTOR COIL
- 20 - F1 FUSE (2 AMP)
- 21 - CB1 CIRCUIT BREAKER (5 AMP)
- 22 - TB2 TERMINAL STRIP (18 POS)
- 23 - K2 DCY CHECK SWITCH
- 24 - C10 CAPACITOR (10 AMP)
- 25 - C12 CAPACITOR (42V RELAY)
- 26 - C11 CAPACITOR (VOLTAGE/CURRENT POTENTIOMETER)
- 27 - S3 REMOTE SWITCH (VOL/CURR)
- 28 - J1 CONTROL RECEPTACLE
- 29 - TB6 TERMINAL STRIP REAR PNL (8 POS)

Not Shown

TS8 - Thermal switch in series with TS5, 6, 7

Fig. 8 Transmig 505 Circuit Diagram

## Transmig 505 Parts List

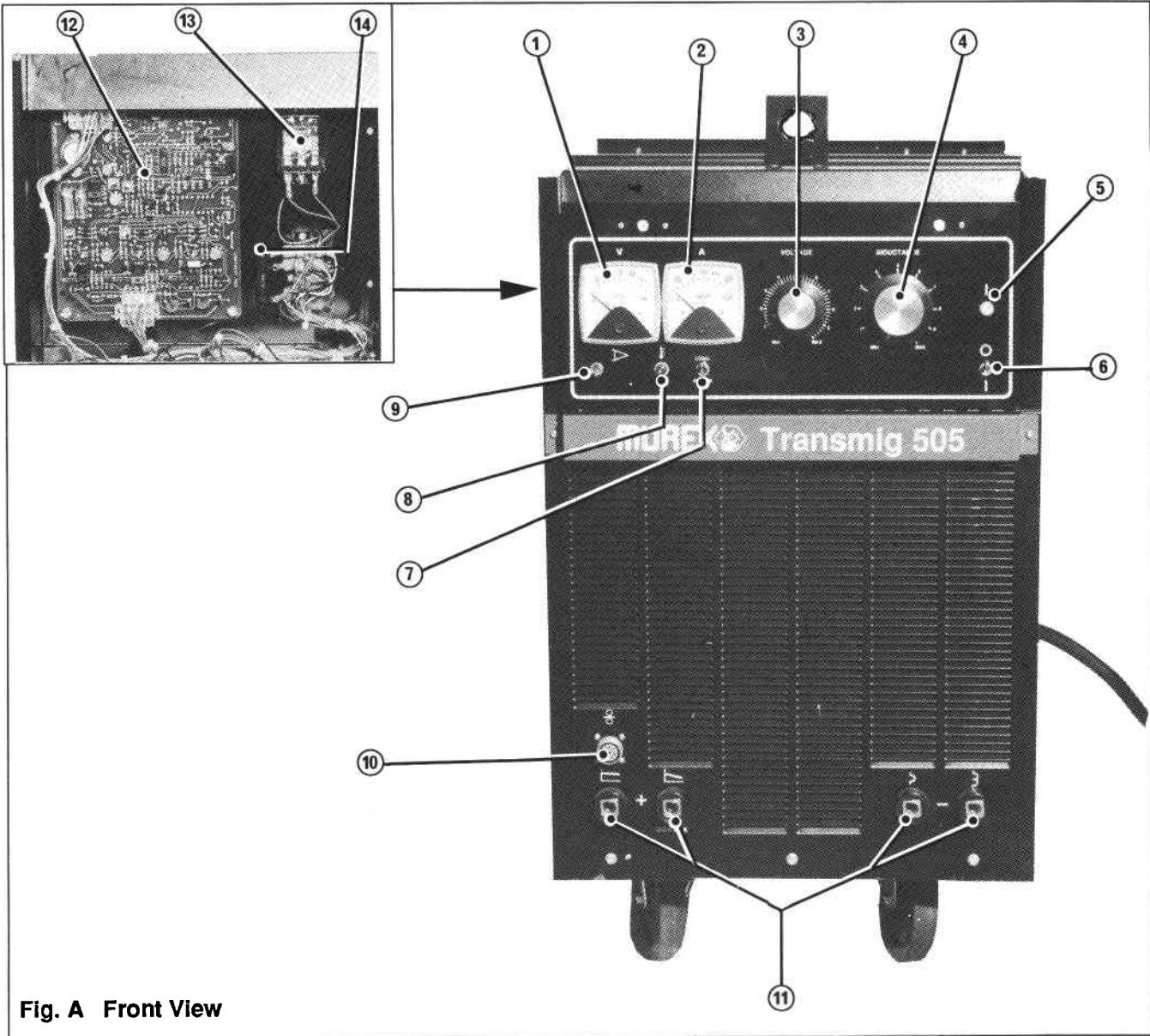


Fig. A Front View

Item	Part No.	Description	Ref.	Item	Part No.	Description	Ref.
1	1414840	Voltmeter 60Vdc	VM	10	1411754	8 way socket	J1
2	1414841	Ammeter 600A 50mV	AM	-	1411740	Plug for item 10	-
3	1407182	Potentiometer 10kΩ lin	R1	11	017242	Dinse socket	OTB
-	1414844	Knob for item 3	-	-	1380443	Plug for item 11 (70/95)	-
4	1414845	Rheostat 12Ω 300W	R2	<b>Inset</b>			
-	1414846	Knob for item 4	-	12	1414847	Control pcb	PCB1
5	1413274	Lamp white	PL1	13	1413343	Relay 42Vac 3PDT	K2
6	1413343	Switch 3PST	S1	14	-	Resistor 2kΩ 12W	R3
7	1411867	Switch SPCO	S3				
8	1414842	Lamp yellow	PL2				
9	1414861	Switch SPSTBO	S2				

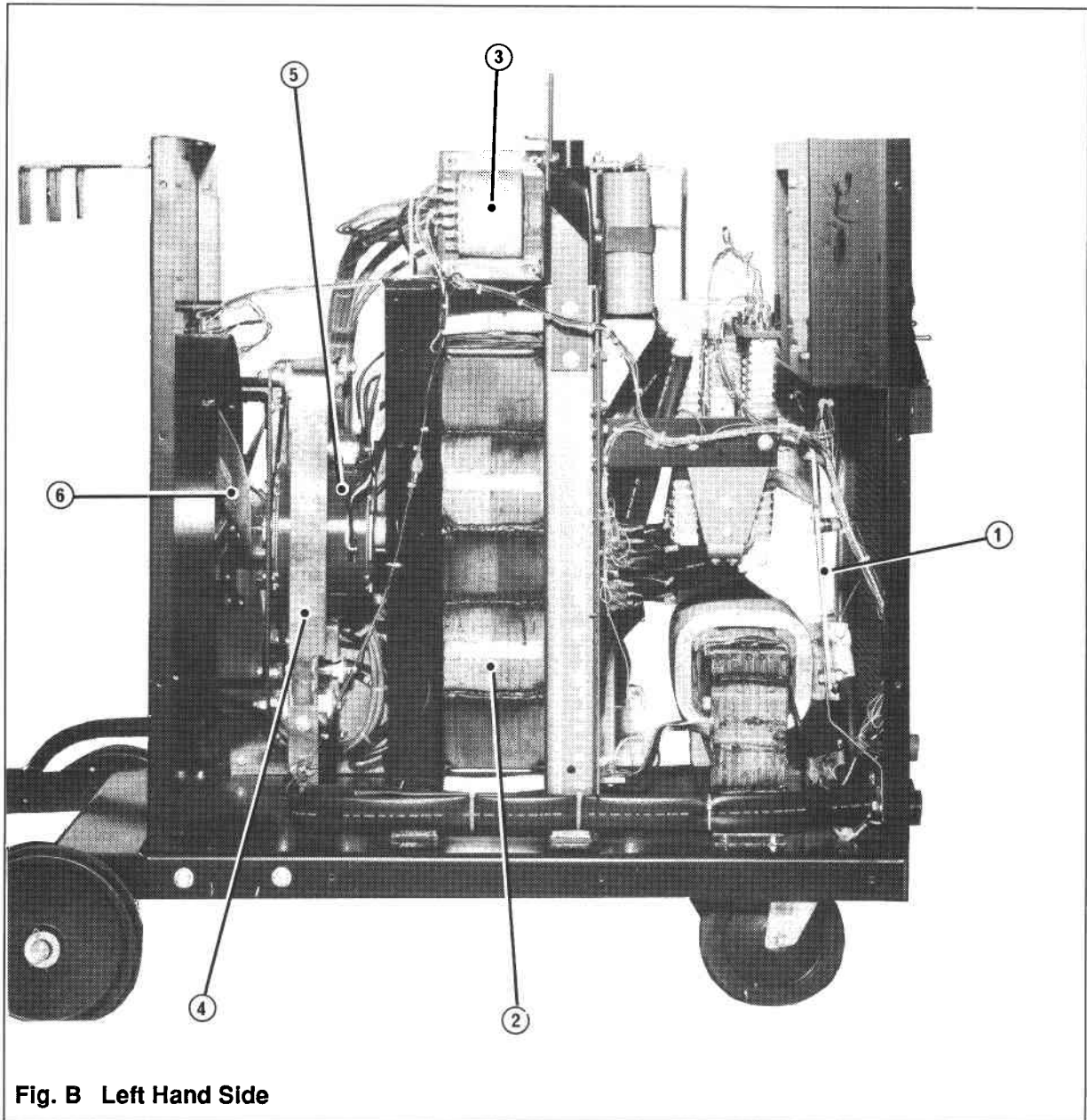


Fig. B Left Hand Side

Item	Part No.	Description	Ref
1	1414848	Shunt 100mV 500A	SH
-	1414858	Thermal switch (O'load)	TS1,2,3, 4
-	1414859	Thermal switch (Fan)	TS5,6,7,8
2	1414853	Transformer main 220/380/415V	T1
-	1414864	Thermal switch for item 2	TS
3	1414854	Transformer control	T2
4	1414857	Slope resistor assembly	R4
-	1414860	Disc & spool insulator kit for item 4	-
5	1414855	Fan motor	M1
6	1414856	Fan blade	-
-	1413350	Fan control relay	K4

} Shunt, Main Tx,  
Thyristor stack  
Slope resistor

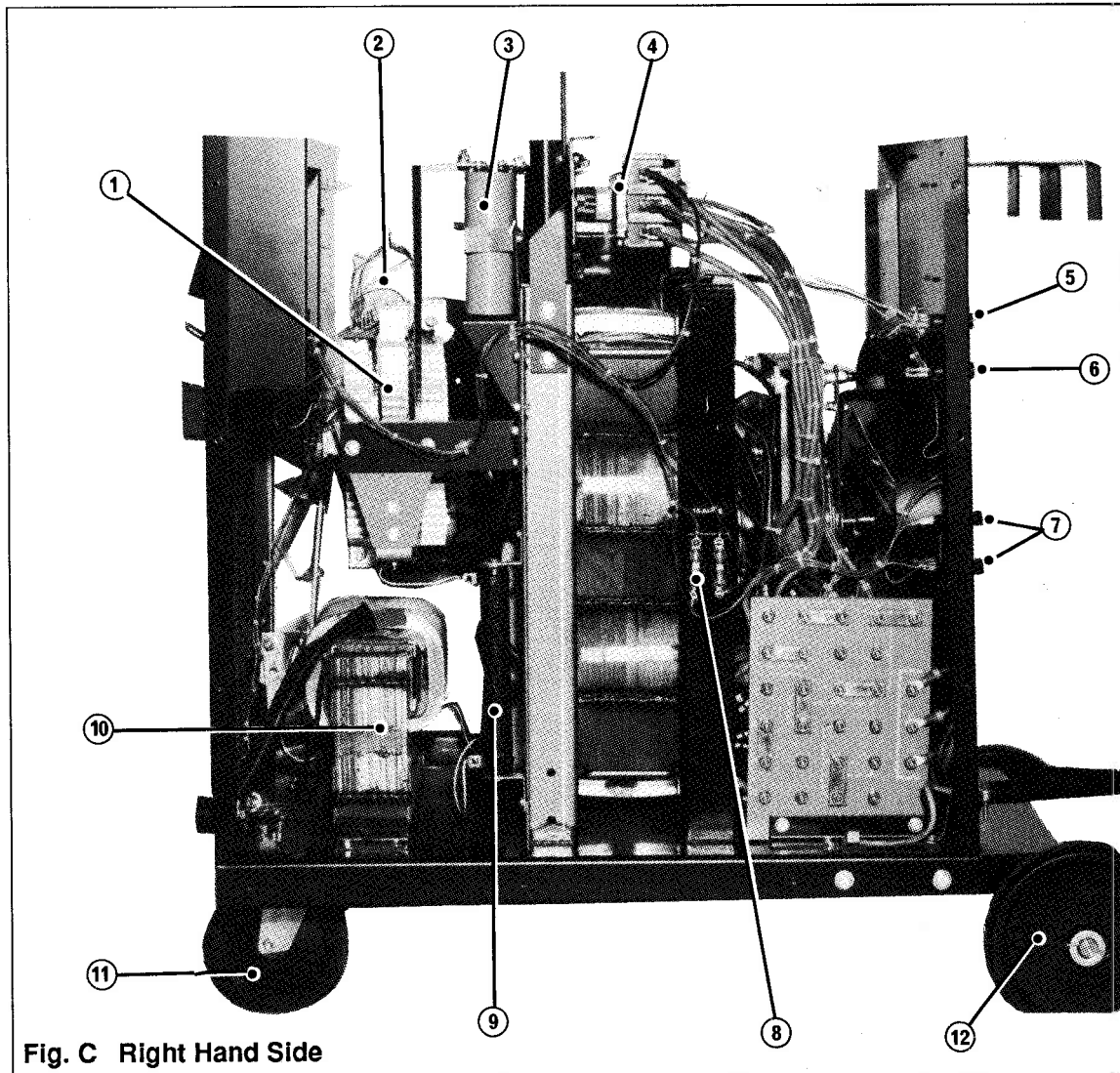


Fig. C Right Hand Side

Item	Part No.	Description	Ref	Item	Part No.	Description	Ref.
1	1414851	Thyristor 250A (6 required)	SCR1 - 6	8	-	Fuse 10A 600V 10 x 38mm (2 required)	F1, F2
2	-	Capacitor 0.01 $\mu$ F 1Kv disc	C1 - 6	9	1414863	Resistor 16 $\Omega$ 300W	R5
3	1414850	Capacitor 9800 $\mu$ F (10 reqd.)	C13 - C22	10	1414852	Inductor	L1
4	1414862	Contactora 110v	K1	11	1414849	Castor wheel (2 required)	-
5	1407758	Circuit breaker 10A	CB1	12	1412203	Fixed wheel (2 required)	-
6	1413622	Circuit breaker 5A	CB2	-	-	Capacitor 0.02 $\mu$ F 1Kv disc	C7-9
7	1411873	Fuseholder (2 required)	-	-	-	Capacitor 0.01 $\mu$ F 1Kv disc	C10-12,23
-	-	Fuse 2A slow 1.1/4" for item 7	F3, F4	-	-		

OPTIONAL EXTRAS

	Part No.		Part No.
OCE 2H Torch Water Cooling Unit (220V)	1414013	CO2 Heater (115V)	1020019
Water Hoses (2 required)	1414014	Digital Volt/Ammeter	
Water Adaptor Kit (for WFU)	1413647	(excludes installation)	TBA