

PARTS LISTS

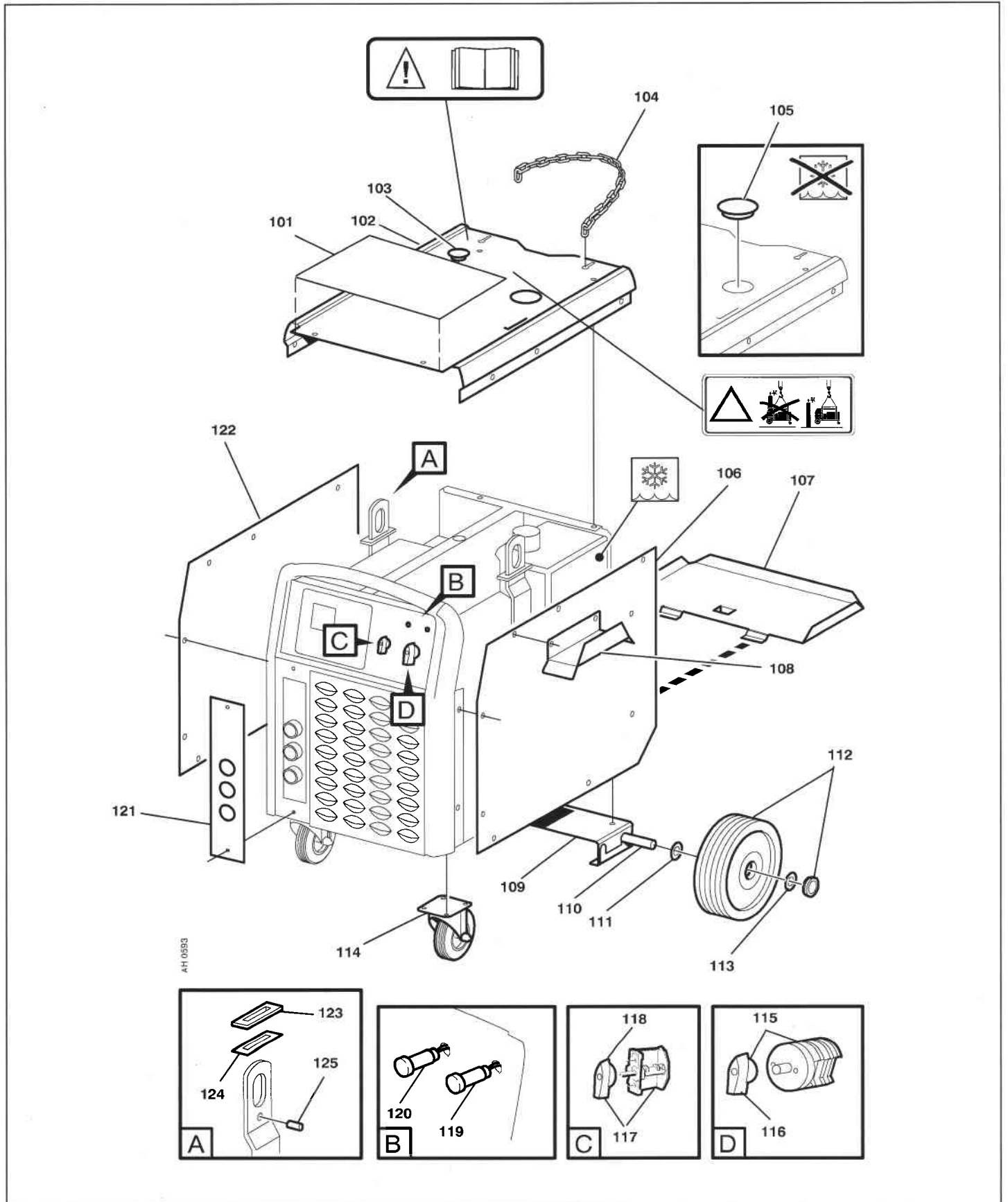
Transmig 423S/523S(W)

C = component designation in the circuit diagram

Item	Qty	Ordering no.	Denomination	Notes	C
101	1	0349 302 296	Rubber mat		
102	1	0349 302 264	Cover		
103	1	-	Blind plug	Ø 31	
104	1	0321 173 001	Securing chain	L=700	
105	1	-	Blind plug	Ø 66	
106	1	0349 493 359	Side panel with text	Right	
107	1	0349 302 267	Shelf		
108	1	-	Holder	For further information see page 199.	
109	2	0349 302 268	Clamp		
110	2	0469 516 005	Shaft		
111	2	0215 100 037	Washer	Ø 36/21x3mm	
112	2	0469 872 001	Wheel	Ø 250mm	
113	1	0192 859 126	Locking washer		
114	1	0469 873 001	Link wheel	Ø 125mm h=150mm	
115	1	0349 302 254	Switch	For 400-415V mains voltage	QF1
116	1	0349 302 306	Knob		
117	1	0349 302 305	Switch	Only 'W' versions	SA1
118	1	0349 302 253	Knob	Only 'W' versions	
119	1	0369 733 007	Signal lamp	42 VAC, white	HL1
120	1	0369 733 005	Signal lamp	Yellow	V7
121	1	0349 302 384	OKC plate		
122	1	0349 493 358	Side panel with text	Left	
123	1	0468 797 001	Seal		
124	1	0468 796 001	Support plate		
125	1	0211 103 005	Roll pin	Ø 8x28	

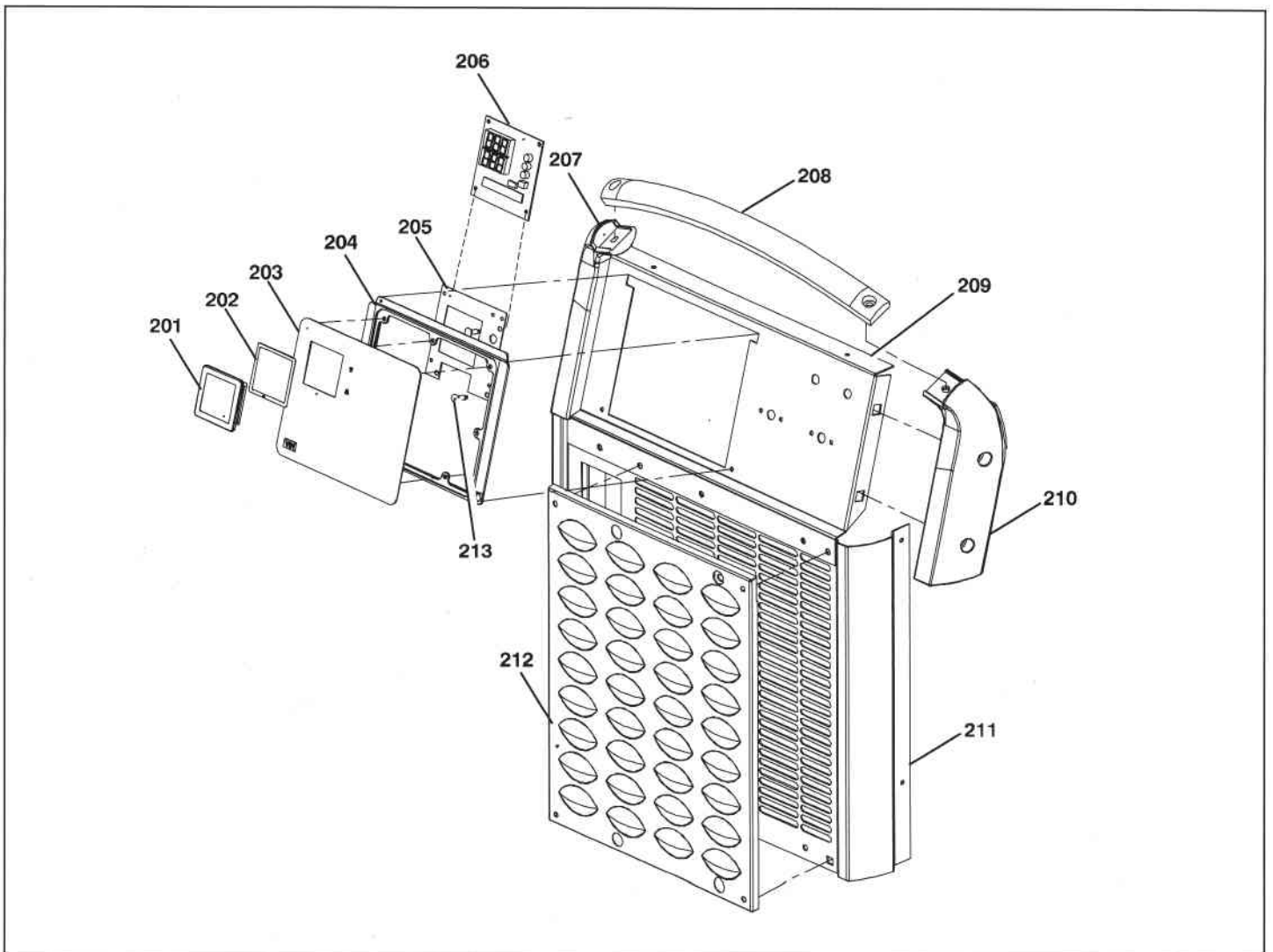


Transmig 423S/523S(W)



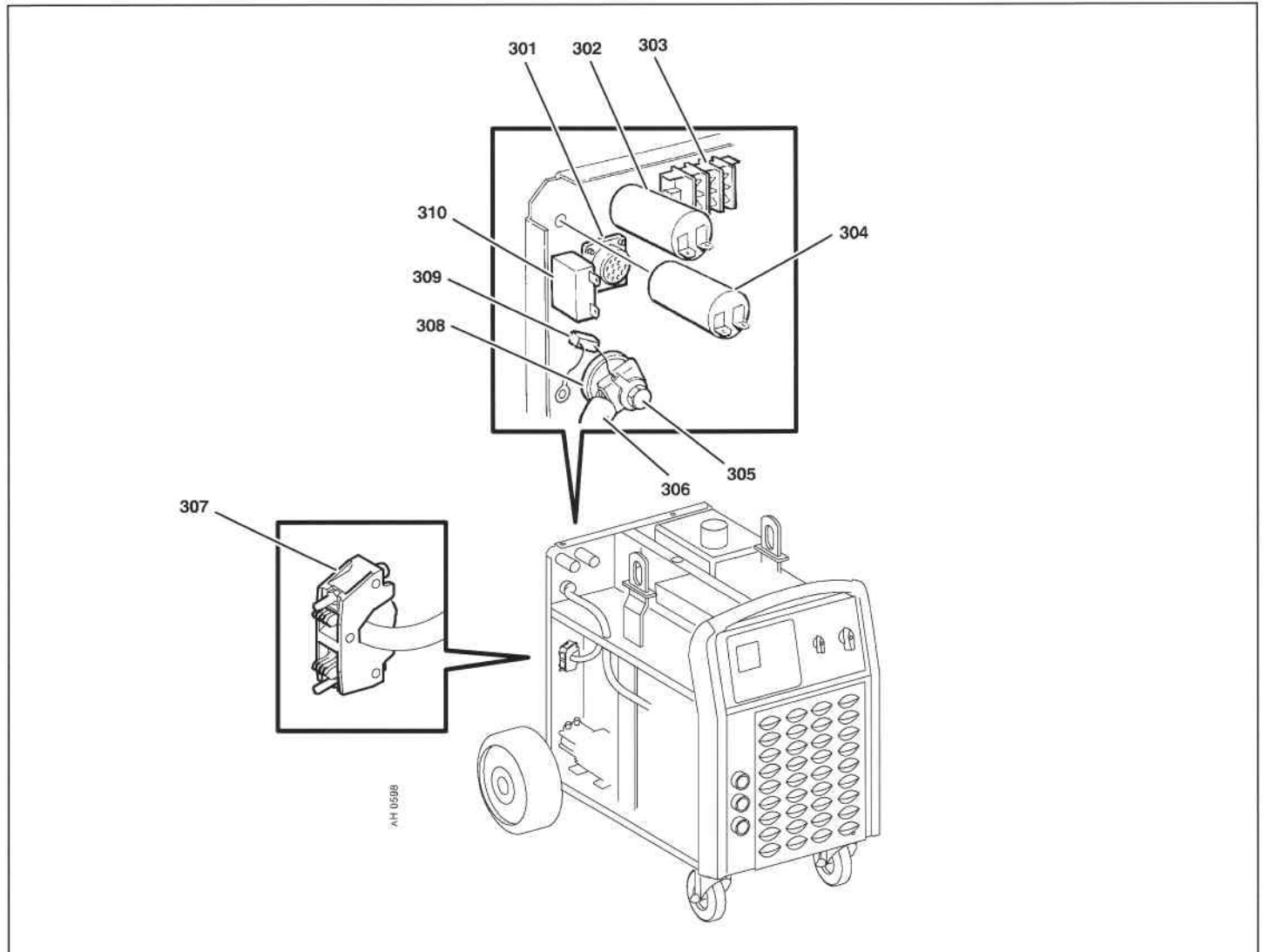
C = component designation in the circuit diagram

Item	Qty	Ordering no.	Denomination	Notes	C
201	1	0455 172 001	Glass		
202	1	0455 174 001	Seal		
203	1	0349 302 286	Panel		
204	1	0459 118 001	Protection frame		
205	1	0349 302 287	Plate		
206	1	-	Circuit-board	Included in Digital instrument. See page 198.	P1
207	1	0349 302 283	Plate right corner		
208	1	0349 302 284	Handle		
209	1	0349 302 281	Upper front panel	423S/523S	
	1	0349 302 288	Upper front panel	423SW/523SW	
210	1	0349 302 282	Plate left corner		
211	1	0349 302 280	Lower front plate		
212	1	0349 302 285	Grill		
213	3	0455 226 040	Spacer		



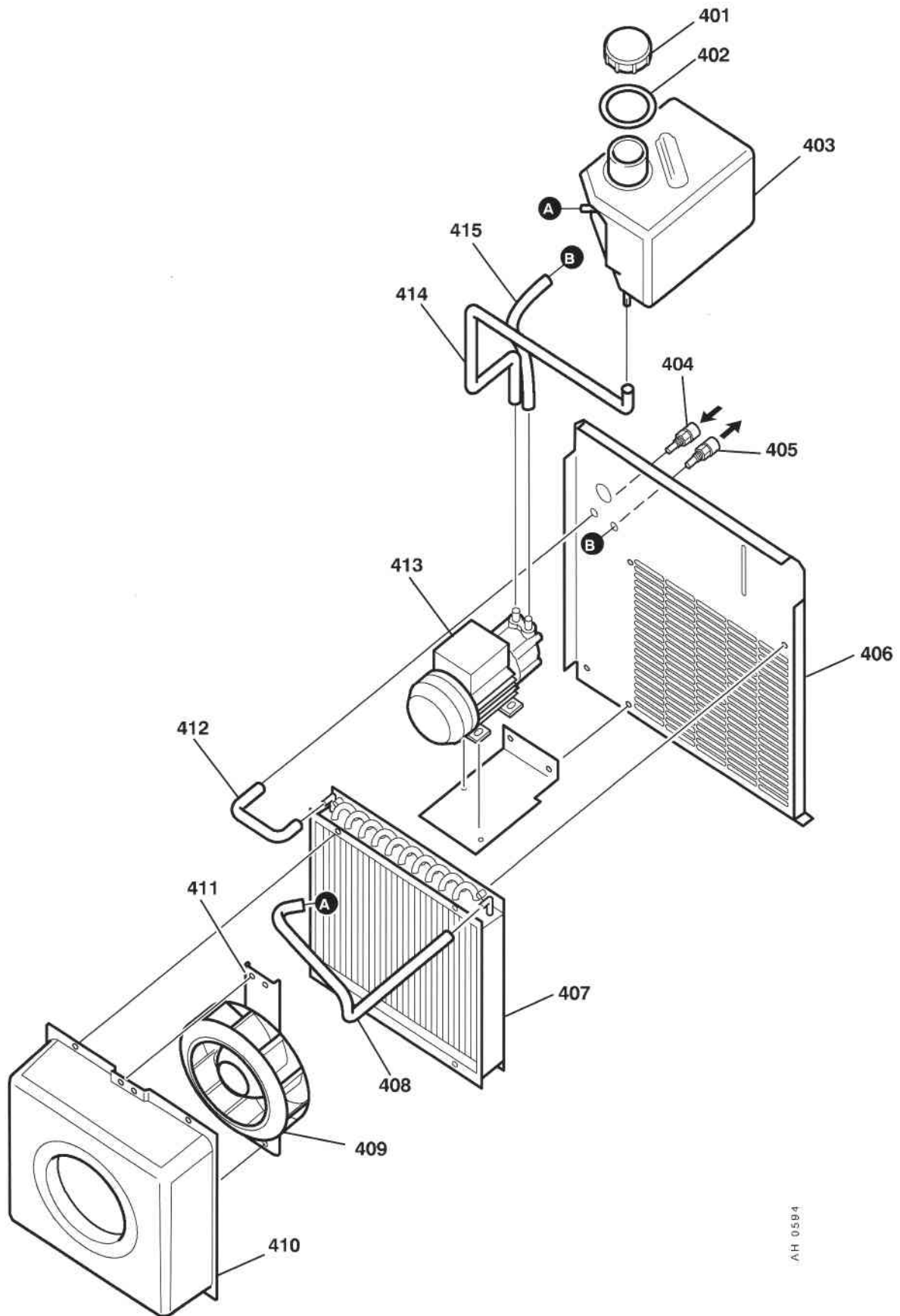
C = component designation in the circuit diagram

Item	Qty 423	Qty 523	Ordering no.	Denomination	Notes	C
301	1	1	0368 544 005	Sleeve socket	23 pole	XS1
			0323 945 003	Sleeve		
302	1	1	0191 085 206	Capacitor	6µf 400V	C6
303	1	1	0466 884 006	Connection block	6 pole	
304	1	1	0191 085 203	Capacitor	3µf 400V	C1
305	1	1		Screw	M10x30	
306	1	-	0469 879 880	Cable set	A=75mm ²	
-	1		0469 879 881	Cable set	A=95mm ²	
307	1	1	0469 950 880	Cable inlet		
308	4	4	0160 362 881	Current terminal	1 pole	XS2, XS3, XS4, X35
309	2	2	0467 911 882	Capacitor	0.1µf 250V, with cable lugs	C2, C3
310	1	1	0193 586 102	Circuit breaker	10A	FU1



C = component designation in the circuit diagram

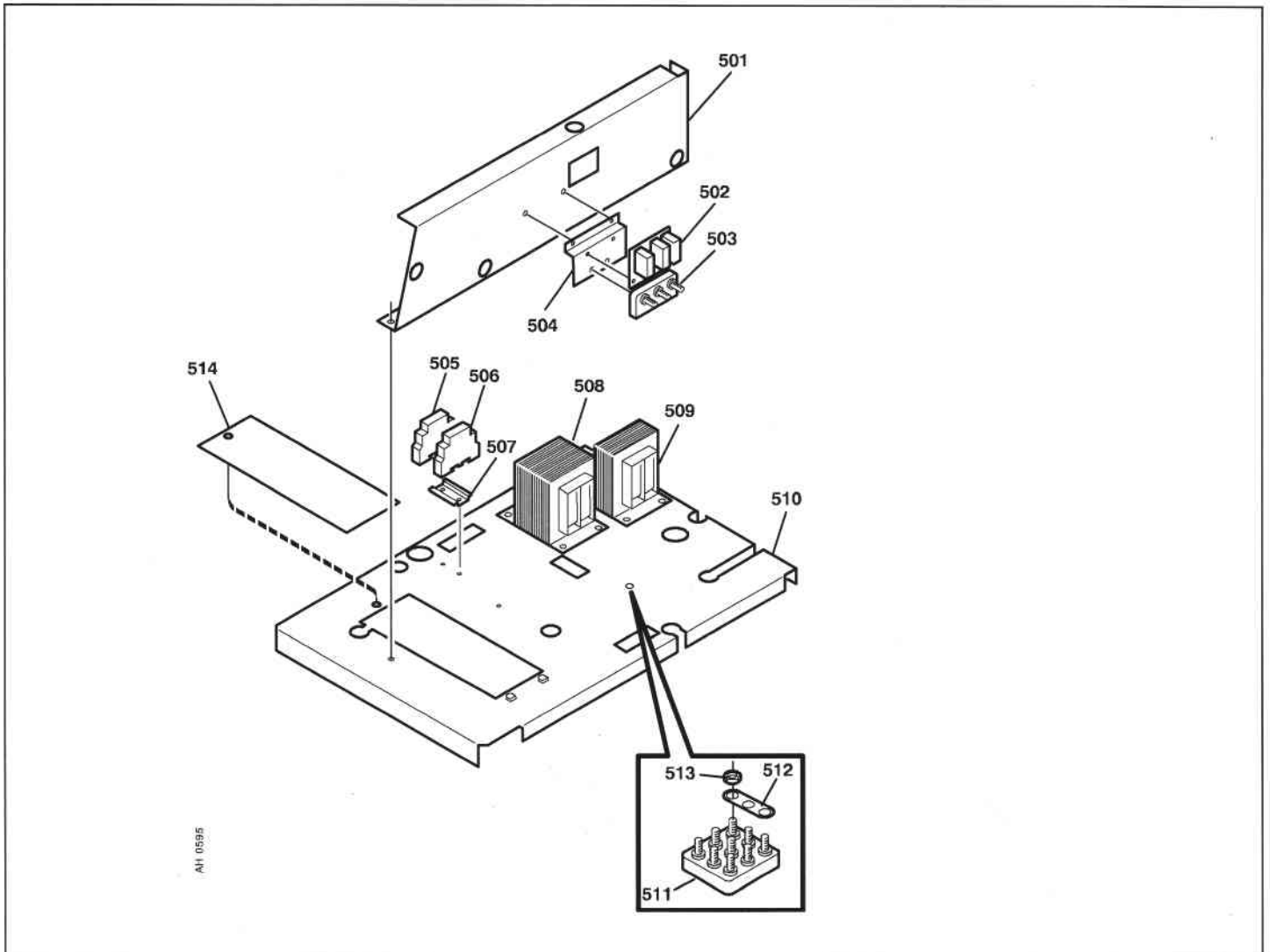
Item	Qty S	Qty SW	Ordering no.	Denomination	Notes
401	-	1	0469 689 002	Cover	
402	-	1	0366 481 004	Seal	
403	-	1	0469 689 001	Water tank	
404	-	1	0365 803 011	Quick connection	Female, red, with non-return valve
405	-	1	0365 803 012	Quick connection	Female, blue, with non-return valve
406	1	1	0349 302 275	Rear panel	
407	-	1	0469 688 001	Cooler	
408	-	1	0349 302 276	Hose	L = 530mm, to be ordered per metre
409	1	1	0369 827 001	Fan	
410	1	1	0469 893 001	Fan housing	
411	1	1	0455 165 001	Attachment	
412	-	1	0349 302 277	Hose	L = 350mm, to be ordered per metre
413	-	1	0469 692 001	Pump	
414	-	1	0349 302 279	Hose	L = 750mm, to be ordered per metre
415	-	1	0349 302 278	Hose	L = 450mm, to be ordered per metre



AH 0584

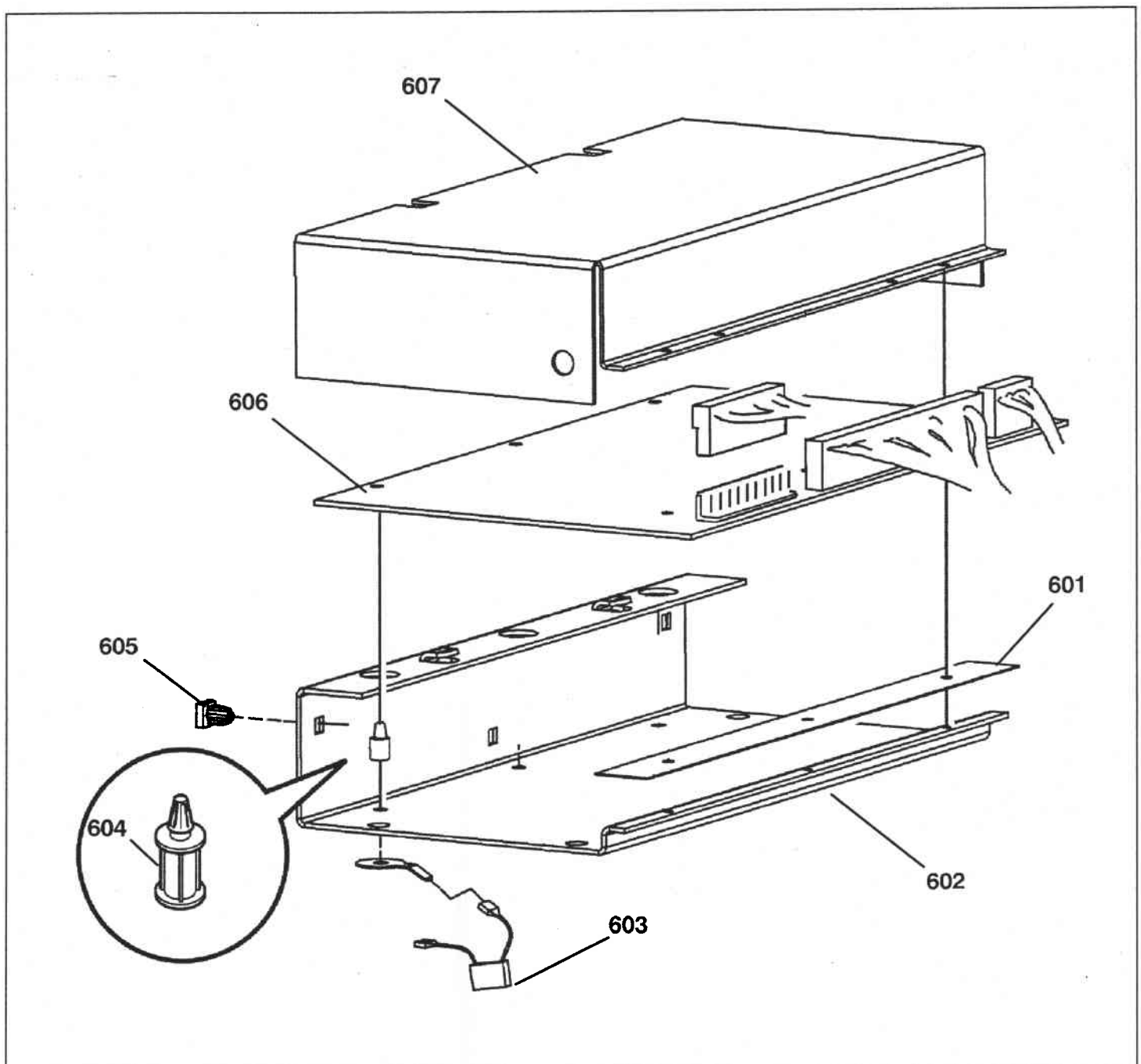
C = component designation in the circuit diagram

Item	Qty	Ordering no.	Denomination	Notes	C
501	1	0349 302 273	Centre plate		
502	1	0486 216 880	Suppressor board		AP2
503	1	0162 772 001	Connection block		
504	1	0469 701 001	Attachment		
505	1	0193 927 001	Contacteur		KM2
506	1	0349 302 274	Contacteur	Only 'W' versions	KM3
507	1	0349 302 308	Rail		
508	1	0469 882 001	Control transformer	400-415V mains voltage	TC1
509	1		Transformer (A)	For further information see page 199.	TC2
510	1	0349 302 272	Intermediate plate		
511	1	0469 899 001	Terminal	230-500V mains voltage	XT1
512	1	0457 908 001	Jumper		
513	24		Nut	M8	
514	1	0349 302 298	Cover		



C = component designation in the circuit diagram

Item	Qty	Ordering no.	Denomination	Notes	C
601	1	0191 193 118	Tape	To be ordered per metre, 0.31 metre as delivered.	
602	1	0349 302 299	Box		
603	1	0467 911 882	Capacitor	0.1µf 250V, with cable lugs	C4
604	3	0394 516 031	Spacer screw	M5	
605	3	0194 019 005	Insulating washer		
	2	0193 517 344	Screw		
606	1	0486 480 884	Circuit board		AP1
607	1	0349 302 300	Cover		



C = component designation in the circuit diagram

Item	Qty 423	Qty 523	Ordering no.	Denomination	Notes	C
701	1	1	0469 878 881	Shunt	60mV/600A	RS1
702	1	1	0469 861 884	Cable set		
703	3	3	0469 693 880	Suppressor	RC filter	Z1-Z6
704	3	3		Thyristor module	See item 750. For fitting instructions see the service manual.	V1-V6
				Thermal paste	For fitting of thyristor modules, see item 750.	
705	1	-	0349 302 260	Transformer	400-415V mains voltage	TM1
	-	1	0349 302 255	Transformer	400-415V mains voltage	TM1
706	1	-	0349 302 257	Inductor		L2
-	1	-	0349 302 292	Inductor		L2
707	1	1		Screw	M10x40	
708	4	4		Spring washer	Ø 20/10.2x2	
709	5	5		Washer	Ø 22/10.5x2	
710	1	-	0349 302 270	Inductor	Interphase transformer	L1
-	1		0349 302 271	Inductor	Interphase transformer	L1
711	1	1		Nut	M10	
712	3	3	0160 362 881	Current terminal	1 pole	XS2, XS3, XS5
713	3	3		Screw	M10x30	
714	1	1		Washer	With flat pin connection Ø 6.3x0.8, M10	
715	1	1	0349 302 352	Capacitor	0.1µf 250V, with cable lugs	
716	1	1	0349 302 289	Plate		
717	1	1	0455 217 001	Attachment		

Spare Parts Set

Item	Ordering no.	Denomination	Notes
750	0455 157 001	Thyristor modules	Includes a set of 3 thyristors with screws, washers, spring washers, thermal paste, roller and mounting instruction.
-	0458 910 002	Roller handle	For the roller in the spare parts set above.

