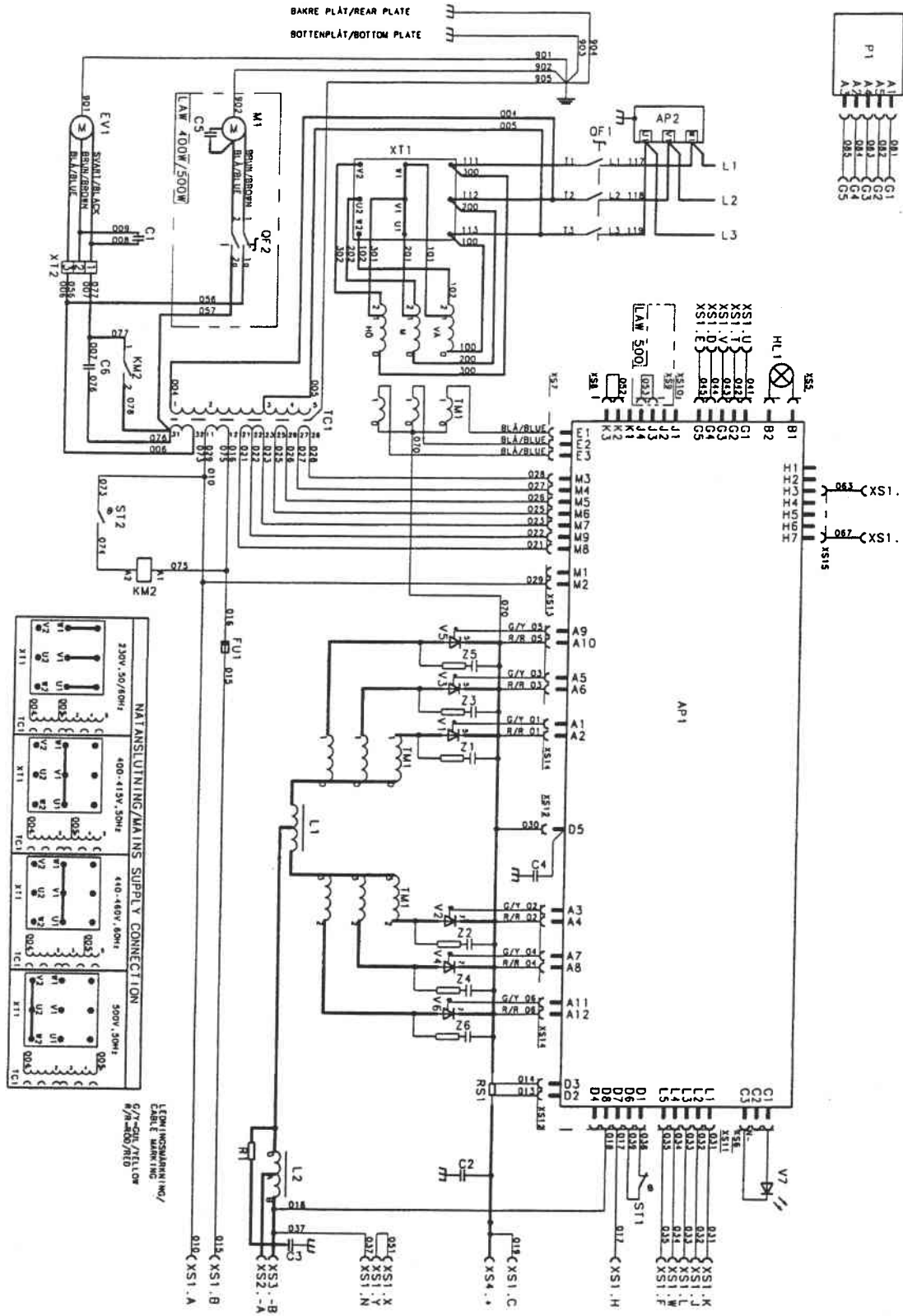


Transmig 403/403W/503/503W (230-500V 50 Hz, 230-460V 60 Hz)



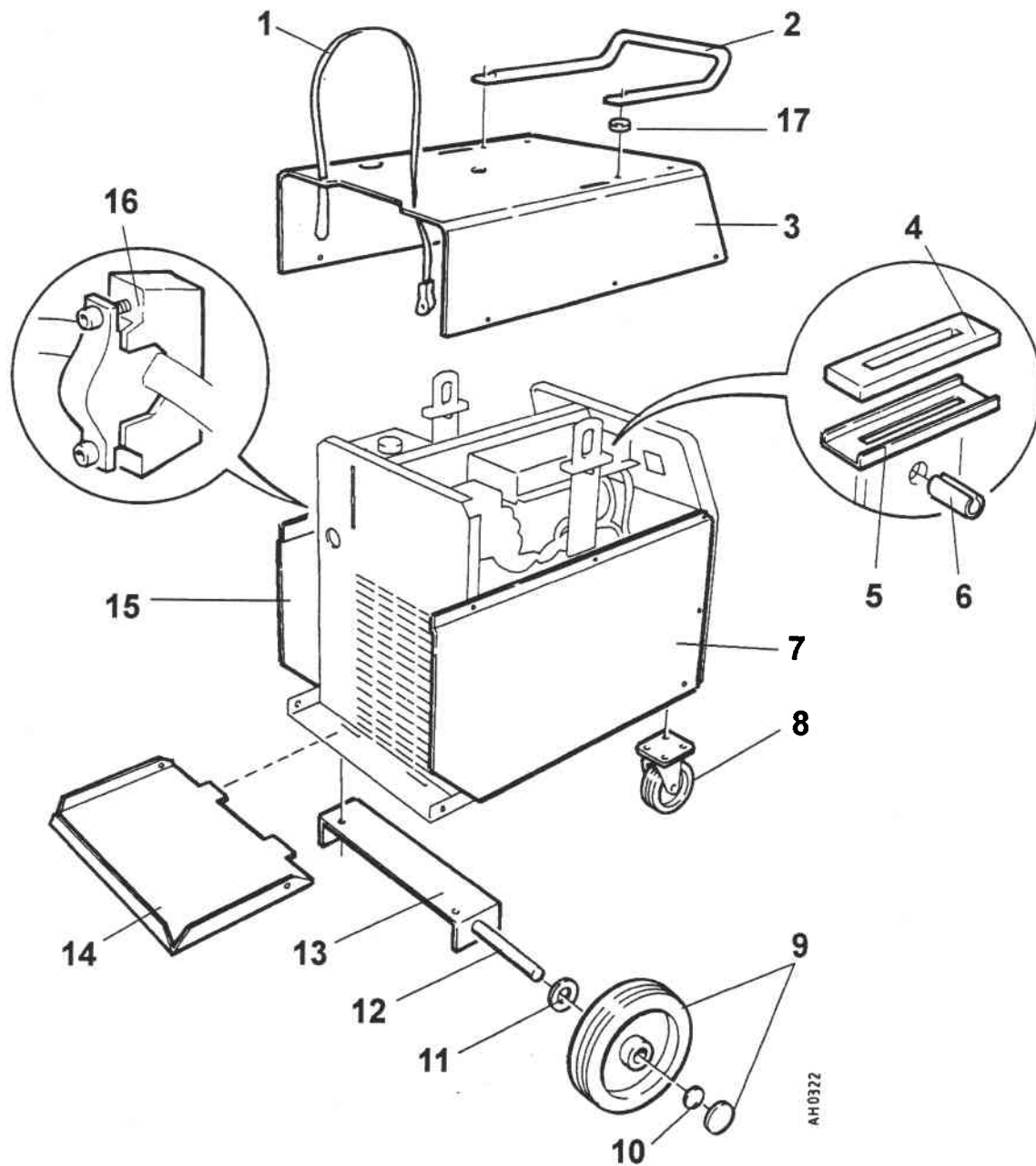
ba11e001



SPARE PARTS

Transmig 403/403W/503/503W

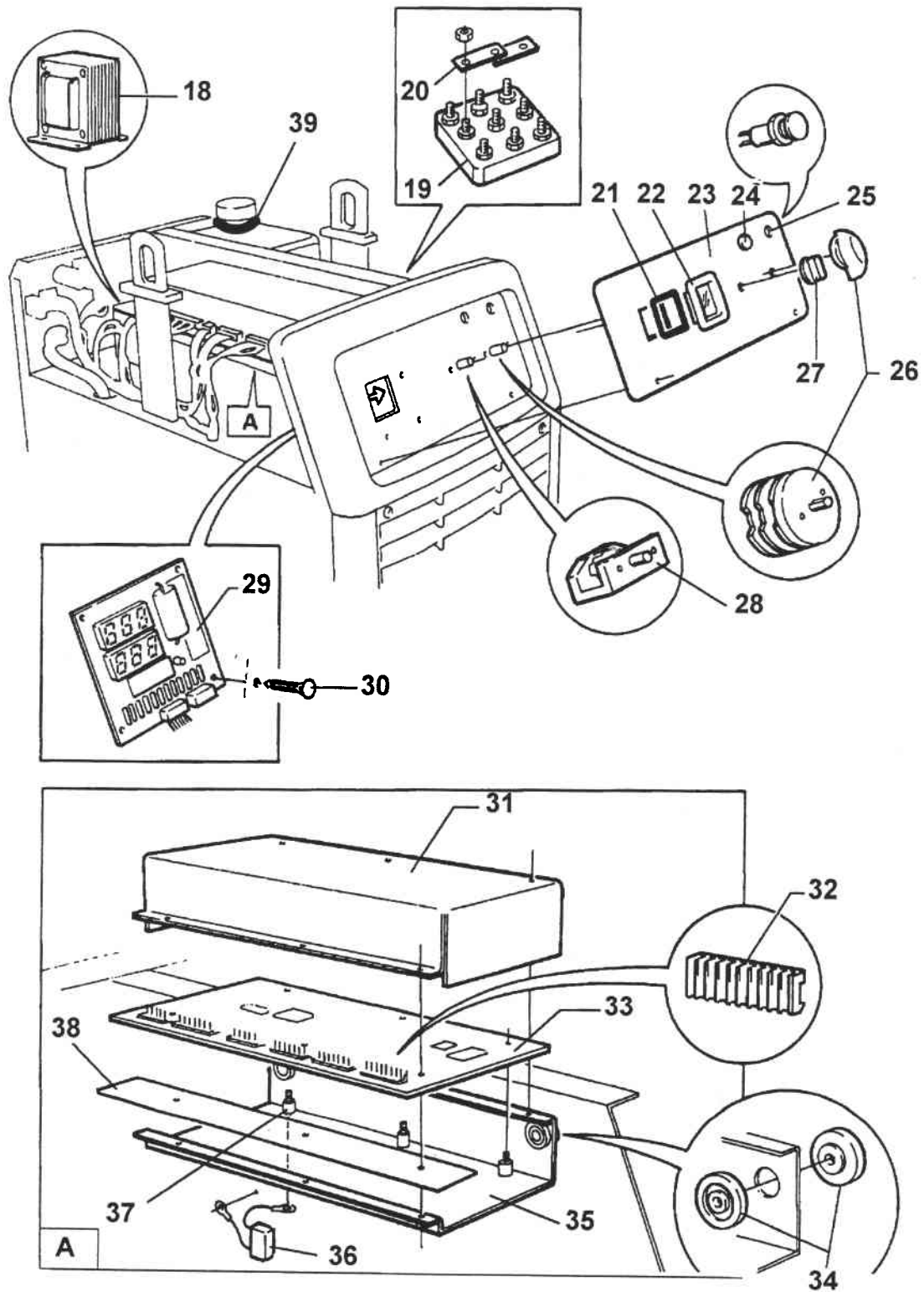
Item no.	Qty	Ordering no.	Denomination	Notes
1	1	368 265-002	Securing strap	
2	1	469 868-002	Handle	
3	1	469 681-002	Cover	
4	2	468 797-001	Seal	
5	2	468 796-001	Support plate	
6	2	211 103-005	Roll pin	∅ 8x28
7	1	455 811-001	Side panel with text	Left
8	2	469 873-001	Castor wheel	∅ 125mm h=150mm
9	2	469 872-001	Wheel	∅ 250mm
10	2	192 859-126	Locking washer	
12	1	469 516-002	Shaft	
13	1	469 685-001	Clamp	
14	1	469 684-001	Shelf †56683001	
15	1	456 023-001	Side panel with text	Right
16	1	469 950-880	Cable inlet	
17	4	366 481-002	Seal	



AH0322



Item no.	Qty 403	Qty 503	Ordering no.	Denomination	Notes	C
18	1	1	469 882-001	Control transformer	400-415 V mains voltage	TC1
	1	1	455 306-001	Control transformer	230-500 V mains voltage	TC1
19	1	1	469 899-001	Terminal	230-500 V mains voltage	XT1
20	2	2	469 899-002	Jumper		
21	1	1	455 174-001	Seal		
22	1	1	455 172-001	Protection glass		
23	1	-	456 417-001	Panel with text	Transmig 403	
	1	-	456 418-001	Panel with text	Transmig 403W	
	-	1	456 419-001	Panel with text	Transmig 503	
	-	1	456 420-001	Panel with text	Transmig 503W	
24	1	1	455 201-002	Light-emitting diode	Yellow	V7
25	1	1	455 201-001	Indicating lamp	42 VAC, white	HL1
26	1	-	455 158-001	Switch	400-415 V mains voltage	QF1
	1	-	455 159-001	Switch	230-500 V mains voltage	QF1
	-	1	455 159-001	Switch	400-415 V mains voltage	QF1
	-	1	455 160-001	Switch	230-500 V mains voltage	QF1
27	1	1	366 296-003	Knob	Only 403W/503W	
28	1	1	366 295-002	Switch	Only 403W/503W	QF2
29	1	1	455 173-881	Digital instrument	Option, complete	PI
	1	1	486 212-880	Circuit board	For digital instrument	
30	3	3	455 226-010	Spacer	For circuit board	
31	1	1	455 211-001	Cover		
32	1	1	193 260-061	Connector	2-pole XS5	
	1	1	193 260-062	Connector	3-pole XS6	
	2	2	193 260-151	Connector	3-pole XS7,XS8	
	-	1	193 260-152	Connector	4-pole XS9	
	2	2	193 260-153	Connector	5-pole XS10,XS11	
	1	1	193 260-156	Connector	8-pole XS12	
	1	1	193 260-157	Connector	9-pole XS13	
	1	1	193 260-071	Connector	12-pole XS14	
33	1	1	486 291-880	Circuit board	486 180 884	AP1
34	4	4	153 043-002	Insulating washer		
35	1	1	455 210-001	Box		
36	1	1	467 911-882	Capacitor	0.1 μ F 250 V, with cable lugs	C4
37	3	3	394 516-031	Spacer screw	M5	
38	1	1	191 193-118	Tape	To be ordered per meter	
39	1	1	366 481-003	Seal	Only for machines with water cooler	



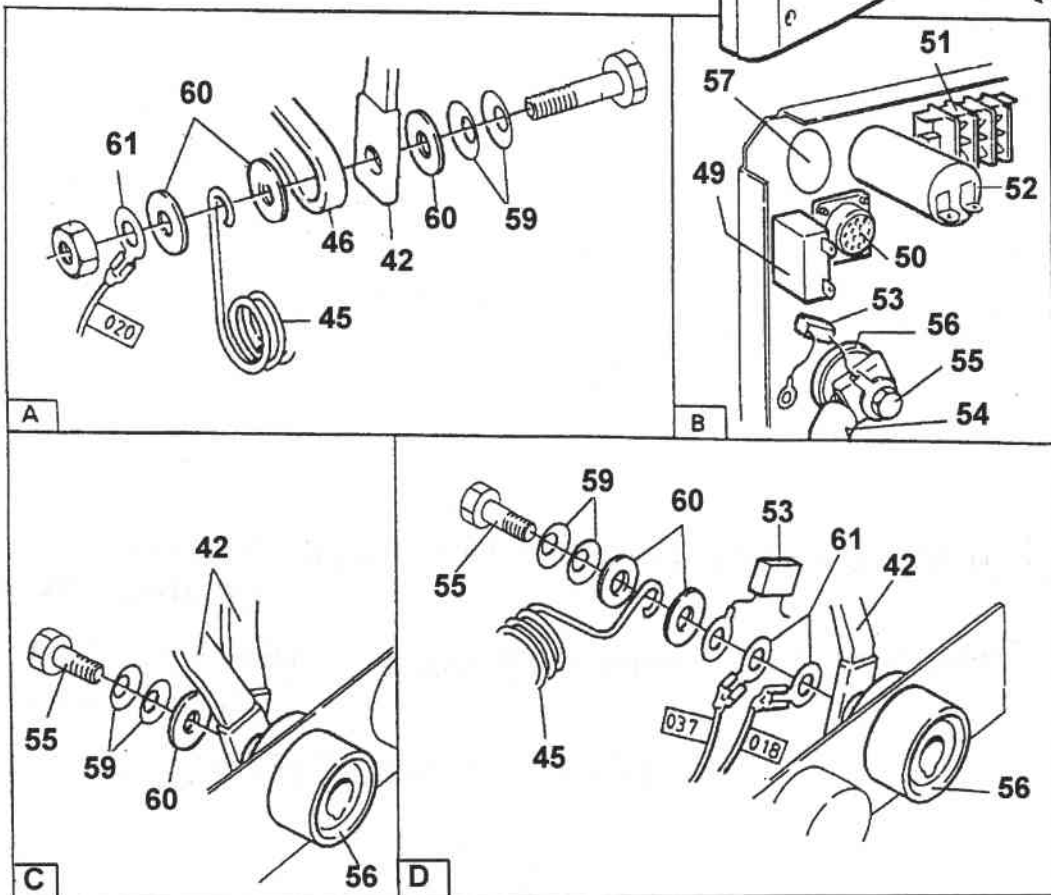
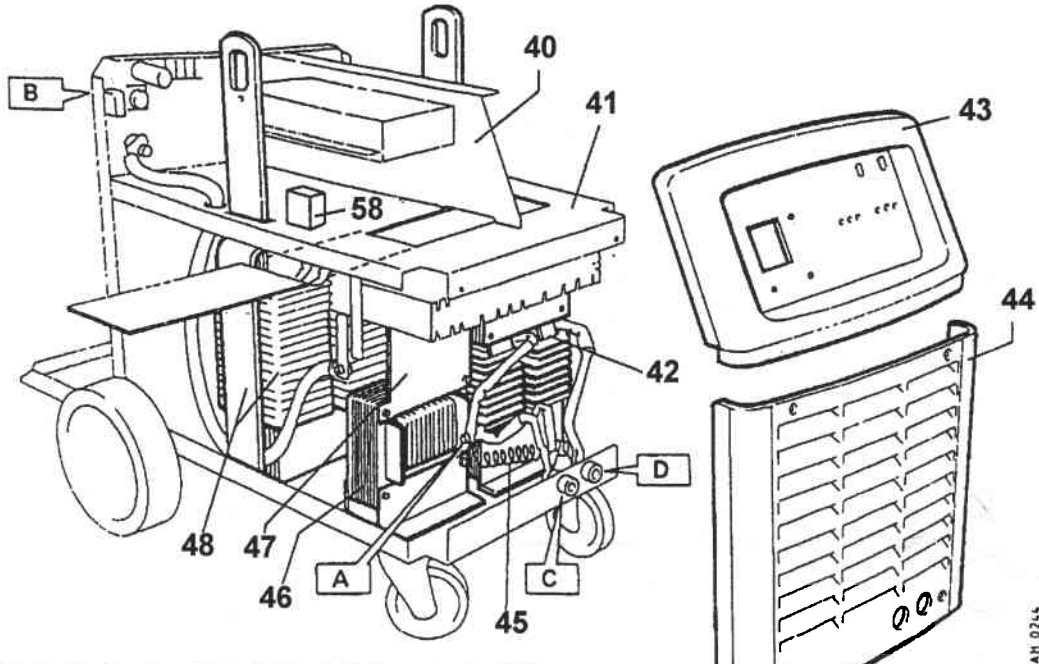
Item no.	Qty 403	Qty 503	Ordering no.	Denomination	Notes	C
40	1	1	469 678-001	Centre plate		
41	1	1	469 675-001	Intermediate plate		
42	1	-	469 876-880	Inductor		L2
	-	1	469 876-881	Inductor		L2, ST1, ST2
43	1	1	469 704-002	Front panel		
44	1	1	469 703-002	Front grill		
45	1	1	469 888-001	Resistor	0.43Ω	R1
46	1	-	469 696-880	Inductor		L1, ST1, ST2
	-	1	469 697-880	Inductor		L1
47	1	1	455 217-001	Attachment		
48	1	-	469 885-880	Transformer	400-415 V	TM1
	1	-	455 220-880	Transformer	230-500 V	TM1
	-	1	469 890-880	Transformer	400-415 V	TM1
	-	1	455 225-880	Transformer	230-500 V	TM1
49	1	1	193 586-102	Circuit breaker	10 A	FU1
50	1	1	368 544-005	Sleeve socket	23-pole	XS1
			323 945-003	Sleeve		
51	1	1	466 884-003	Connection block	3-pole	XT2
52	1	1	191 085-203	Capacitor	3 μF 400 V	C1
53	2	2	467 911-881	Capacitor	0.1 μF 250 V, with cable lugs	C2,C3
54	1	-	469 879-880	Cable set	A=50mm ²	
	-	1	469 879-881	Cable set	A=95mm ²	
55	3	3		Screw	M10x30	
56	3	3	160 362-881	Current terminal	1-pole	XS2-XS4
57	1	1	191 085-206	Capacitor	400 V 6 μF	C6
58	1	1	193 296-101	Contacteur		KM2
	1	1	193 298-101	Bar		
59	6	6	219 504-307	Spring washer	∅ 20/10.2x1.1	
60	6	6		Washer	∅ 22/10.5x2	
61	3	3		Washer	With flat pin connection 6,3x0,8,M10	

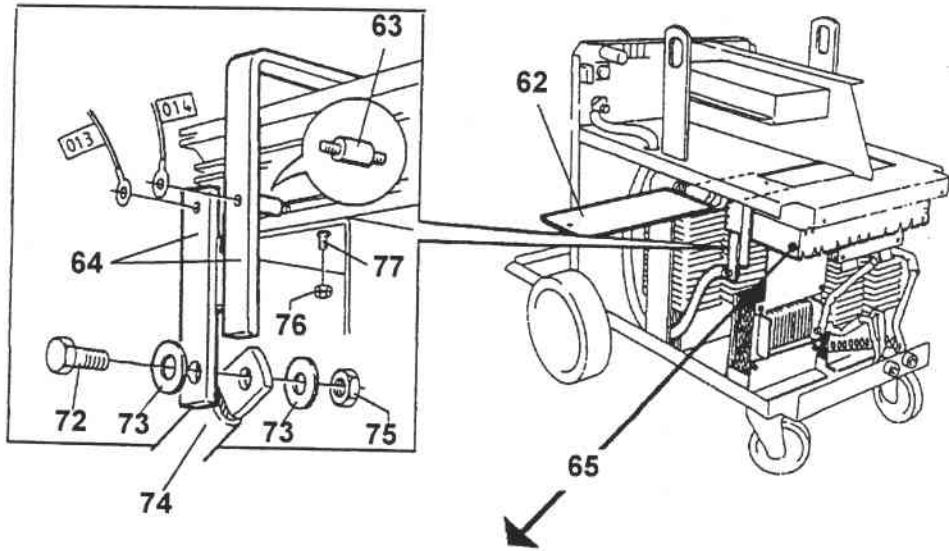
Item no.	Qty 403	Qty 503	Ordering no.	Denomination	Notes	C
62	1	1	469 691-001	Cover		
63	1	1	193 609-105	Insulator	M5	
64	1	1	469 878-881	Shunt	60mV/600A	RS1
65	1	1		Thyristor bridge		
66	1	1	469 861-884	Cable set		
67	3	3	469 693-880	Suppressor	RC filter	Z1 - Z6
68	1	-	467 864-003	Thermal cutout	60°C	ST1
	-	1	467 864-005	Thermal cutout	70°C	ST1
69	24	24	219 504-303	Spring washer	∅ 12.5/6.2x0.7	
	12	24	219 504-303	Spring washer	∅ 12.5/6.2x0.7	
70	*	3	455 157-001	Thyristor module		V1 - V6
			455 157-001	Thyristor module		V1 - V6
	3	-	455 156-001	Thyristor module		V1 - V6
-			192 058-101	Thermal compound	For fitting of thyristor modules	
71	12	-	2195 043-02	Spring washer	∅ 10/5.2x0.5	
72	1	1		Screw	M8x25	
73	2	2		Washer	∅ 16/8,4x1,5	
74				Cable set	See item 54	
75	1	1		Nut	M8	
76	2	2		Nut	M5	
77	2	2		Screw	M5x12	
78	6	15		Screw	M6x16	
79	6	15		Washer	∅ 12/6,4x1,5	
80	1	1		Washer	With flat pin connection 6,3x0,8, M6	
81	9	-		Screw	M5x16	
82	9	-		Washer	∅ 10/5,6x1	

Note: 455 156-001 for machines s/N 512-xxx-yyy to 550-644-yyy (EUPAC) BLACK.

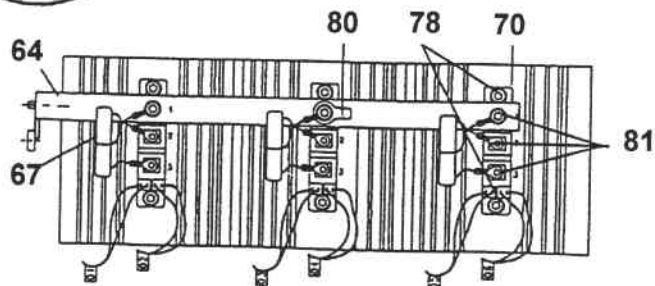
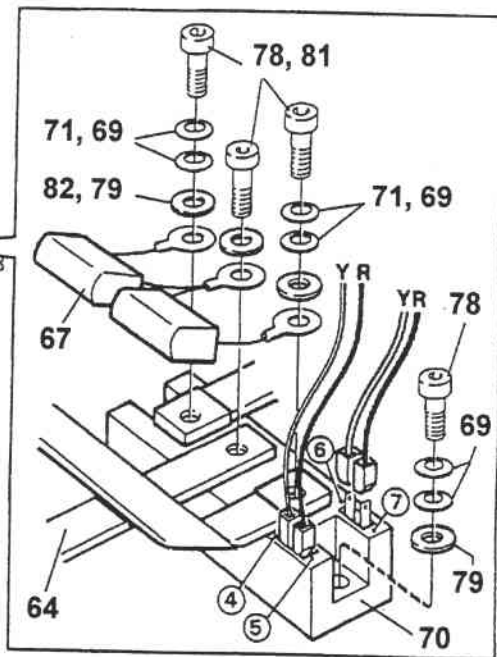
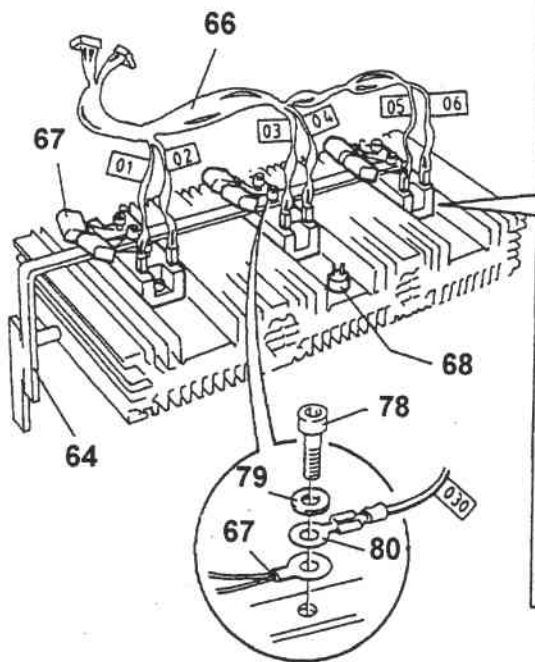
From s/N 550-644-yyy USE 456 536-001 (SEMİKRON) WHITE.

EMC Filter PCB - 486216880





AH 0245





Item no.	Qty 403/503	Qty 403W/503W	Ordering no.	Denomination	Notes	C
83	-	1	365 803-008	Quick connector	Female, red	
	-	1	365 803-009	Quick connector	Female, blue	
84	-	1	455 162-001	Hose		
85	-	1	469 689-001	Water tank		
86	-	1	455 164-001	Hose		
87	1	1	469 893-001	Fan housing		
88	1	1	369 827-001	Fan		EV 1
89	1	1	455 165-001	Attachment		
90	-	1	455 163-001	Hose		
91	-	1	191 085-105	Capacitor	5 μ F 400 V	C5
92	-	1	469 692-001	Pump	1A0.2kW230V50Hz,	M1
93	-	1	469 688-001	Cooler		
94	1	1	455 166-001	Rear panel with text		
95	-	1	455 161-001	Hose		