

Spare parts Transmig 333S

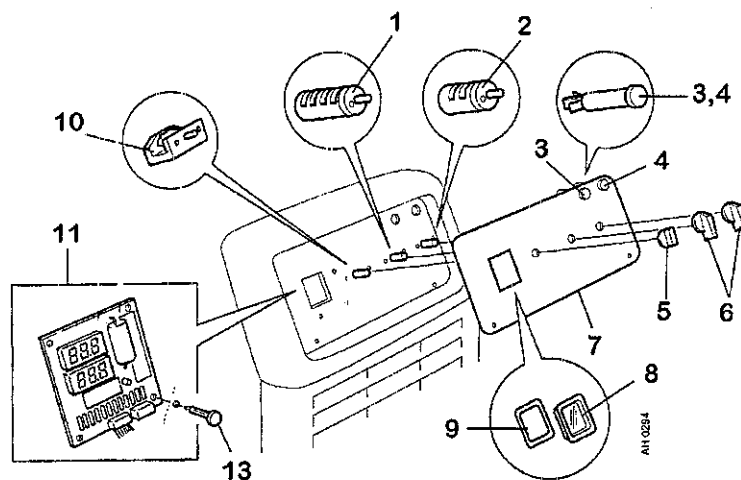
Ordering numbers for Transmig 253 welding rectifiers

Ordering no.	Denomination	Notes
1415970	TM 333s	400-415 V 3~ 50/60 Hz

Spare parts list

Spare parts can be ordered through the nearest Murex distributor.

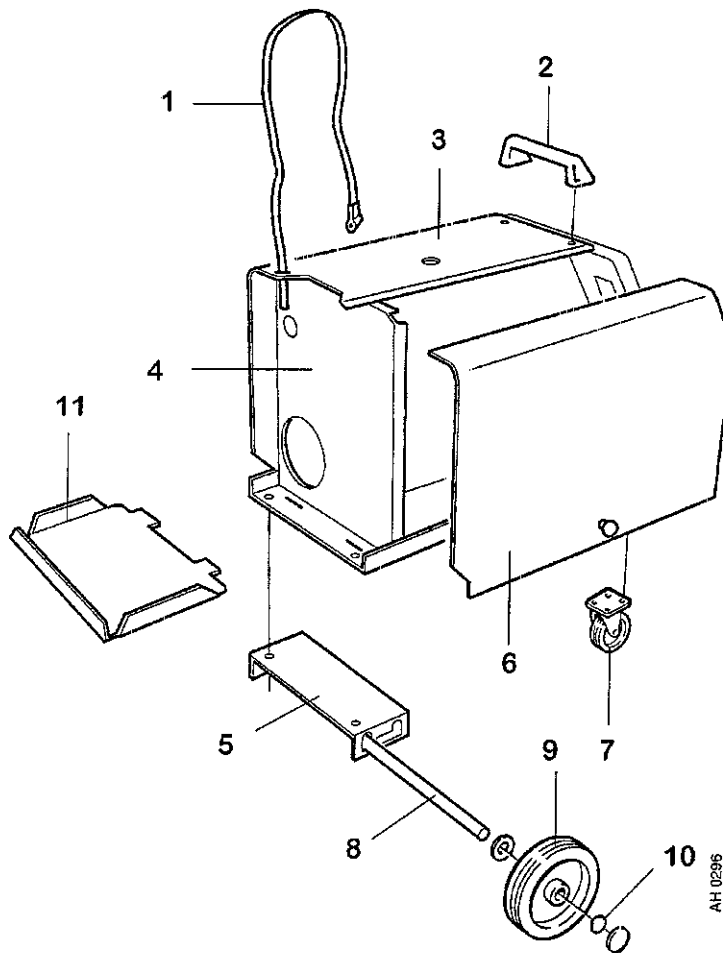
Item no.	Qty	Ordering no.	Denomination	Notes
1	1	0193 942 001	Switch	4 step, item 6 is included
2	1	0193 945 001	Switch	10 step, item 6 is included
3	1	0369 733 002	Indicating lamp	48 VAC, orange
4	1	0369 733 007	Indicating lamp	42 VAC, white
5	1	0366 296 002	Knob	
6	2		Knob	Included in items 1 and 2
7	1	0455 610 002	Panel with text	
8	1	0455 174 001	Seal	
9	1	0455 172 001	Protection glass	
10	1	0366 295 002	Switch	
11	1	0486 317 880	Circuit board	For digital instrument ,
13	3	0455 226 010	Spacer	For circuit board



ba19s001



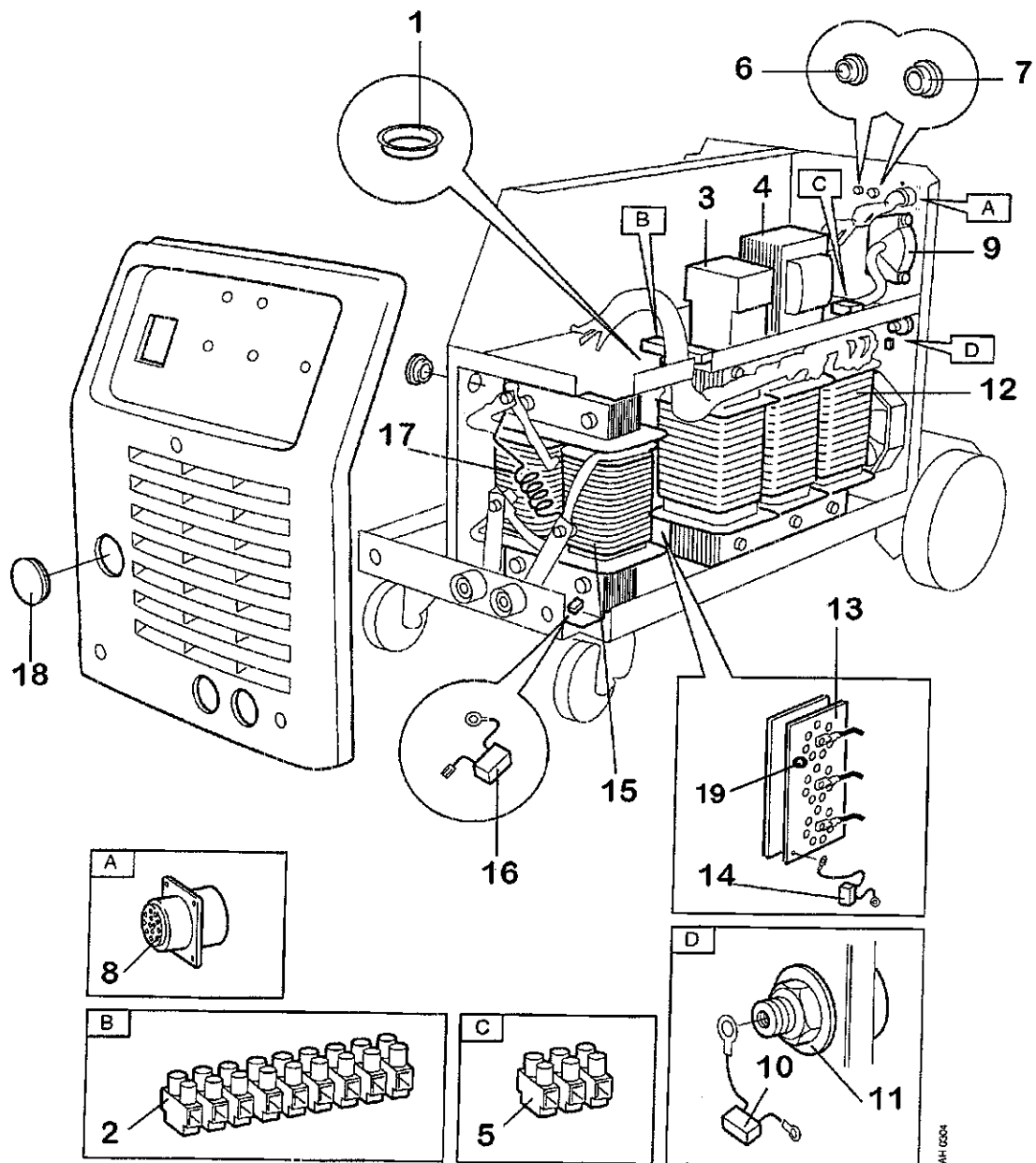
Item no.	Qty	Ordering no.	Denomination	Notes
1	1	0368 265 002	Securing strap	
2	1	0455 833 002	Handle	
3	1	0456 026 001	Cover with text	
4	1	0455 474 001	Rear panel	
5	1	0455 814 001	Clamp	
6	1	0456 025 001	Side panel with txt	
7	2	0455 467 001	Castor wheel	∅ 100mm h=125mm
8	1	0469 516 003	Shaft	
9	2	0455 457 001	Wheel	∅ 200mm
10	2	0192 859 126	Locking washer	
11	1	0469 684 001	Shelf	



ba19s00



Item no.	Qty	Ordering no.	Denomination	Notes
1	1	0192 041 139	Grommet	
2	1	0193 655 012	Terminal	12-pole
3	1	0193 923 001	Contacteur	400-415 V mains voltage
4	1	0455 633 001	Transformer	255 VA
5	1	0162 781 002	Terminal	3-pole
6	1	0192 230 110	Cover	ø 20mm
7	1	0368 544 005	Sleeve socket	23-pole
8		0323 945 003	Sleeve	
9	1	0469 950 880	Cable inlet	
10	1	0467 911 881	Capacitor	with cable lugs
11	3	0160 362 881	Terminal	OKC 50
12	1	0455 618 880	Transformer	Complete, 400-415 V
13	1	0455 815 881	Diode bridge	Complete
14	1	0469 380 881	Capacitor	
15	1	0455 328 880	Inductor	
16	1	0467 911 881	Capacitor	
17	1	0466 479 002	Resistor	
18	1	0192 230 117	Cover plug	ø 50 mm
19	1	0321 229 004	Thermal cutout	Opens at 120° C
		0192 058 101	Thermal compound	For fitting of the thermal cutout



AH 0204

ba19s006



Spare parts Transmig 403S /403SW

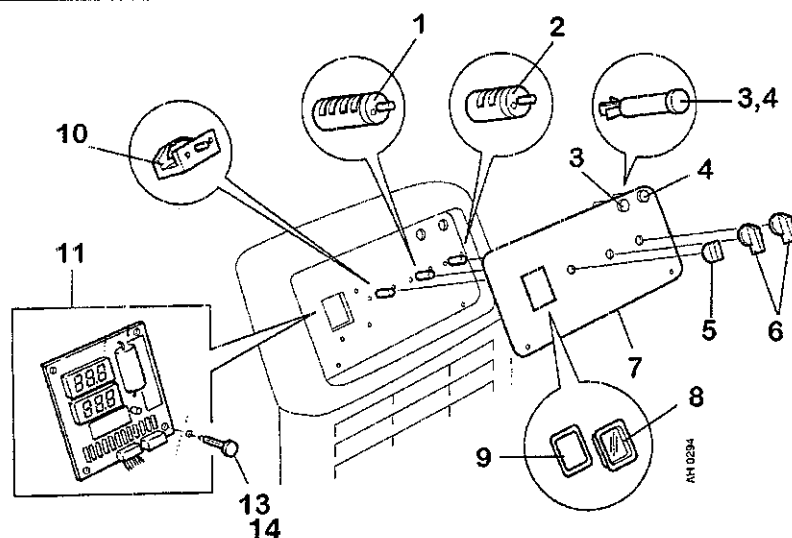
Ordering numbers for Transmig 353 /353W welding rectifiers

Ordering no.	Denomination	Notes
1415971	TM 403S	400-415 V 3~ 50/60 Hz
1415972	TM 403SW	400-415 V 3~ 50/60 Hz

Spare parts list

Spare parts can be ordered through the nearest Murex distributor.

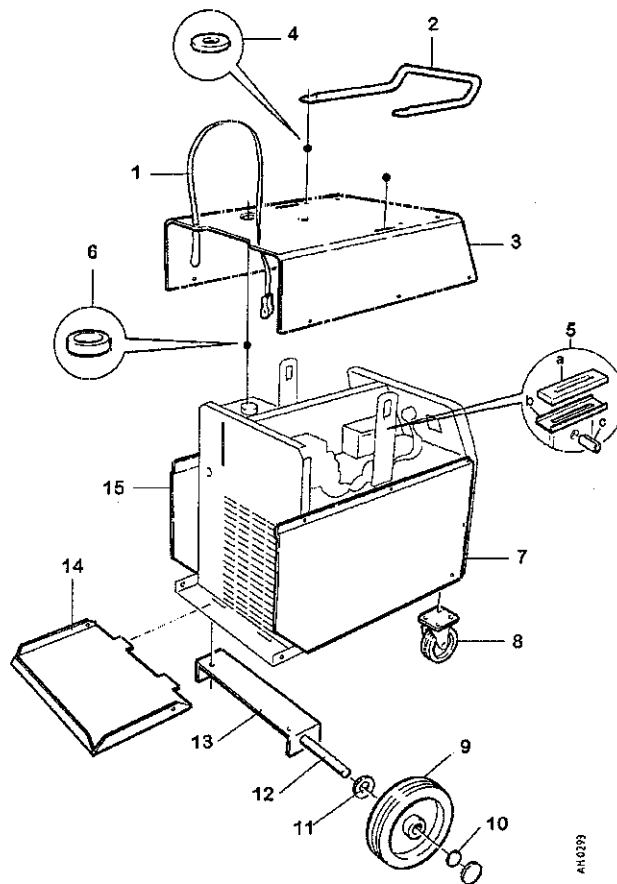
Item no.	Qty	Ordering no.	Denomination	Notes
1	1	0193 942 001	Switch	4 step, item 6 is included
2	1	0193 945 001	Switch	10 step, item 6 is included
3	1	0369 733 007	Indicating lamp	42 VAC, white
4	1	0369 733 002	Indicating lamp	48 VAC, orange
5	1	0366 296 001	Knob	
6	2		Knob	Included in items 1 and 2
7	1	0455 877 003	Panel with text	
8	1	0455 174 001	Seal	
9	1	0455 172 001	Protection glass	
10	1	0366 295 002	Switch	
11	1	0486 317 880	Digital instrument	
13	2	0455 226 010	Spacer	For circuit board
14	1	0455 226 004	Spacer	For circuit board



ba19s001



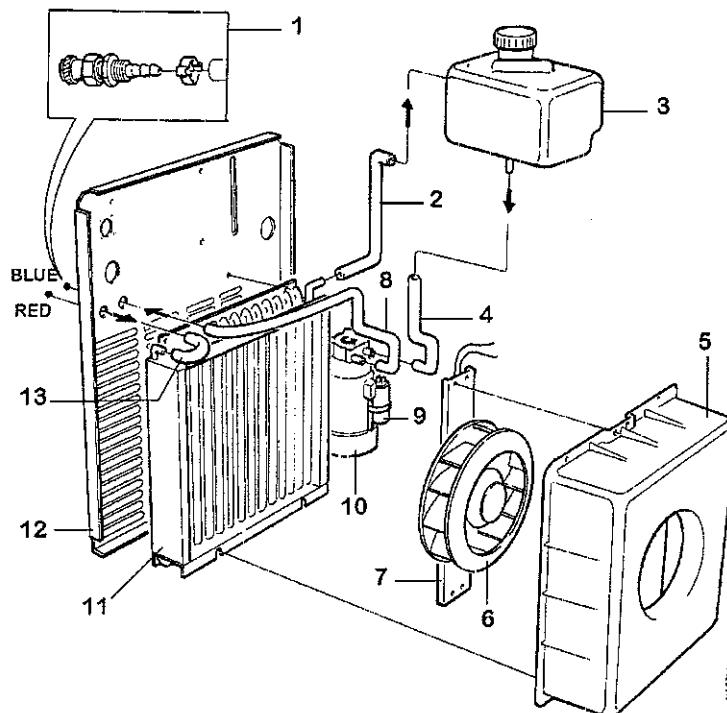
Item no.	Qty	Ordering no.	Denomination	Notes
1	1	0368 265 002	Securing strap	
2	1	0469 868 002	Handle	
3	1	0469 681 002	Cover	
4	4	0366 481 002	Seal	
5a	2	0468 797 001	Seal	
5b	2	0468 796 001	Support plate	
5c	2	0211 103 005	Roll pin	
6	1	0366 481 003	Seal	
7	1	0456 811 001	Side panel with text	Left
8	2	0469 873 001	Castor wheel	∅ 125mm h=150mm
9	2	0469 872 001	Wheel	∅ 250mm
10	2	0192 859 126	Locking washer	
11	2	0215 100 037	Washer	
12	1	0469 516 002	Shaft	
13	1	0469 685 001	Clamp	
14	1	0469 684 001	Shelf	
15	1	0456 023 001	Side panel with text	Right



AN 0373



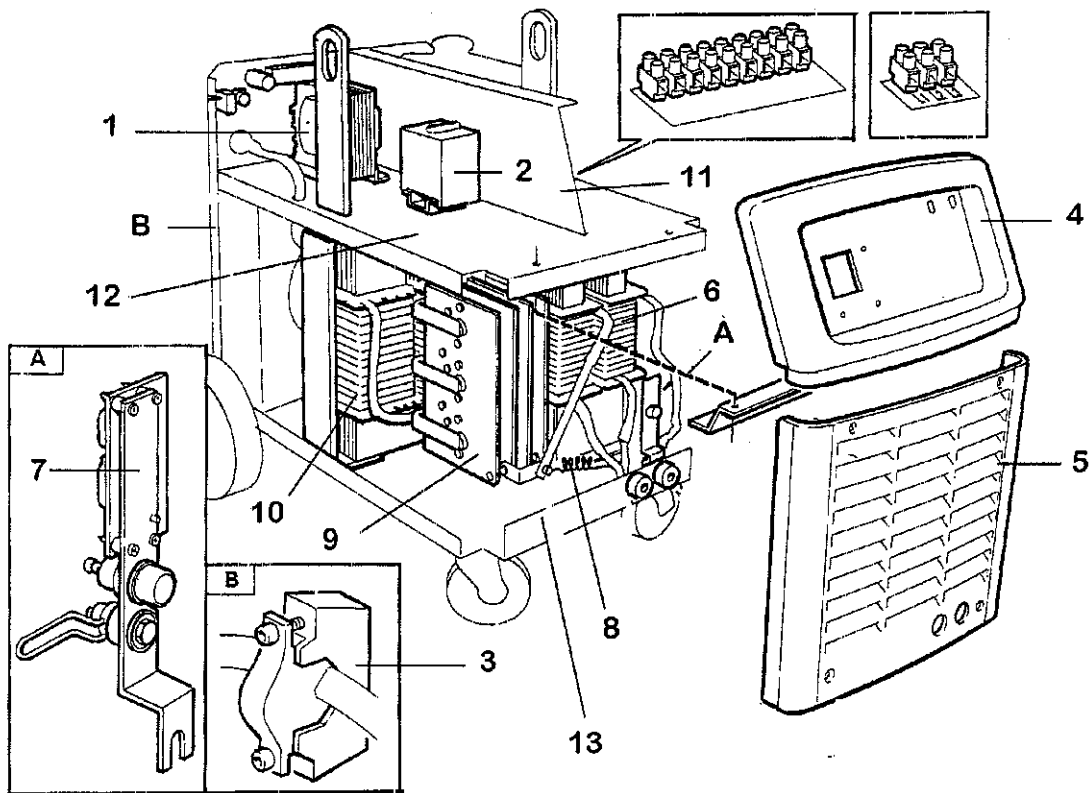
Item no.	Qty	Ordering no.	Denomination	Notes
1	1	0365 803 008	Quick connector	Female, red
1	1	0365 803 009	Quick connector	Female, blue
2	1	0455 162 001	Hose	
3	1	0469 689 001	Water tank	
4	1	0455 164 001	Hose	
5	1	0469 893 001	Fan housing	
6	1	0369 827 001	Fan	
7	1	0455 165 001	Attachment	
8	1	0455 163 001	Hose	
9	1	0191 085 206	Capacitor	5 μ F 400 V
10	1	0469 692 001	Pump	1A 0.2kW 230V 50Hz,
11	1	0469 688 001	Cooler	
12	1	0469 677 001	Rear panel with text	
13	1	0455 161 001	Hose	



ba19s003

Item no.	Qty	Ordering no.	Denomination	Notes
1	1	0469 882 001	Control transformer	400-415 V (replacing 0455 628 001)
2	1	0193 923 001	Contacteur	400-415 V
3	1	0469 950 880	Cable inlet	
4	1	0469 704 002	Front panel	
5	1	0469 703 002	Front grill	
6	1	0455 627 880	Inductor	
7	1	0367 070 881	Inductor short-circuiter	
8	1	0466 479 001	Resistor	
9	1	0455 488 880	Diode bridge	
10	1	0455 498 881	Transformer	400-415 V
11	1	0469 678 001	Centre plate	
12	1	0455 830 001	Intermediate plate	
13	1	0469 672 001	Base plate	

0486364880 EMC FILTER (API)



ba19s004



NOTES
