

Parts List

When ordering spare parts, please quote both the Part Number and the description. Customers should also give the type and serial number of the unit for which the parts are required.

CONSUMABLES

Transmatic Lynx 2

Note: as standard the Lynx 2 is supplied fitted for 1.0/1.2 Hard Wires.

Wire Size & Type	Inlet Guide	Feed Roll	Pressure Roll	Outlet Guide Tube Liner (128mm)	
0.6 - 0.8H	1413103	1413458	1413844 (P)	(1.5 ID)	1413880
0.8 - 1.0H	1413103	1413459	1413844 (P)	(2.0 ID)	1413881
1.0 - 1.2H	1413103	1413486	1413844 (P)	(2.0 ID)	1413881
1.2 - 1.6H	1413103	1413843	1413844 (P)	(2.0 ID)	1413881
1.0 - 1.2S	1413103	1413460	1413844 (P)	(Nylon)	1413883
1.2 - 1.6T	1413103	1413487	1413845 (K)	(2.0 ID)	1413881

Key: P = Plain K = Knurled

Transmatic Lynx 4 HD

Note: as standard the Lynx 4HD is supplied fitted for 1.0 - 1.2 Hard Wires

Wire Size & Type	Inlet Guide	Feed Rolls (Pack of 2)	Pressure Roll (2 req'd)	Intermediate Guide	Outlet Guide Tube Liner (115.5mm)	
0.6 - 0.8H	1413103	1409001	1411478	1411769	(1.5 ID)	1413885
1.0 - 1.2H	1413103	1409002	1411478	1411769	(2.0 ID)	1413886
1.2 - 1.6H	1413103	1409003	1411478	1411769	(2.0 ID)	1413886
1.2 - 1.6T	1413103	1411533	1411478	1411769	(2.0 ID)	1413886
1.6 - 2.4T	1413854	1409005	1411478	1411770	(3.0 ID)	1413888
1.2 - 1.6S	1413103	1414891	1411478	1411769	(Nylon)	1413889

Key: P = Plain K = Knurled

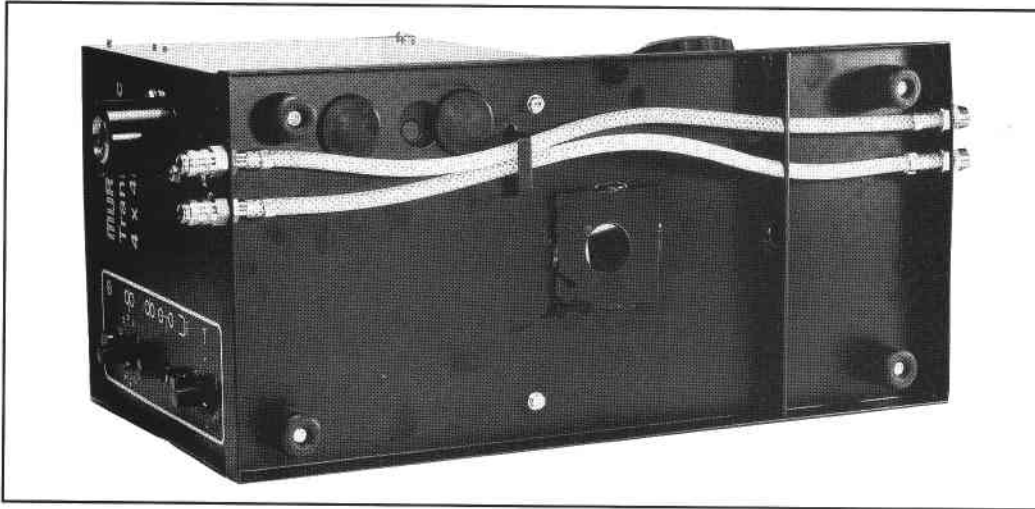
Transmatic Lynx 4 EHD

Note: as standard the Lynx 4EHD is supplied fitted for 1.0 - 1.2 Hard Wires

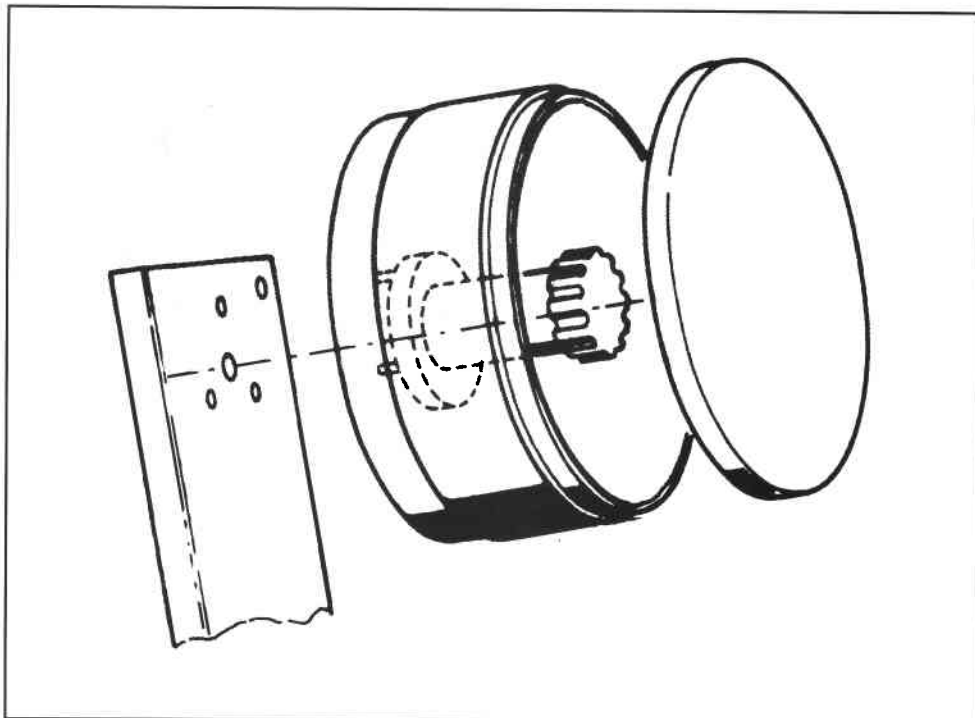
Wire Size & Type	Inlet Guide	Feed Rolls (Pack of 2)	Pressure Roll (2 req'd)	Intermediate Guide	Outlet Guide Tube Liner (115.5mm)	
0.6 - 0.8H	1413103	1409001	1411478 (P)	1411769	(1.5 ID)	1413885
1.0 - 1.2H	1413103	1409002	1411478 (P)	1411769	(2.0 ID)	1413886
1.2 - 1.6H	1413103	1409003	1411478 (P)	1411769	(2.0 ID)	1413886
1.2 - 1.6T	1413103	1411533	1411478 (P)	1411769	(2.0 ID)	1413886
1.6 - 2.4T	1413854	1409005	1411478 (P)	1411770	(3.0 ID)	1413888
2.8 - 3.2T	1413854	1409006	1411478 (P)	1411770	-	Not used
1.2 - 1.6S	1413103	1414891	1411478 (P)	1411769	(Nylon)	1413889
2.4 - 3.2S	1413854	1414892	1411478 (P)	1411770	(3.0 ID)	1413888

Key: P = Plain K = Knurled

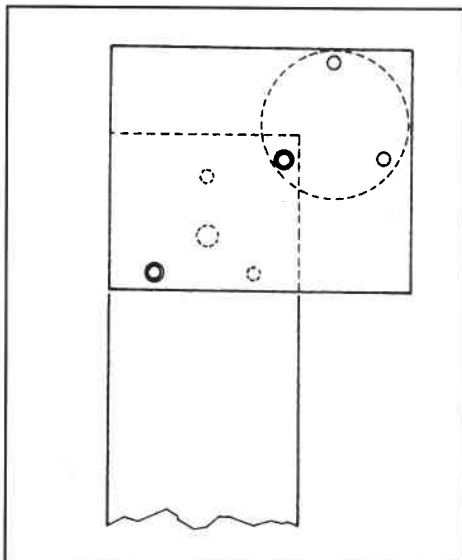
OPTIONAL EXTRAS



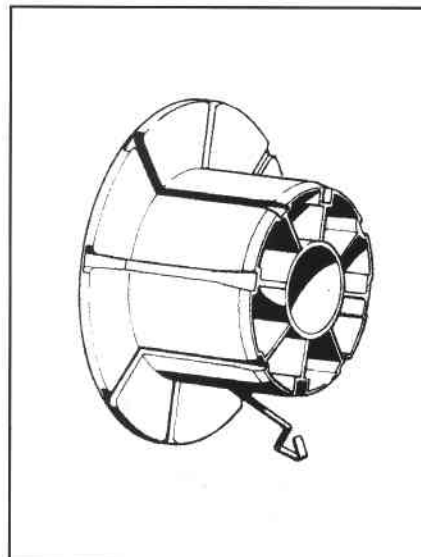
**Water Adaptor Kit
Part No. 1413647**



**Reel Cover Kit
Part No. 1413648**



**30Kg Coil Holder
Mounting Kit
Part No. 1413649**



**Wire Basket Adaptor
Part No. XD 420000**

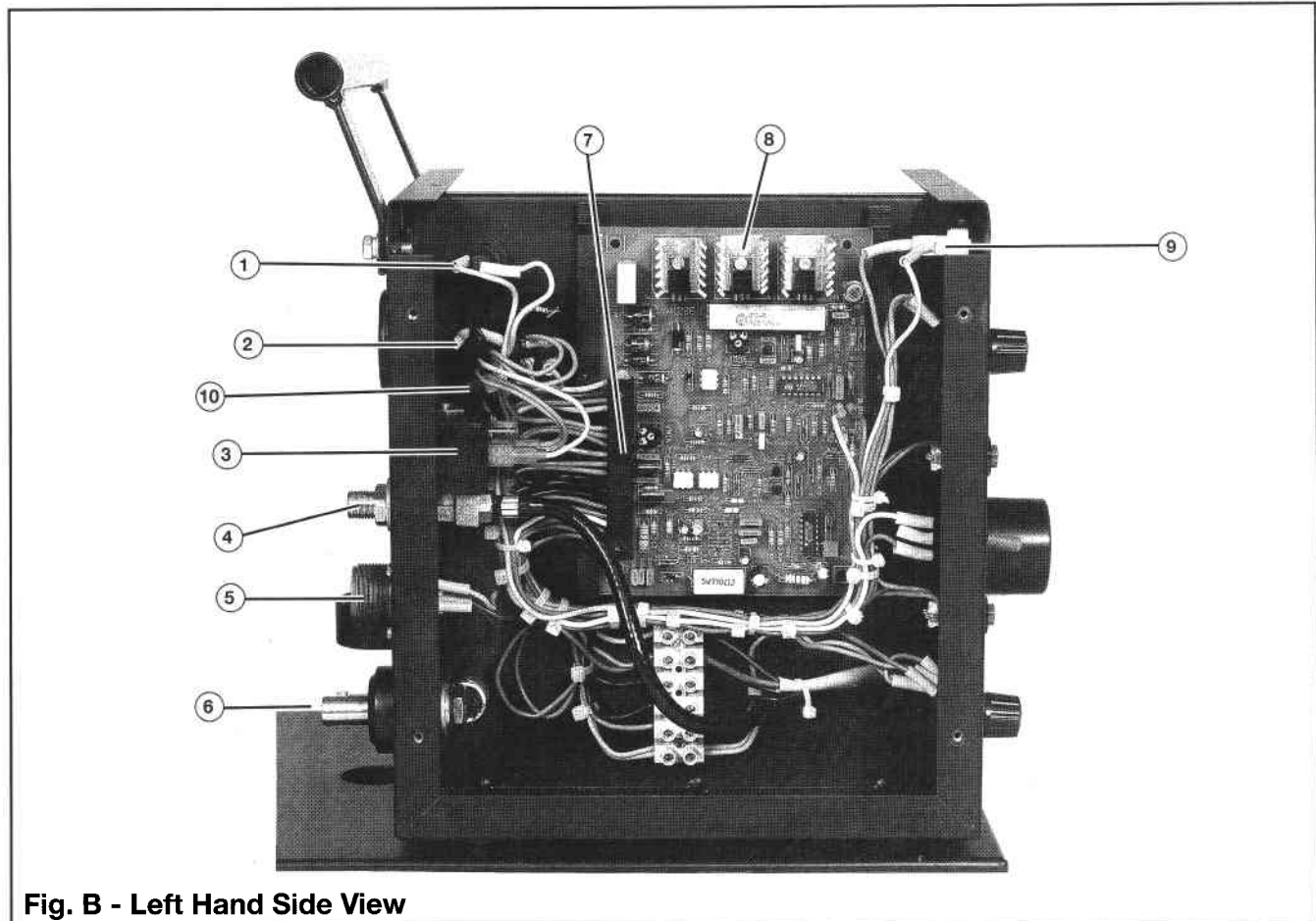


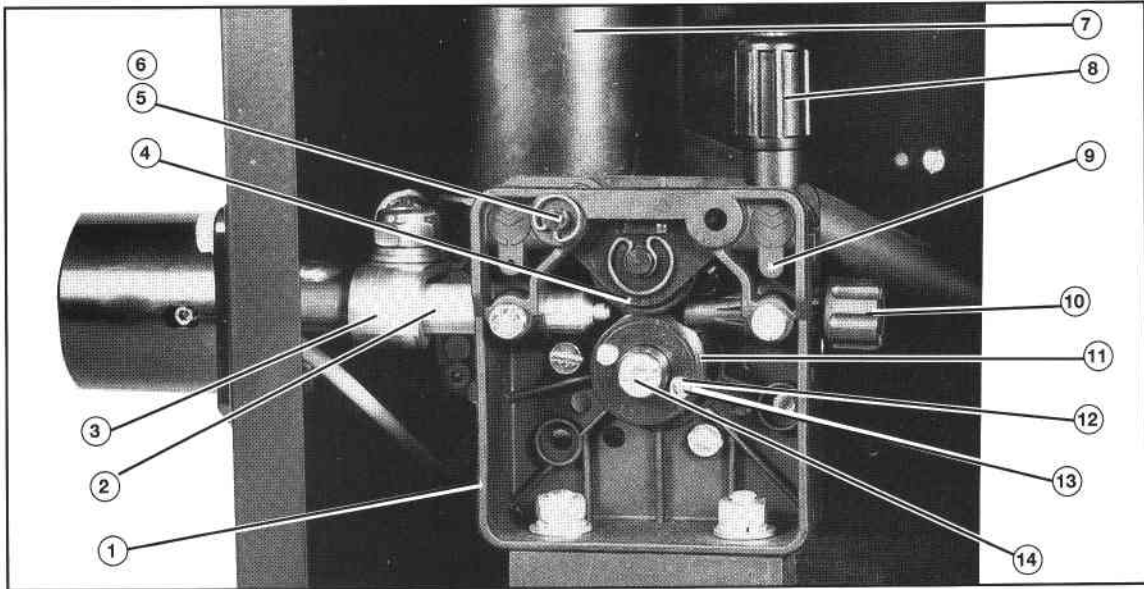
Fig. A - Front View

Item	Part No.	Description
1	1415998	Potentiometer - wire speed
-	1415999	Knob for item 1
2	1416000	Pushbutton switch - wire inch
3	1416001	Latching switch
4	1416000	Pushbutton switch - gas purge
5	1416002	Potentiometer - spot timer (2 & 4HD)
-	1416003	Potentiometer - Voltage control (4EHD)
-	1415999	Knob for item 5
6	1416004	Rubber foot (Note 1)
7	1409035	Central adaptor block inc: Switch leads
8	1411523	Bushing for item 7
9	1416005	Hub assembly complete
10	1416006	Hub nut

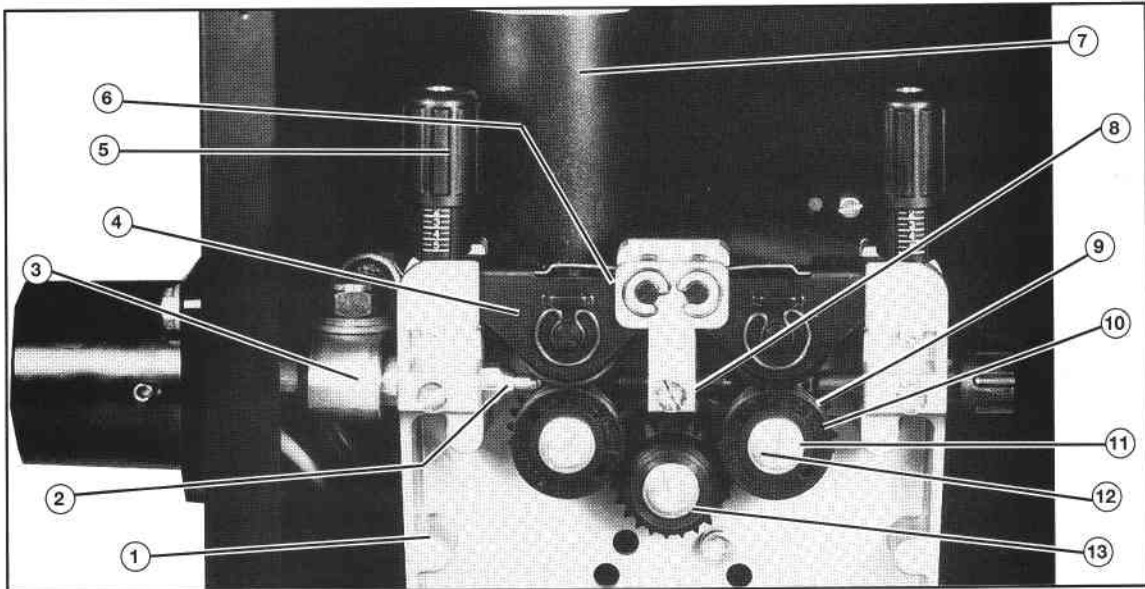
Note 1: *Please note, that these items must be ordered on a special order form and may be on extended delivery (contact Murex Welding Products for details)*

Fig. B - Left Hand Side View

Item	Part No.	Description
1	1416007	Fuse holder 20mm
-	1413891	Fuse Lynx 2 (Pack of 10) 8A 20 x 5mm
-	1413893	Fuse 4(E)HD (Pack of 10) 10A 20 x 5mm
2	1416007	Fuseholder 20mm
-	1413890	Fuse (Pack of 10) 1A 20 x 5mm
3	1416010	Gas solenoid valve
4	1409042	Gas bulkhead fitting
5	1411519	10 pin plug, panel mounting
-	653567	Socket for item 5 cable mounting
6	678339	Dinse plug, panel mounting
-	1380438	Dinse socket, cable mounting 50-70
7	1411435	20 way conector
8	1413842	Printed Circuit Board (control)
9	1416008	Lamp holder, lens & bulb
10	1416009	Potentiometer - burn back



Transmatic Lynx 2



Transmatic Lynx 4HD & 4EHD

Transmatic Lynx 2

Item	Part No.	Description
1	1413874	Feedplate
2	1413871	Outlet guide tube (includes Cap nut and 'O' ring)
-	-	Outlet guide tube liner, see Consumables
3	1413453	Power clamp
4	1413451	Geared pressure roll arm, (including smooth pressure roll)
-	-	Pressure roll - see Consumables
5	1413857	Pressure arm locating pin
6	1413858	Circlip for item 5
7	1413859	Motor 42V
-	1413860	Carbon brush assembly (pair)
8	1413102	Pressure device complete
9	1413861	Locating pin for item 8
10	-	Inlet guide, see Consumables
11	1413452	Geared feed roll adaptor
12	-	Feed roll, see Consumables
13	1414800	Geared adaptor retaining screw (M3x15)
14	1413104	Feed roll retaining screw (M4x8)
-	1413870	Woodruff key
Not Shown	1413450	Feed roll block complete

Transmatic Lynx 4HD & 4EHD

Item	Part No.	Description
1	1413864	Feed roll block
2	1413873	Outlet guide tube (includes Cap nut and 'O' ring)
-	-	Outlet guide tube liner, see Consumables
3	1413453	Power clamp
4	1413865	Geared pressure roll arm 4EHD (including knurled pressure roll)
-	-	Pressure roll - see Consumables
-	1411790	Geared adaptor for pressure roll (4EHD)
-	1413857	Pressure arm locating pin
-	1413858	Circlip
5	1413866	Pressure device calibrated
-	1413861	Locating pin for item 5
6	1413867	Lifting spring
7	1413868	Motor 42V
-	1413860	Carbon brush assembly (pair)
8	-	Intermediate guide, see Consumables
9	-	Inlet guide, see Consumables
10	1411790	Geared adaptor for feed roll
11	-	Feed roll, see Consumables
12	1413104	Feed roll retaining screw (M4x8)
-	1413391	Feed roll axle
13	1411791	Drive gear
-	1413870	Woodruff Key (Motor)
Not Shown	1413876	Feed roll block complete