



Transmatic AVC

Parts List

Issue 1

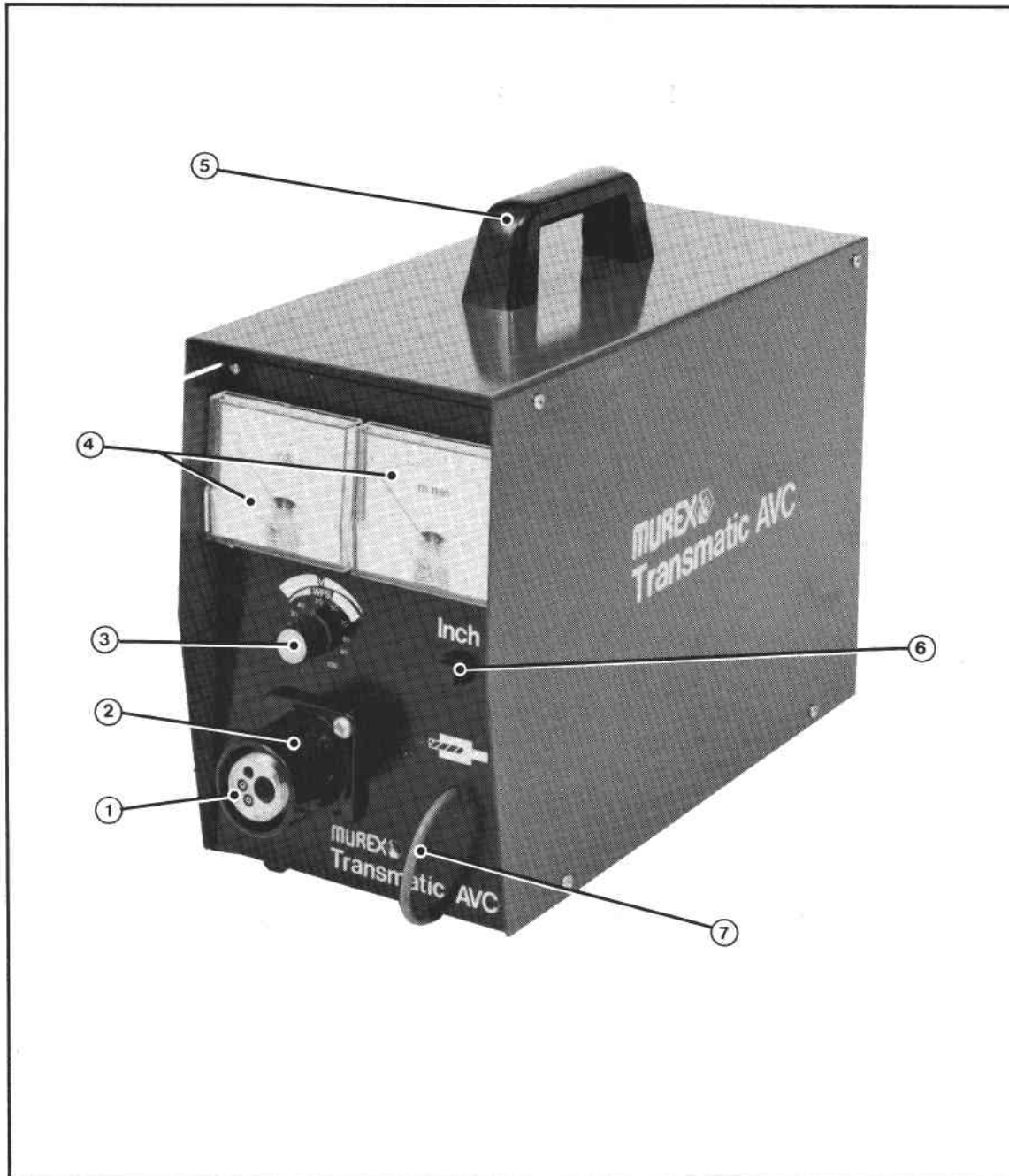


Fig. A

| Item | Part No. | Description |
|------|----------|-----------------------------------|
| 1 | 1411524 | Central adaptor block |
| 2 | 1411523 | Central adaptor shroud |
| 3 | 1413089 | Potentiometer 2.5k Ω |
| - | 1413090 | Knob for item 3 |
| 4 | 1413091 | Voltmeter (Note 1) |
| - | 1413092 | Wire feed speed meter (Note 1) |
| 5 | 1413093 | Handle |
| 6 | 1413094 | Inching button |
| 7 | 1413095 | Sensing lead clamp |

Note 1 - See Optional Extras

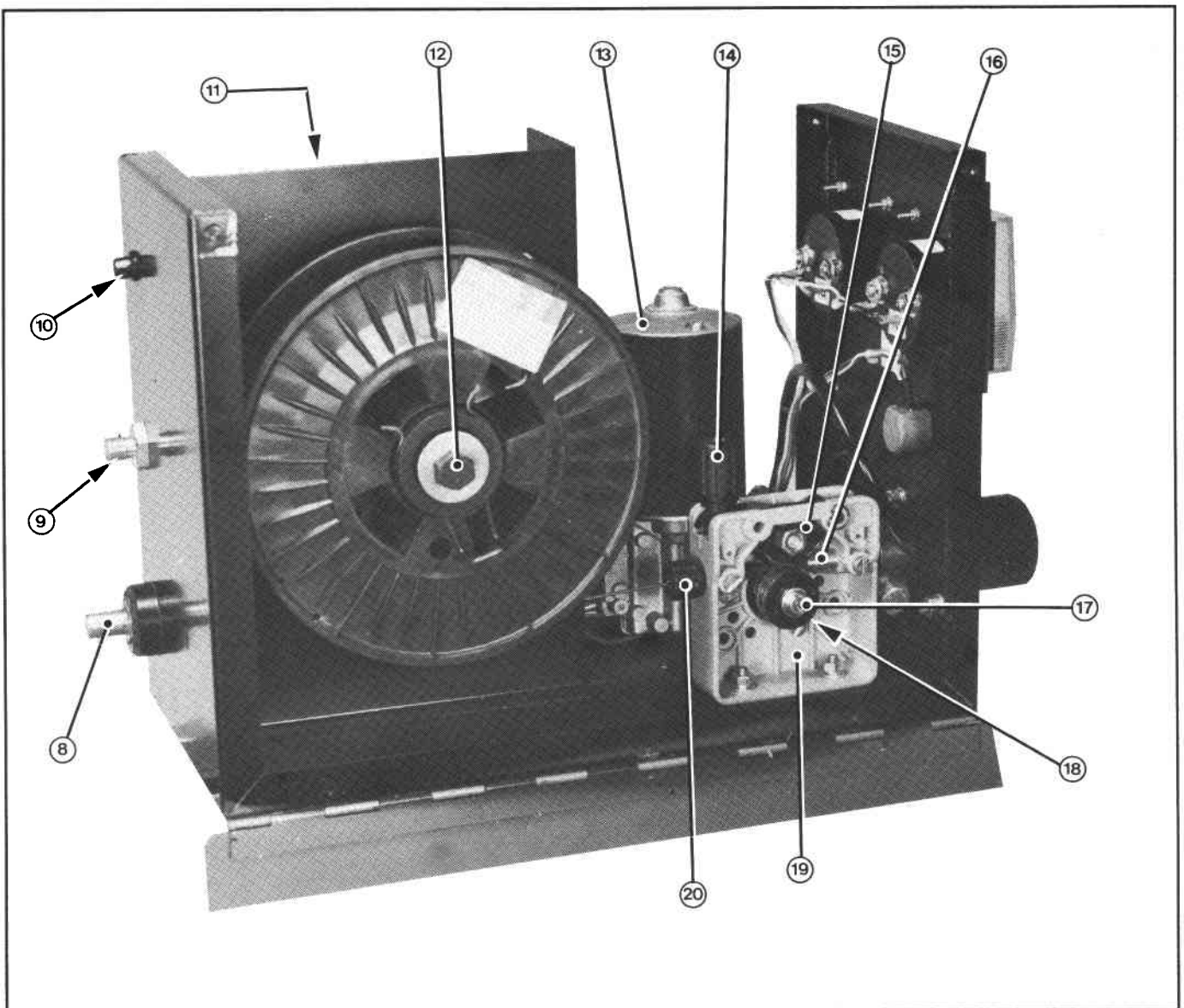


Fig. B

| Item | Part No. | Description | Item | Part No. | Description |
|------|----------|-----------------------------------|------|----------|---|
| 8 | 678339 | Male dinse panel plug (Note 2) | d | 1411532 | Axle |
| 9a | 24429 | 1/4 BSP Bulkhead fitting | 13 | 1413100 | Motor 24VDC |
| b | 20135 | 1/4 BSP nut | 14 | 1413102 | Pressure device complete |
| c | 1411778 | Nipple | 15 | 1413101 | Pressure arm complete |
| d | 32037 | Nut | 16 | 1413088 | Connection tube |
| 10 | 1413056 | Fuseholder | - | 1413084 | Outlet guide tube |
| a | 1413057 | Fuse 3A, 20mm (pk. of 10) | 17 | 1411548 | Feed roll retaining screw |
| 11 | 1413087 | AVC printed circuit board | - | 1411549 | Woodruff key |
| 12 | 1411528 | Hub assembly (short) | 18 | 1411494 | Feed roll 1.2 / 1.6 knurled (Note 1) |
| a | 1411529 | Reel retaining clip | 19 | 1413106 | Wire feed block |
| b | 1411530 | Pressure spring 21mm dia. | 20 | 1413103 | Inlet guide |
| c | 1411531 | Screw | | | |

Note 1: See Optional extras

Note 2: Socket for item 8

35mm - 50mm sq. welding cable 1380437

70mm - 95mm sq. welding cable 1380439



Optional Extras

COMPLETE FEEDER 1412466,

| Item | Part No. |
|--|----------|
| Voltmeter / WFS meter kit..... | 1413078 |
| Gas solenoid valve kit..... | 1413079 |
| 15Kg reel holder base plate complete..... | 1411397 |
| Spiral inlet guide - for use with baseplate..... | 1411502 |
| Feed rolls | |
| 0.8 - 1.0H | 1411471 |
| 1.0 - 1.2H | 1411493 |
| 1.2 - 1.6S | 1411682 |
| 1.2 - 1.6K (standard) | 1411494 |

Key: H = Hard (V groove)
 S = Soft (U groove)
 K = Knurled for tubular wires