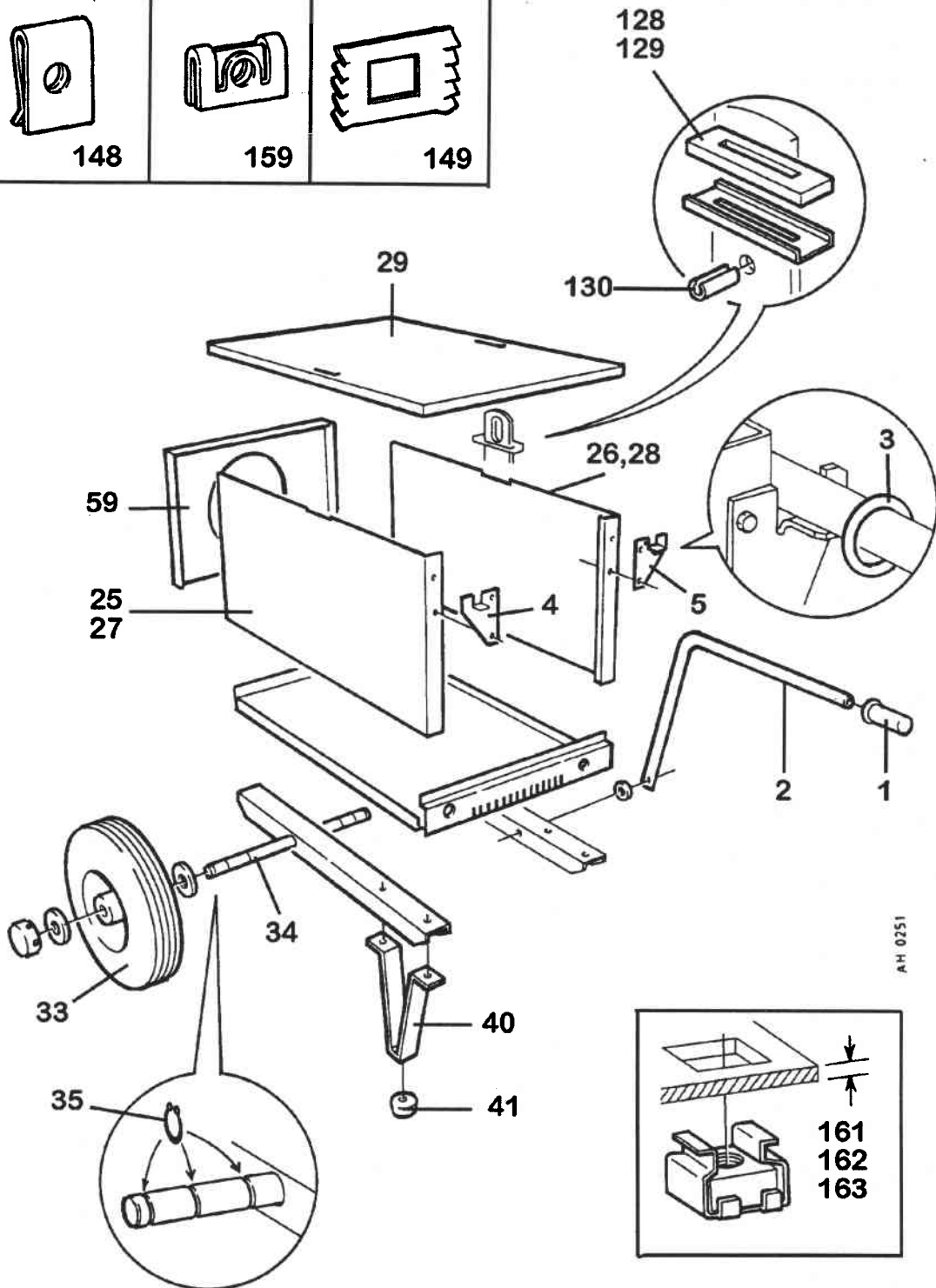
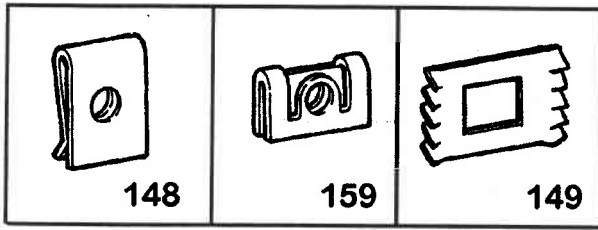




Item no.	Qty	Part no.	Description
13	1	319 187-001	Indicator
14	1	147 866-001	Switch, K33 DC 630/800
15	1	5385 010-02	Socket
17	1	320 745-002	Circuit braker, K6,DC 400E
18	1	320 745-003	Circuit braker, K6,DC 630/800
19	1	455 722-001	Front panel, DC 400E
20	1	469 931-001	Front panel, DC 630
21	1	469 934-001	Front panel, DC 800
25	1	321 496-004	Side panel
26	1	321 496-003	Side panel
29	1	321 497-002	Top cover
33	2	365 038-001	Solid rubber wheel
34	1	365 046-001	Wheel axle
35	6	2157 010-19	Circlip
36	2/3	160 362-881	Welding socket,DC 400E/630
37	3	160 362-882	Welding socket,DC 800
38	2/3	2152 012-18	Seal
40	2	319 738-001	Leg
41	2	319 455-002	Rubber foot
42	1	319 876-880	Printed circuit card,K33 incl. K45.1+K45.4
43	2	365 745-001	Circuit card holder
44	1	192 784-013	Pin plug, K45.3, 12 way
45	1	192 784-014	Sleeve plug, K45.4, 12 way
46	1	192 784-015	Pin plug, K45.1, 15 way
47	1	192 784-016	Sleeve plug, K45.2, 15 way
48	23	192 784-101	Pin
49	23	192 784-102	Socket contact

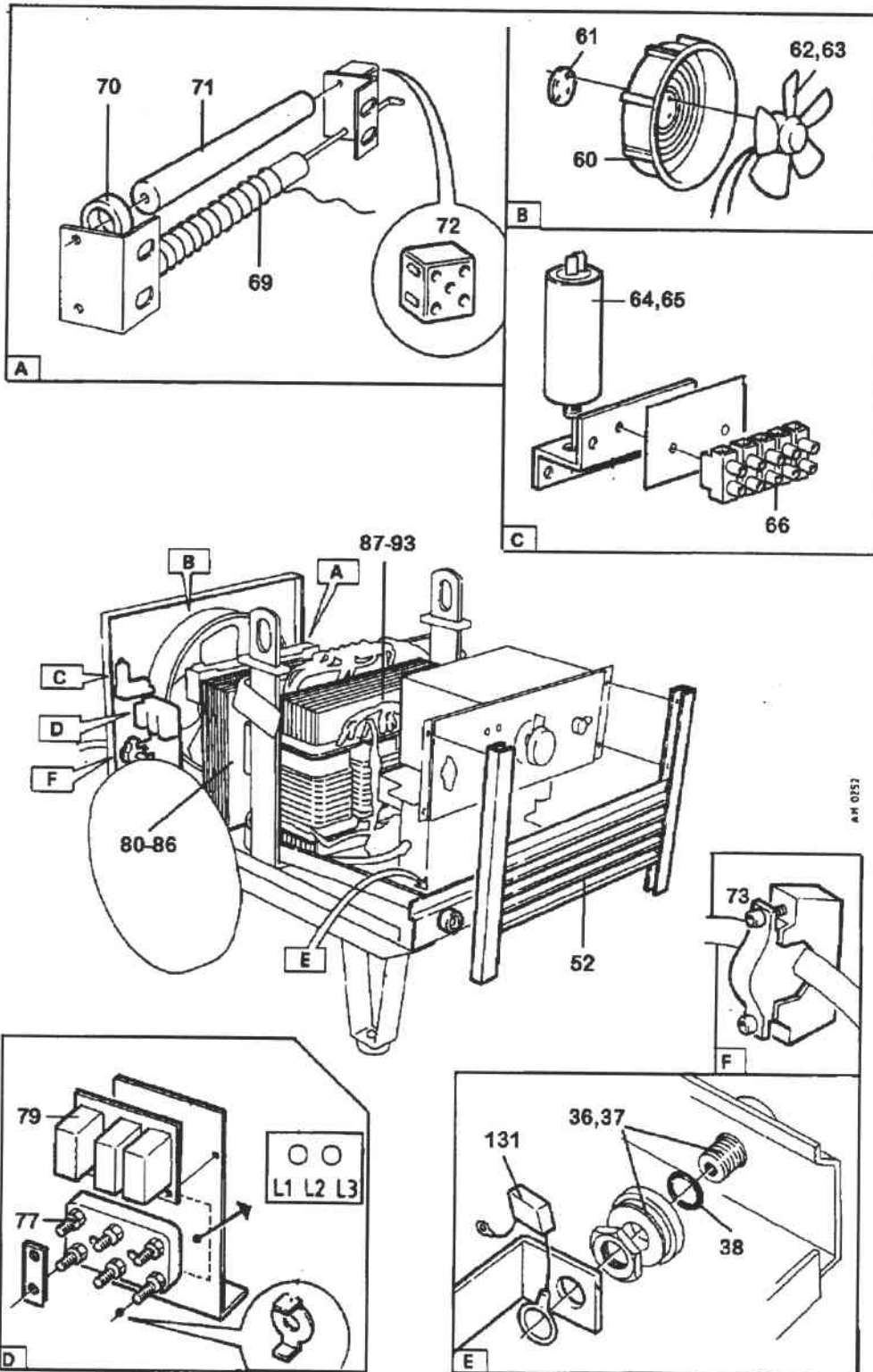
Item no.	Qty.	Part no.	Description
50	1	319 828-001	Control transformer, K52.1
51	2	193 219-001	Switch, K33, DC 400E
53	1	192 724-007	Potentiometer, K57
54	1	317 942-001	Planetary gear
59	1	319 837-002	Rear plate
60	1	319 838-001	Fan casing
61	1	320 178-001	Washer
62	1	162 430-001	Fan, K28, DC 400E/630
63	1	162 430-002	Fan, K28, DC 800
64	1	191 085-202	Capacitor, K47, DC 400E/630
65	1	191 085-106	Capacitor, K47, DC 800
66	1	193 587-005	Connection block, K50, 5 way
69	1	162 548-005	Series resistor, K14
70	2	318 980-001	Insulating ring
71	2	317 660-001	Element rod
72	1	0407 055-01	Connection block, 2 way
73	1	469 950-880	Cable clamp
77	1	0408 940-01	Mains connection block, K11
79	1	486 216-880	Printed circuit board
80	1	319 774-882	Inductor, K12, DC 400E
81	1	319 944-880	Inductor, K12, DC 630
82	1	319 944-881	Inductor, K12, DC 800
87	1	469 920-884	Main transformer, K1, DC 400E
88	1	469 923-882	Main transformer, K1, DC 630
89	1	469 923-884	Main transformer, K1, DC 800
95	1	162 781-008	Connection block, K30, 9 way
96	1	193 655-012	Connection block, K45.6 12 way
97	1	456 111-001	Sign
98	1	469 947-001	Sign
99	1	162 772-001	Connection block, K30,2 3 way
100	1	0408 940-01	Connection block, K30,1 6 way

Item no.	Qty	Part no.	Description
101	3/6	192 716-004	Diode, K2.3
102	1	192 884-002	Capacitor, K27,4
105	1	319 690-884	Thyristor bridge, K2.1, DC 400E
106	1	319 690-882	Thyristor bridge, K2.1, DC 630
107	1	319 932-880	Thyristor bridge, K2.1, DC 800
110	1	319 904-880	Diode bridge, K2,2 DC 400E/630
111	1	319 923-880	Diode bridge, K2,2 DC 800
113	1	320 028-002	Thyristor, K2.1, DC 400E/630
114	1	320 946-001	Thyristor, K2.1, DC 800
115	1/2	4906 006-06	Diode, K2.4
116	3	0410 516-06	Transient protection, K27.1
118	3	319 690-883	Tensioning device, DC400E/630
119	3	319 932-881	Tensioning device, DC 800
122	1	319 999-001	Thermostat, K31.1 DC 400E
123	1	368 020-001	Thermostat, K31.1 DC 630/800
125	1	319 723-881	Shunt, K18, DC 400E
126	1	319 911-880	Shunt, K18, DC 630
127	1	319 911-881	Shunt, K18, DC 800
128	2	468 797-001	Gasket
129	2	468 796-001	Support plate
130	2	2111 030-05	Roll pin
131	2	320 805-881	Capacitor, K27.3
133	1	193 670-103	Relay, K62.1
134	13	163 139-001	Bushing
135	10	162 414-002	Insulating tube
137	4	2121 086-49	Screw M6x12
138	4	365 958-001	Washer
148	12	151 270-001	Nut
149	6	320 029-002	Ground link
159	4	192 547-001	Nut
161	8	192 562-105	Cage nut, M6 t=0,7-1,6
162	4	192 562-106	Cage nut, M6 t=1,8-2,6
163	21	192 562-108	Cage nut, M8 t=1,8-2,6

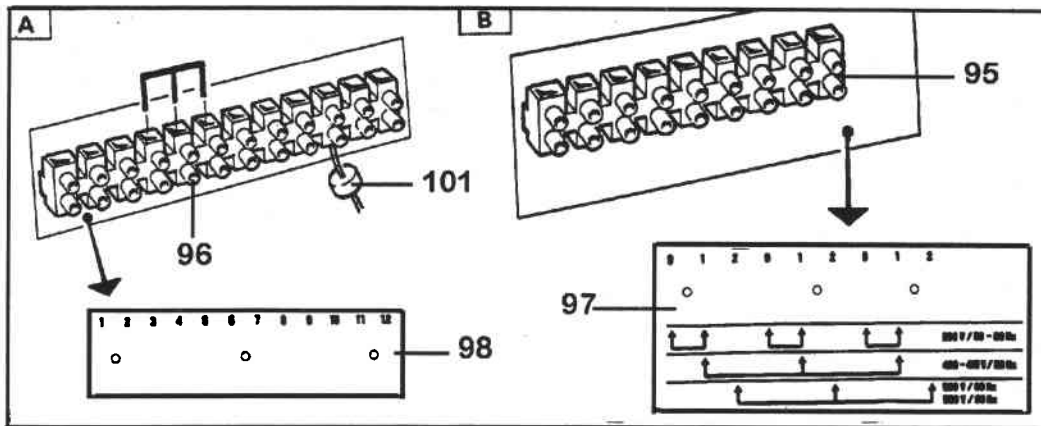


AH 0751

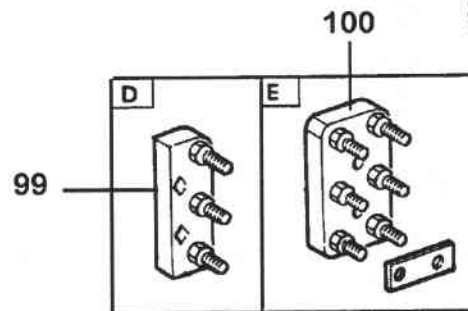
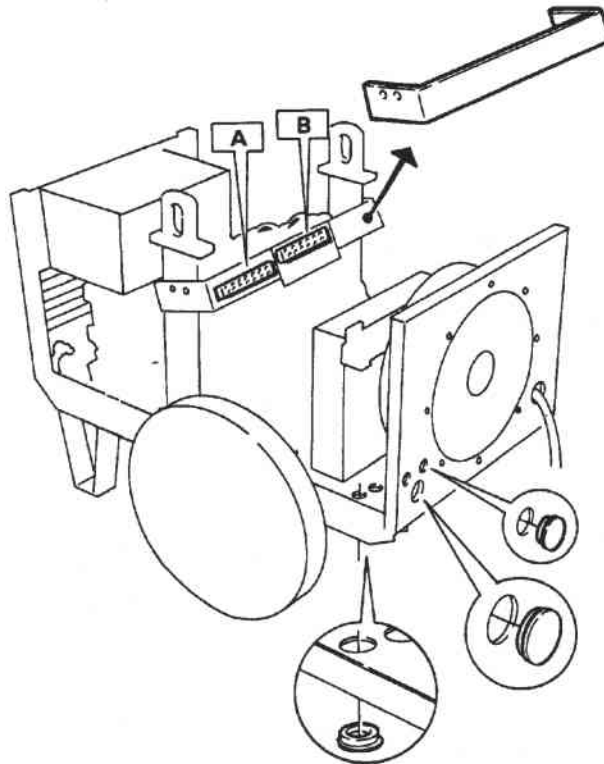
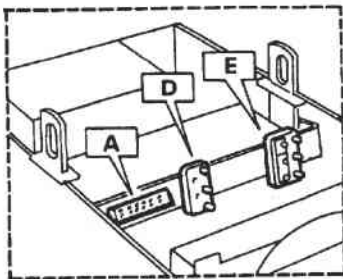
bh13e001



bh10s002

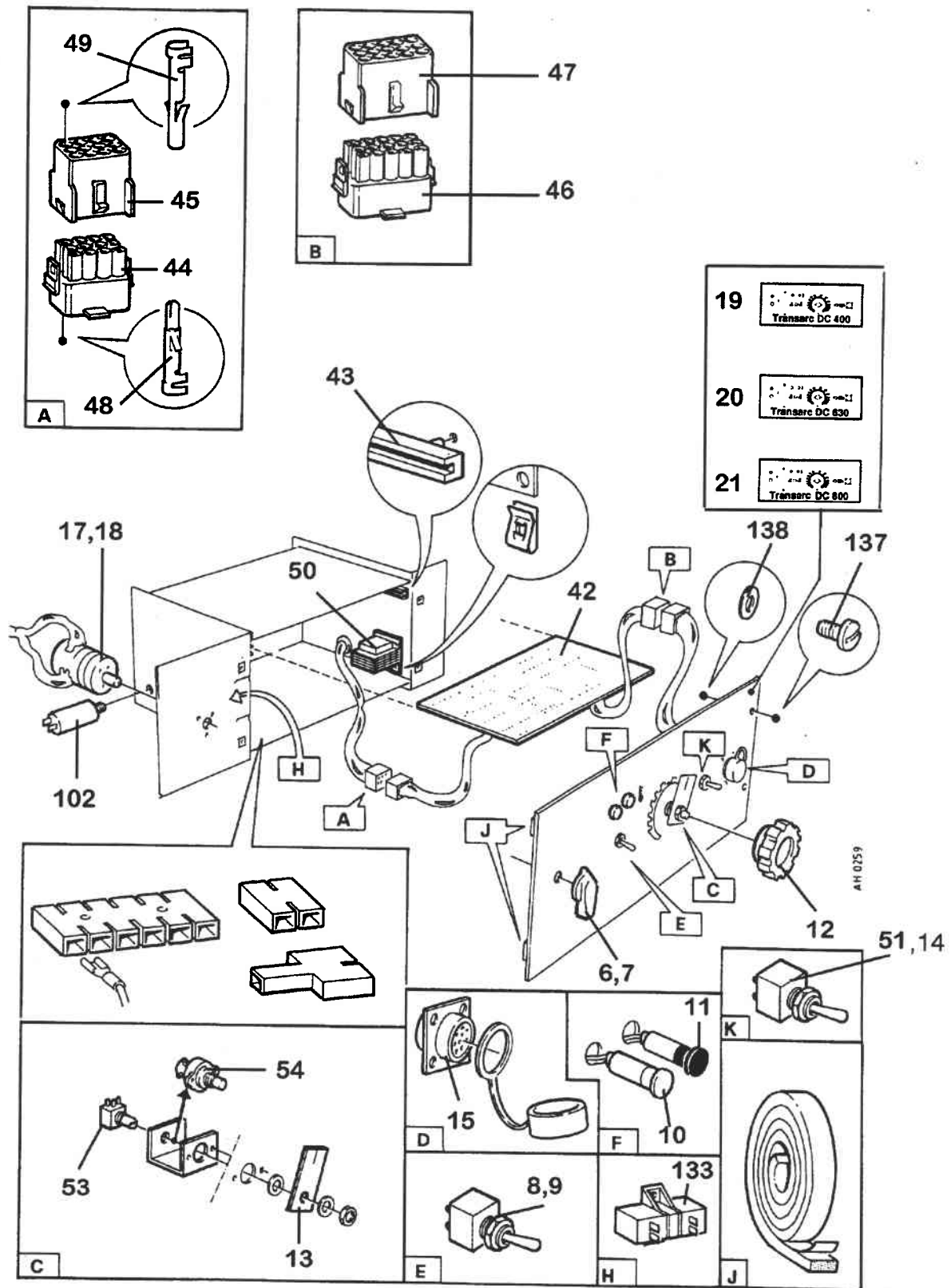


DC 630/800

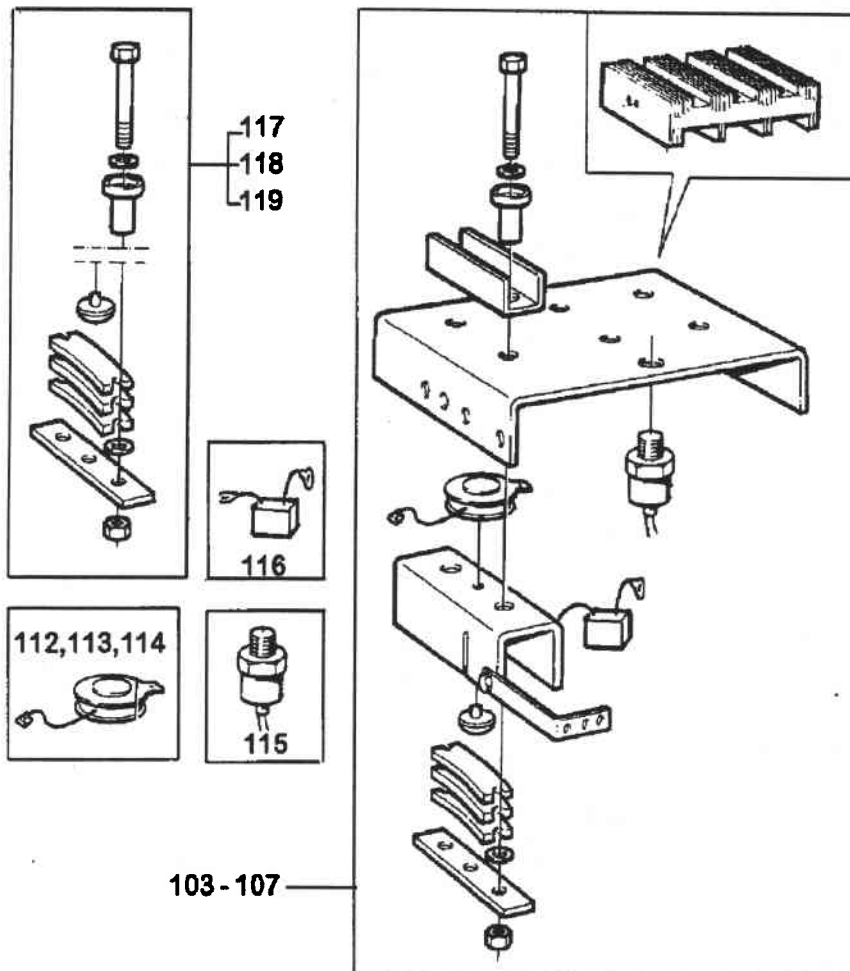


AK0160

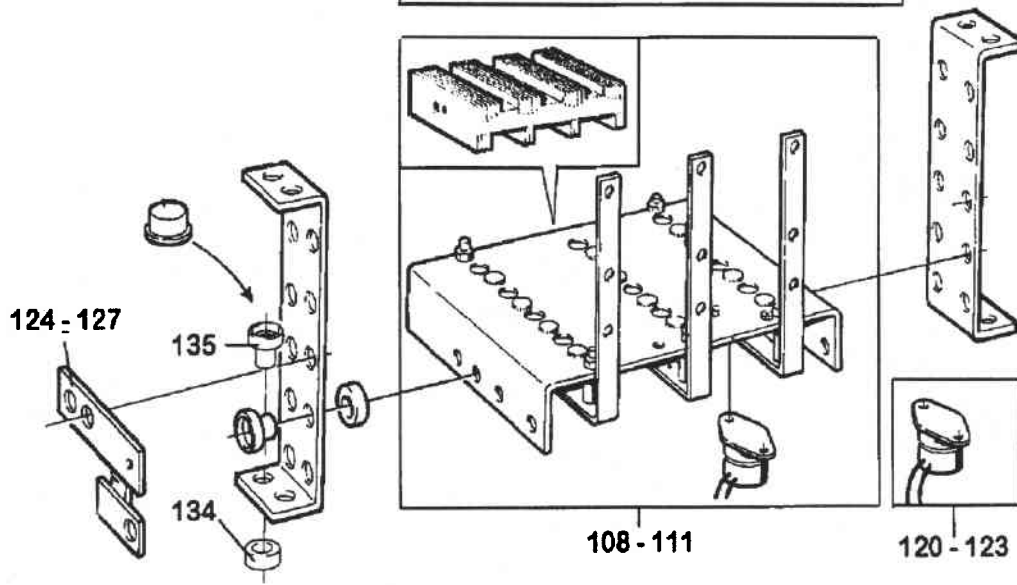
bh13s002



bh13s003



AH 0255



bh10s005