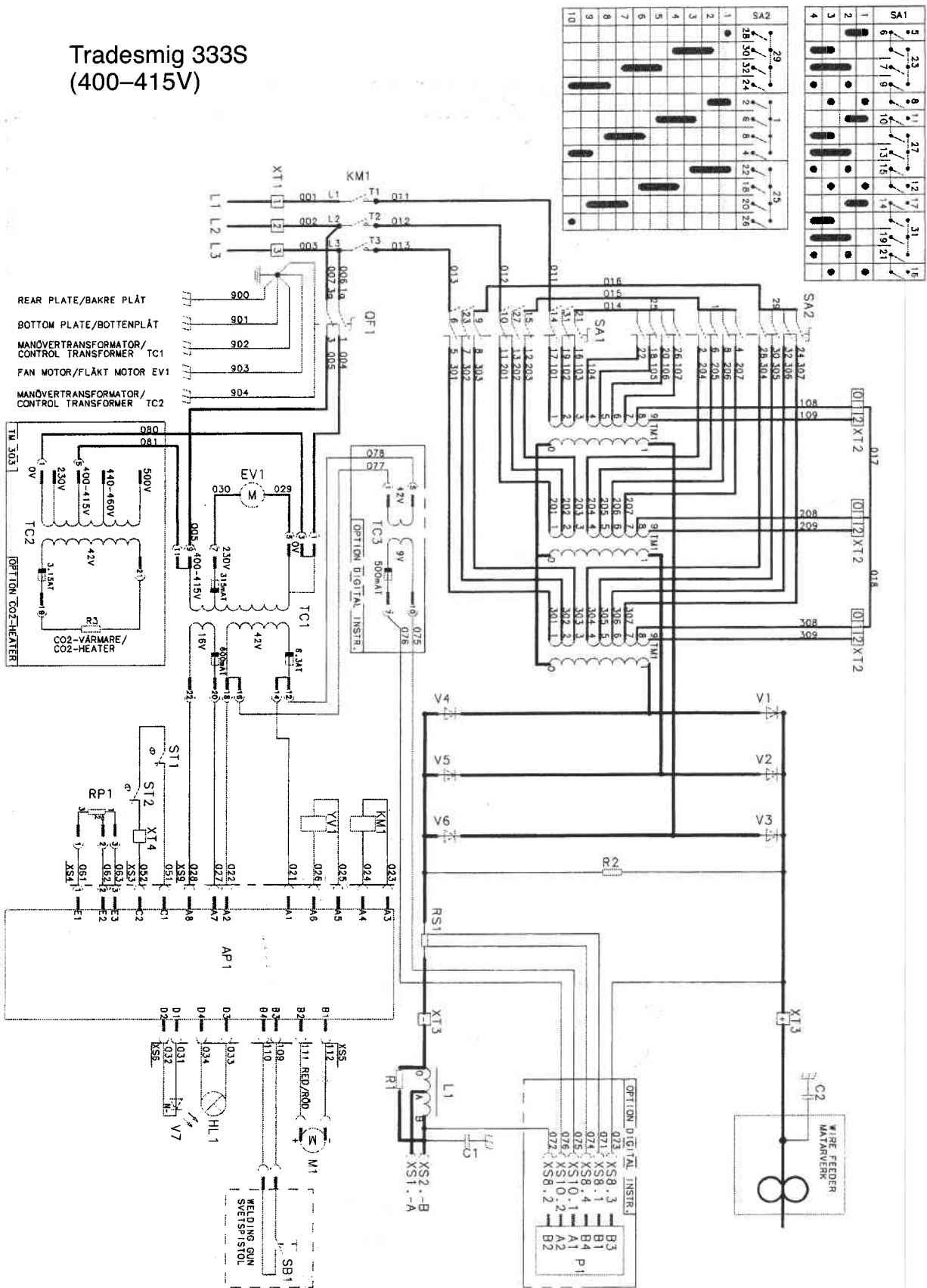
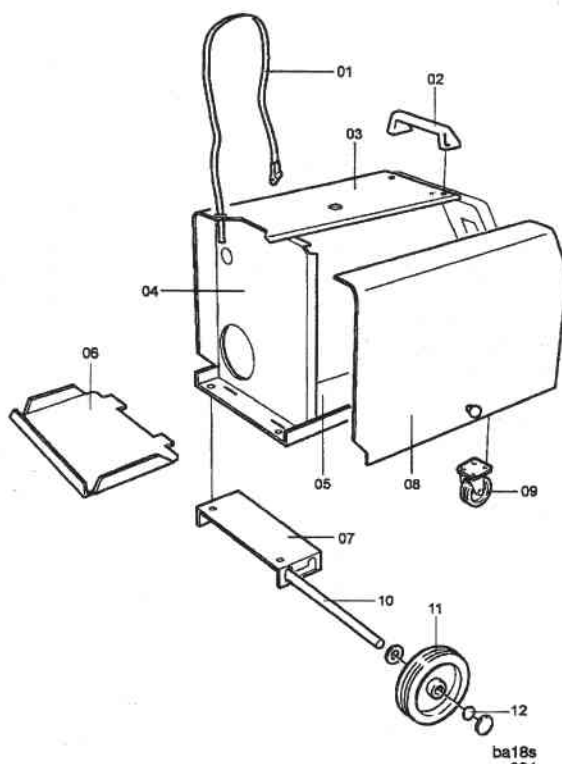


Tradesmig 333S (400-415V)



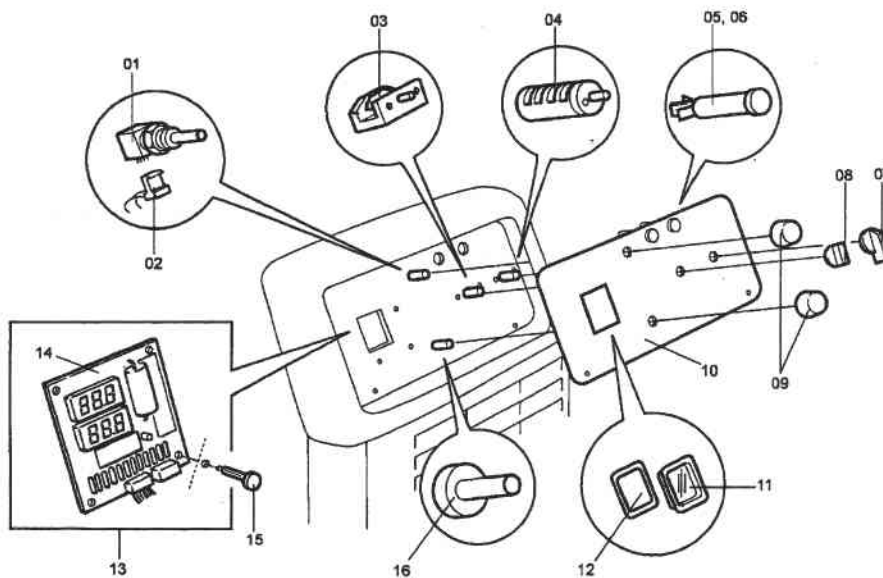
SPARE PARTS LIST Tradesmig 283S

Item	Qty	Ordering no.	Denomination	Notes
01	1	0368 265 002	Securing strap	
02	1	0455 833 002	Handle	
03	1	0456 026 001	Cover with text	
04	1	0455 474 001	Rear panel	
05	1	0455 476 001	Base plate	
06	1	0455 986 001	Shelf	
07	1	0455 814 001	Clamp	
08	1	0456 025 001	Side panel with text	
09	2	0455 467 001	Castor wheel	Ø 100mm h=125mm
10	1	0469 516 003	Shaft	
11	2	0455 457 001	Wheel	Ø 200mm
12	2	0192 859 126	Locking washer	



C = component designation in the circuit diagram

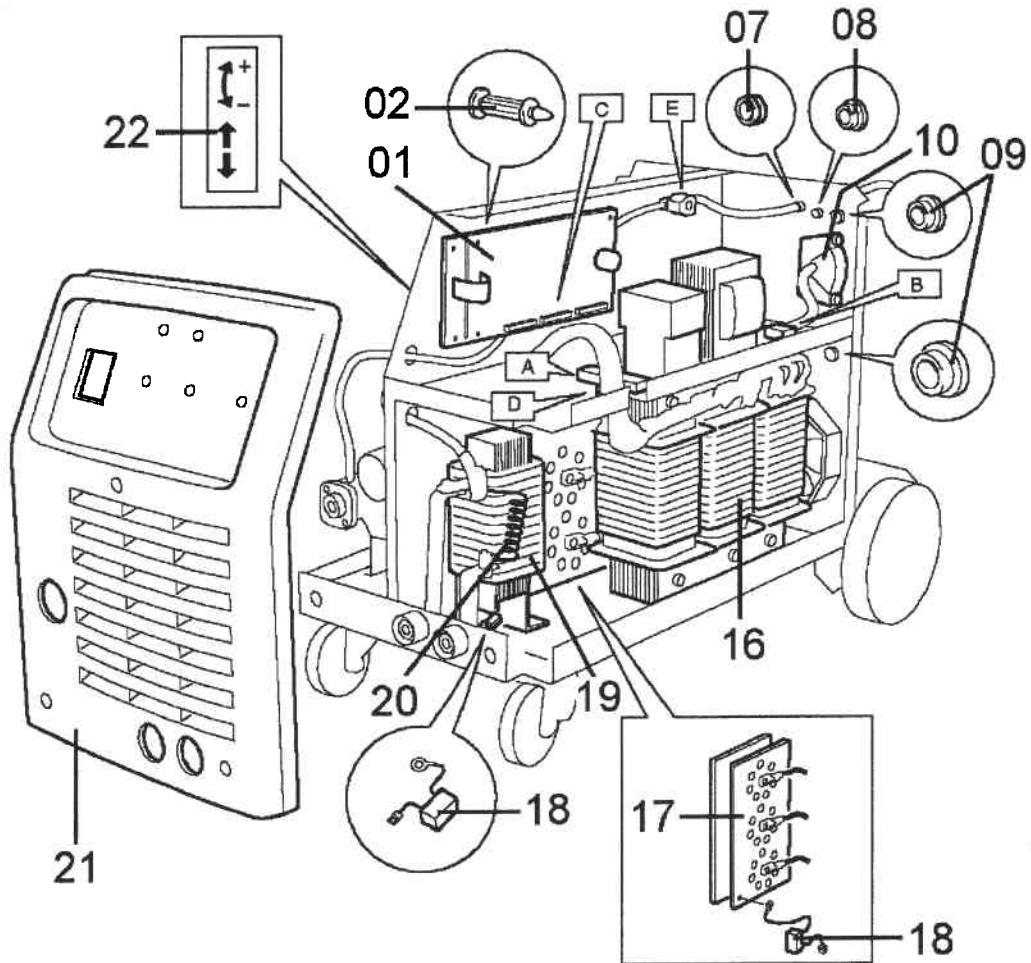
Item	Qty	Ordering no.	Denomination	Notes	C
01	1	0191 870 616	Potentiometer	10 kΩ	RP1
02	1	0193 260 063	Connector	4 pole	
03	1	0366 295 002	Switch		QF1
04	1	0193 945 001	Switch	10 step, item 07 is included	SA2
05	1	0369 733 005	Light-emitting diode	Yellow	V7
06	1	0369 733 007	Indicating lamp	42 VAC, white	HL1
07	1		Knob	Included in item 04	
08	1	0366 296 001	Knob		
09	2	0321 475 882	Knob		
10	1	0455 828 001	Panel with text		
11	1	0455 172 001	Protection glass		
12	1	0455 174 001	Seal		
13	1	0456 008 880	Digital instrument	Option, complete.	PI
14	1	0486 317 880	Circuit board	For digital instrument	
15	2	0455 226 010	Spacer	For circuit board (digital instr.)	
	1	0455 226 004	Spacer	For circuit board (digital instr.)	
16	1	0455 847 882	Potentiometer, compl.	10 kΩ + 1 pole	RP2



ba18s
nnc

C = component designation in the circuit diagram

Item	Qty	Ordering no.	Denomination	Notes	C
01	1	0486 305 881	Circuit board		AP1
02	5	0455 226 005	Spacer		
03	1	0193 260 150	Connector	2-pole	XS3
	2	0193 260 152	Connector	4-pole	XS5, XS6
	2	0193 260 062	Connector	3-pole	XS4, XS7
	1	0193 260 156	Connector	8-pole	XS9
04	1	0191 954 101	Hose	∅ 8/5 To be ordered per metre, x,xx metre as delivered.	
05	1	0193 054 002	Solenoid valve	42V	YV 1
06	1	0190 315 102	Hose	∅ 11/4.8 reinforced PVC. To be ordered per metre, x metre as delivered.	
07	1	0040 859 404	Grommet		
08	1	0192 230 110	Cover	∅ 20mm	
09	2	0192 230 114	Cover	∅ 30mm	
10	1	0469 950 880	Cable inlet		
11	1	0486 364 880	Terminal	3-pole	XT1
12	1	0455 637 001	Control transformer	163 VA, 400-415 V mains voltage	TC1
13	1	0193 922 001	Contacteur	400-415 V mains voltage	KM1
14	0.75	0193 655 012	Terminal	12-pole	XT2
15	1	0192 041 139	Grommet		
16	1	0455 486 880	Transformer	Complete, 400-415 V mains voltage	TM1
17	1	0455 815 880	Diode bridge	Complete	V1-V 6
18	2	0469 380 881	Capacitor	0.1 µF 250 Vf with cable lugs	C1, C2
19	1	0455 818 880	Inductor		L1
20	1	0368 593 001	Resistor		R1
21	1	0455 620 002	Front		

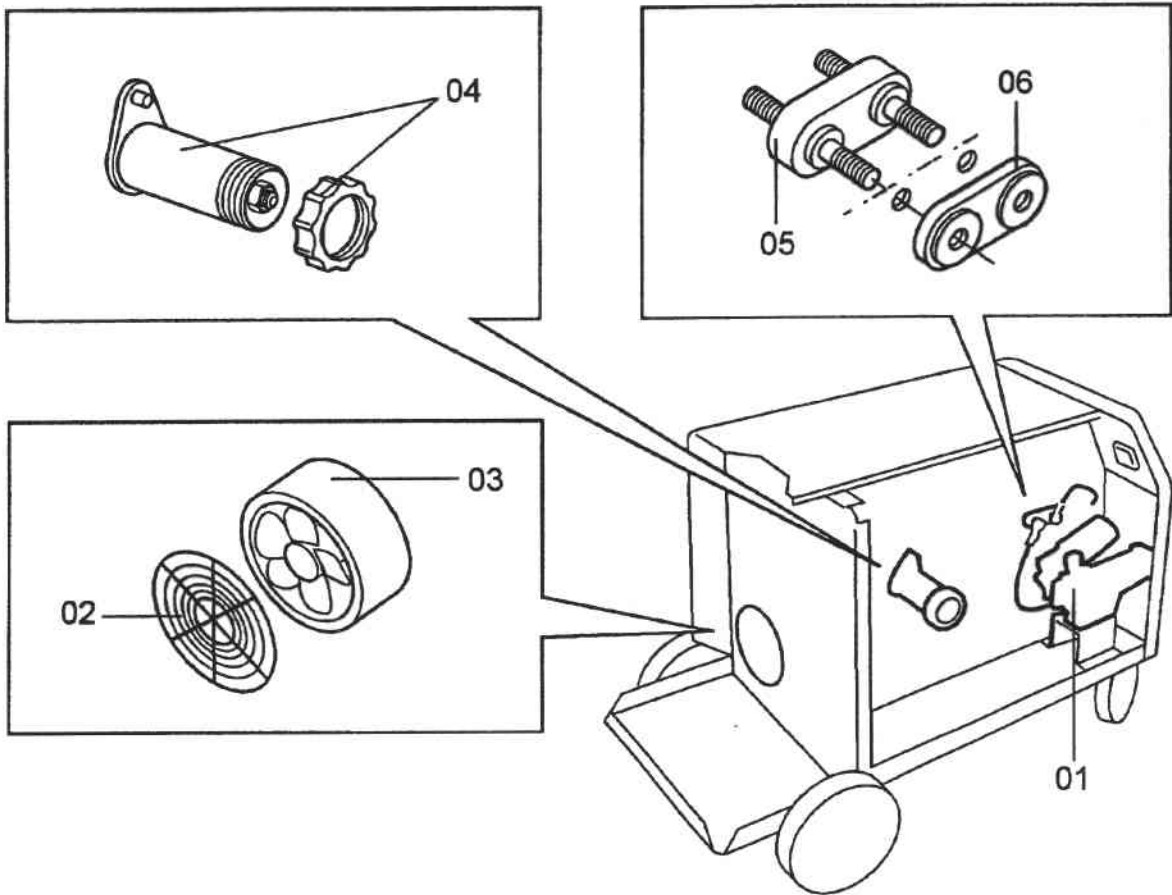


ba18s009



C = component designation in the circuit diagram

Item	Qty	Ordering no.	Denomination	Notes	C
01	1	0455 890 892	Wire feeder		
02	1	0455 839 001	Air outlet grill		
03	1	0455 838 001	Fan		EV1
04	1	0469 474 001	Brake hub		
05	1	0469 377 001	Connection block		XT3
06	1	0469 378 001	Insulation		



ba18s007

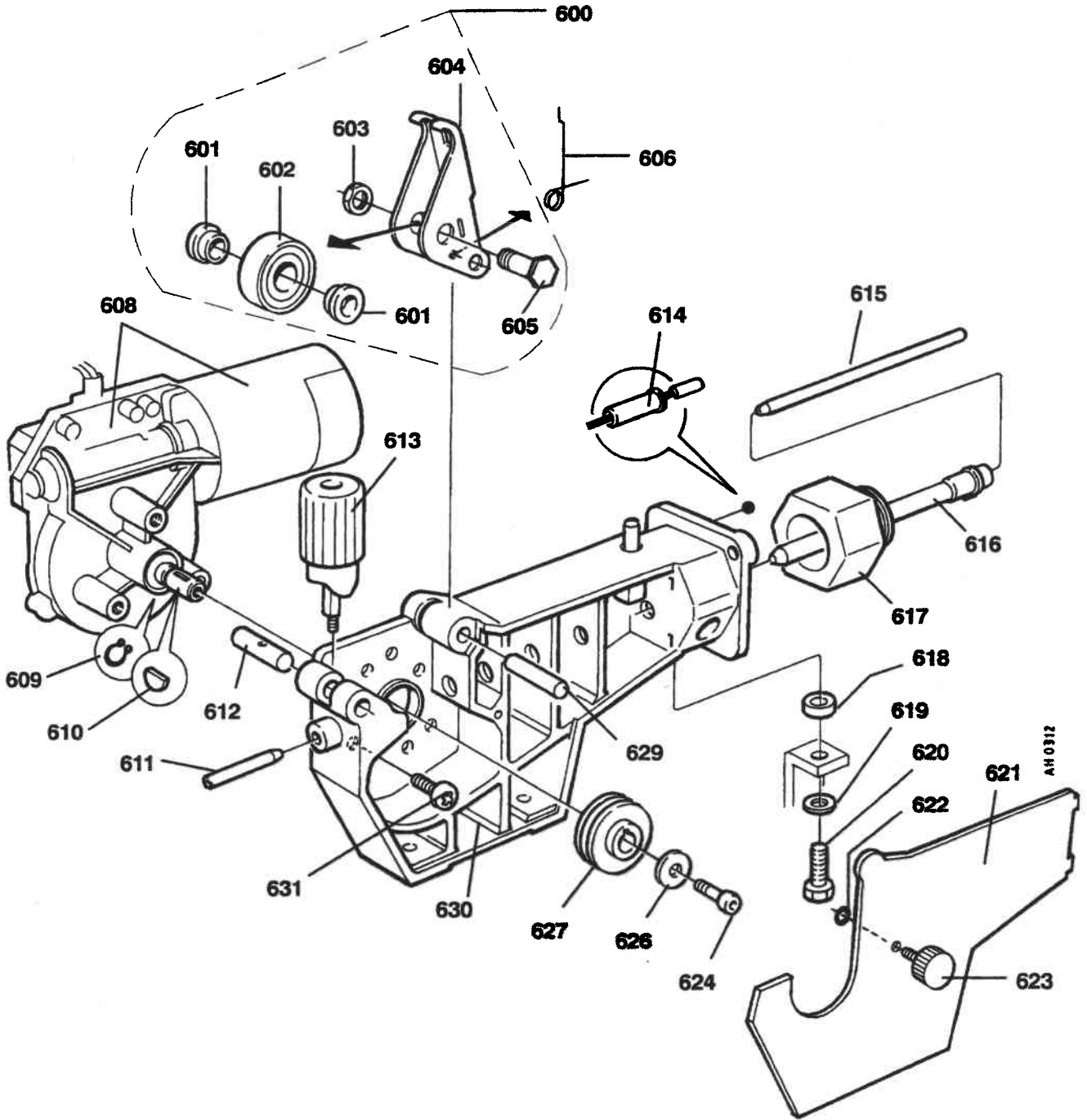


WIRE FEED UNIT TM 283S

C = component designation in the circuit diagram

Item	Qty	Ordering no.	Denomination	Notes	C	
-	-	0455 890 892	Feed unit	Complete, contains items 601 - 631		
600	1	0367 529 001	Pressure arm	Complete, contains items 601 - 605		
601	1	0455 906 001	Spacer sleeve			
602	1	0455 907 001	Pressure roller			
		0466 262 001	Pressure roller *			Knurled SGA D8
603	1		Nut			
604	1		Holder			
605	1		Shaft			
606	1	0455 896 001	Spring			
608	1	0466 489 001	Drive unit		M01	
609	1	0215 701 007	Locking washer	Included in item 608		
610	1	0191 496 114	Key	Included in item 608		
611	1	0466 074 001	Inlet nozzle			
612	1	0367 528 001	Pin bolt			
613	1	0368 749 880	Pressure transducer			
614	2	0368 750 001	Insulating sleeve			
615a	1	0455 894 001	Insert tube	Plastic, must be used together with item 616a		
615b	1	0455 889 001	Insert tube	Steel, must be used together with item 616b Delivered from machine no. XXX 640 XXXX		
616a	1	0455 885 001	Outlet nozzle	Must be used together with item 615a		
616b	1	0455 886 001	Outlet nozzle	Must be used together with item 615b Delivered from machine no. XXX 640 XXXX		
617	1	0455 882 001	Current sleeve			
618	1	0455 883 001	Spacer sleeve	∅ 16/8.2x0.9		
619	1		Washer	∅ 16/8.4x1.5		
620	1		Screw	M8x20		
621	1	0455 881 001	Protection plate			
622	1	0215 201 202	O-ring			
623	1	0455 898 001	Screw	(M5x12)		
624	1		Screw	M4x12		
626	1	0193 104 002	Washer			
627	1	1411470 0367 556 001	Feed roller *	For ∅ 0.6 - 0.8 mm Fe, Ss wire		
	1	1411471 0367 556 002	Feed roller	For ∅ 0.8 - 1.0 mm Fe, Ss wire		
	1	1411494 0367 556 006	Feed roller *	For ∅ 1.0 - 1.2 mm cored wire		
	1	1411489 0367 556 004	Feed roller *	For ∅ 1.0 - 1.2 mm Al wire		
629	1	0455 893 001	Shaft			
630	1	0455 884 001	Gear housing			
631	3		Screw	M6x16		

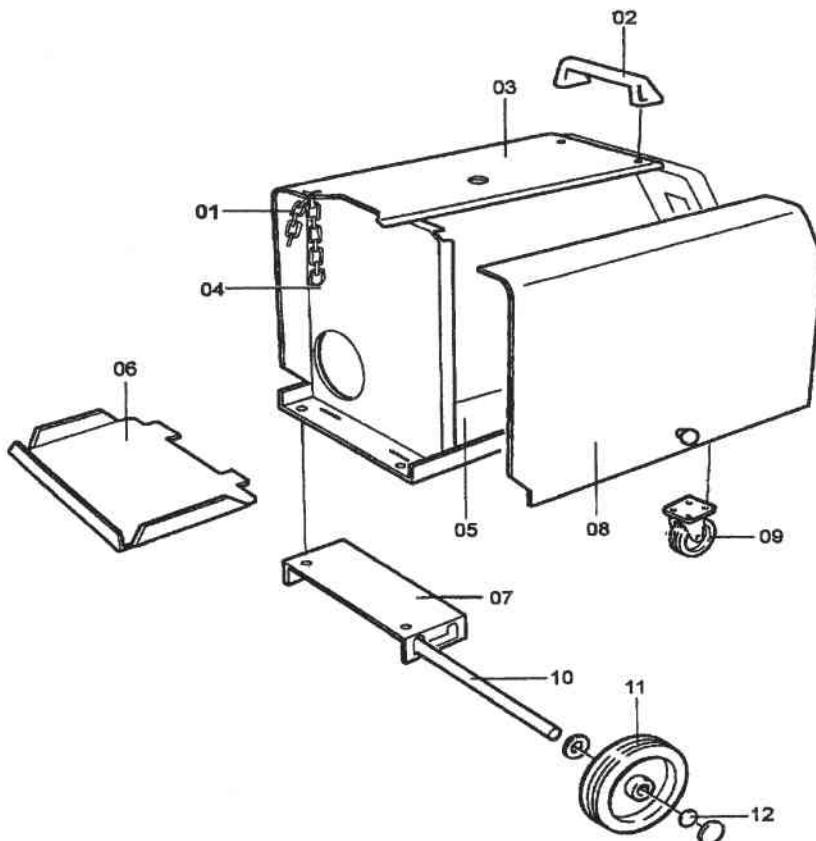
* = accessories



clkb0p08

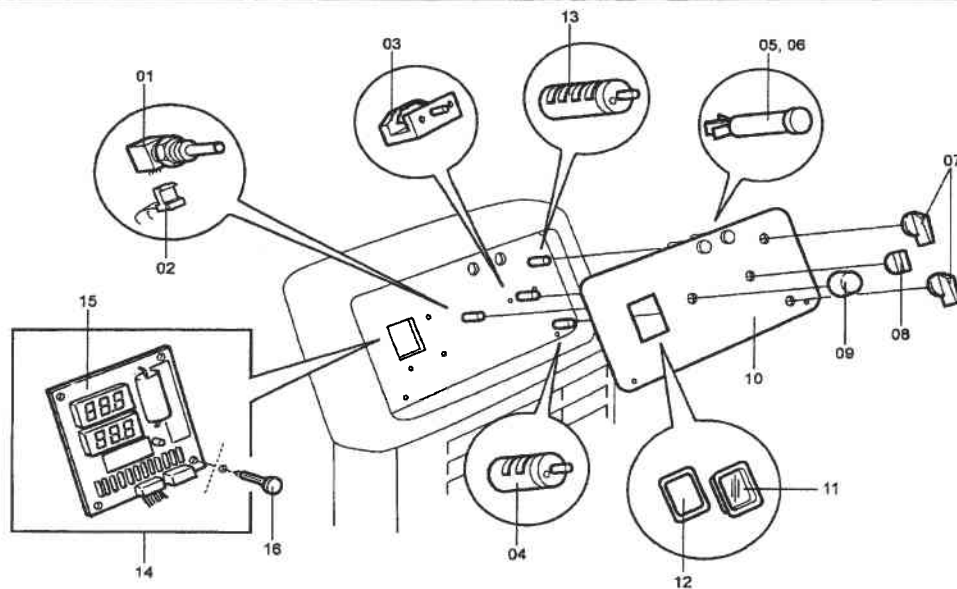
SPARE PARTS LIST Tradesmig 333S

Item	Qty	Ordering no.	Denomination	Notes
01	1	0321 173 001	Chain	
02	1	0455 833 002	Handle	
03	1	0456 026 001	Cover with text	
04	1	0455 474 001	Rear panel	
05	1	0455 476 001	Base plate	
06	1	0455 986 001	Shelf	
07	1	0455 814 001	Clamp	
08	1	0456 025 001	Side panel with text	
09	2	0455 467 001	Castor wheel	∅ 100mm h=125mm
10	1	0469 516 003	Shaft	
11	2	0455 457 001	Wheel	∅ 200mm
12	2	0192 859 126	Locking washer	



C = component designation in the circuit diagram

Item	Qty	Ordering no.	Denomination	Notes	C
01	1	0191 870 616	Potentiometer	10 kΩ	RP1
02	1	0193 260 063	Connector	4 pole	
03	1	0366 295 002	Switch		QF1
04	1	0193 945 001	Switch	10 step, item 07 is included	SA2
05	1	0369 733 005	Light-emitting diode	Yellow	V7
06	1	0369 733 007	Indicating lamp	42 VAC, white	HL1
07	2		Knob	Included in items 13 and 04	
08	1	0366 296 003	Knob		
09	1	0321 475 893	Knob		
10	1	0455 829 001	Panel with text		
11	1	0455 172 001	Protection glass		
12	1	0455 174 001	Seal		
13	1	0193 942 001	Switch	4 step, item 07 is included	SA1
14	1	0456 008 880	Digital instrument	Option, complete.	PI
15	1	0486 317 880	Circuit board	For digital instrument	
16	2	0455 226 010	Spacer	For circuit board	
	1	0455 226 004	Spacer	For circuit board	



ba18s0
06