

Spare parts Transmig 253

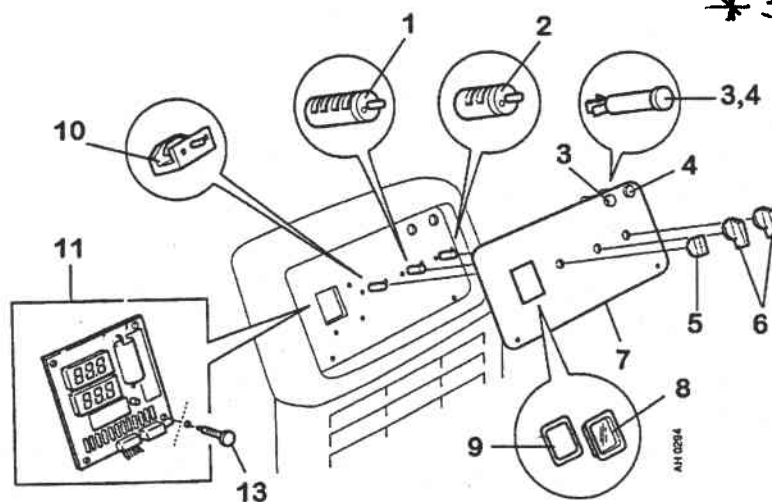
Ordering numbers for Transmig 253 welding rectifiers

Ordering no.	Denomination	Notes
1415282	TM 253	400-415 V 3~ 50 Hz

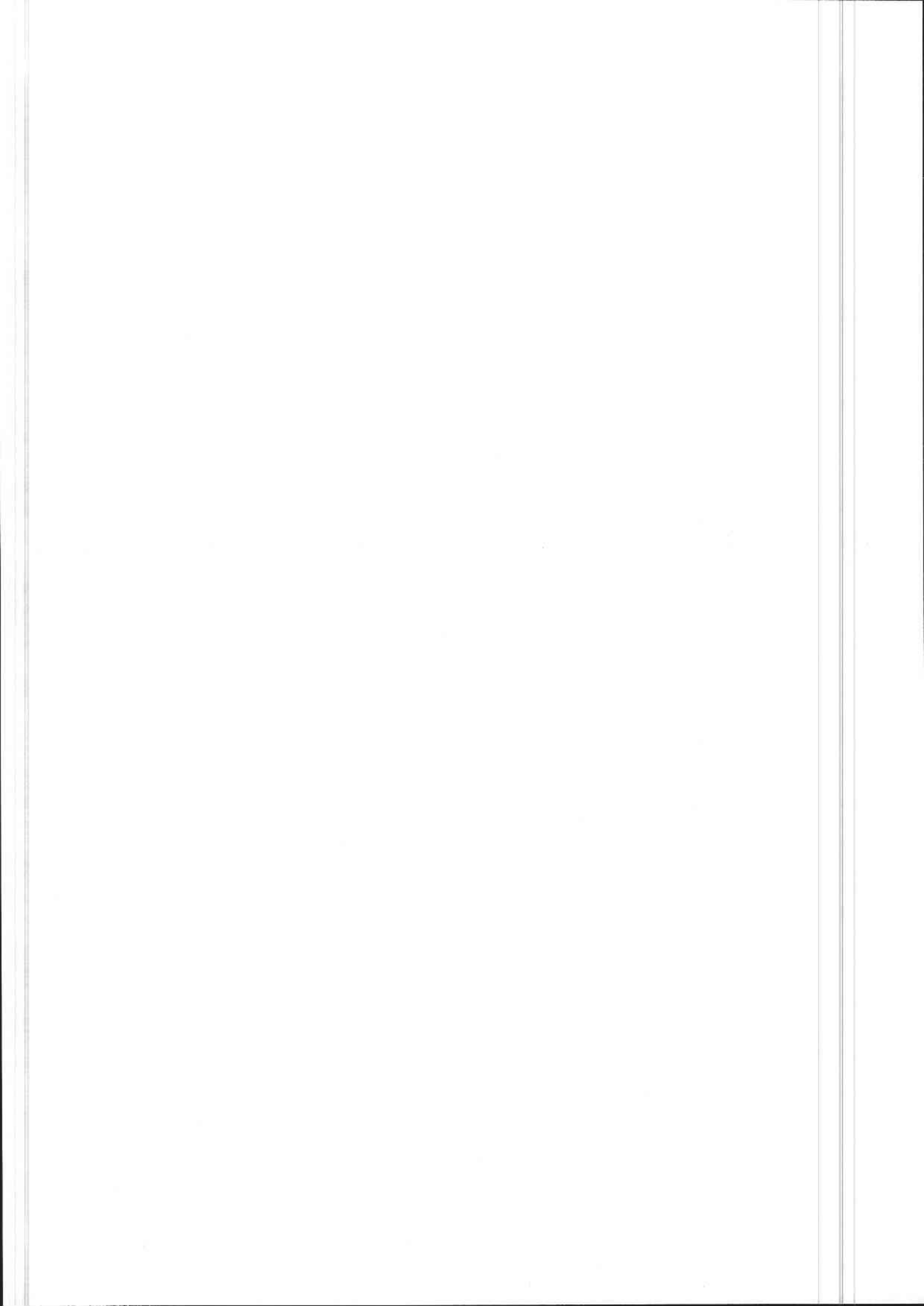
Spare parts list

Spare parts can be ordered through the nearest Murex distributor.

Item no.	Qty	Ordering no.	Denomination	Notes
1	1	193 942-001	Switch -	4 step, item 6 is included
2	1	193 945-001	Switch	10 step, item 6 is included
3	1	369 733-002	Indicating lamp ✓	48 VAC, orange
4	1	369 733-007	Indicating lamp ✓	42 VAC, white - on/off.
5	1	366 296-002	Knob ✕	
6	2		Knob ✕	Included in items 1 and 2
7	1	455 610-001	Panel with text	
8	1	455 174-001	Seal	
9	1	455 172-001	Protection glass	
10	1	366 295-002	Switch -	
11	1	486 317-880	Circuit board	For digital instrument ,
13	3	455 226-010	Spacer	For circuit board

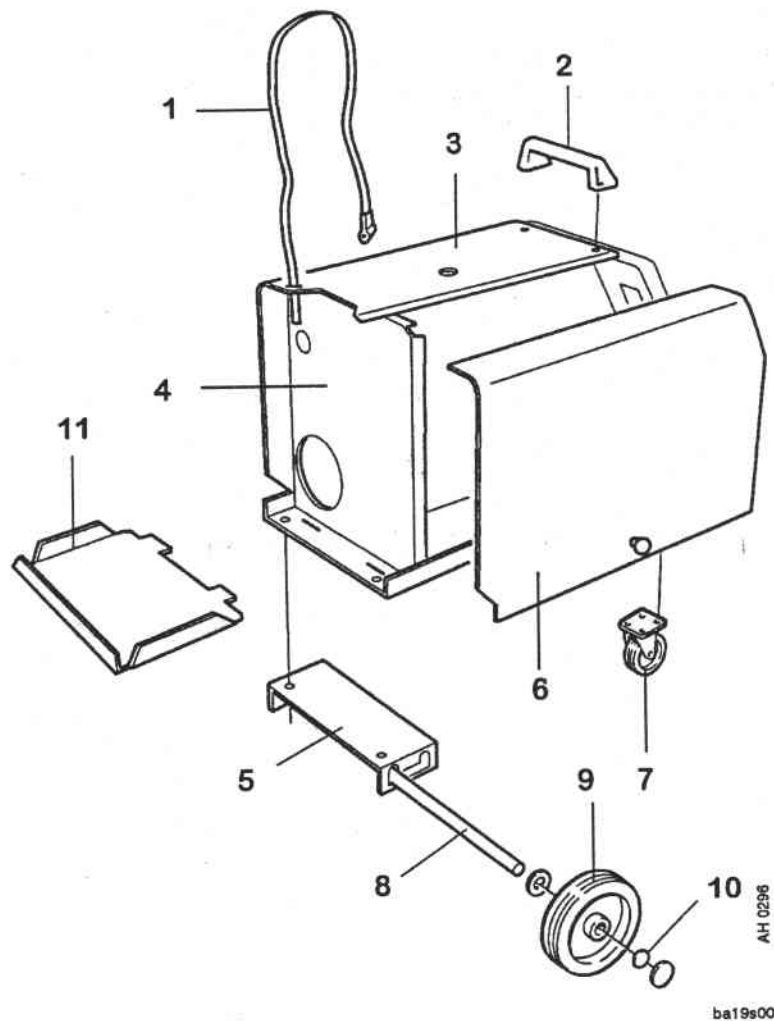


ba19s001



Item no.	Qty	Ordering no.	Denomination	Notes
1	1	368 265-002	Securing strap	
2	1	455 833-002	Handle	
3	1	456 026-001	Cover with text	
4	1	455 474-001	Rear panel	
5	1	455 814-001	Clamp	
6	1	456 025-001	Side panel with txt	
7	2	455 467-001	Castor wheel	∅ 100mm h=125mm
8	1	469 516-003	Shaft	
9	2	455 457-001	Wheel	∅ 200mm
10	2	192 859-126	Locking washer	
11	1	469 684-001	Shelf	

455 620002 Front Panel



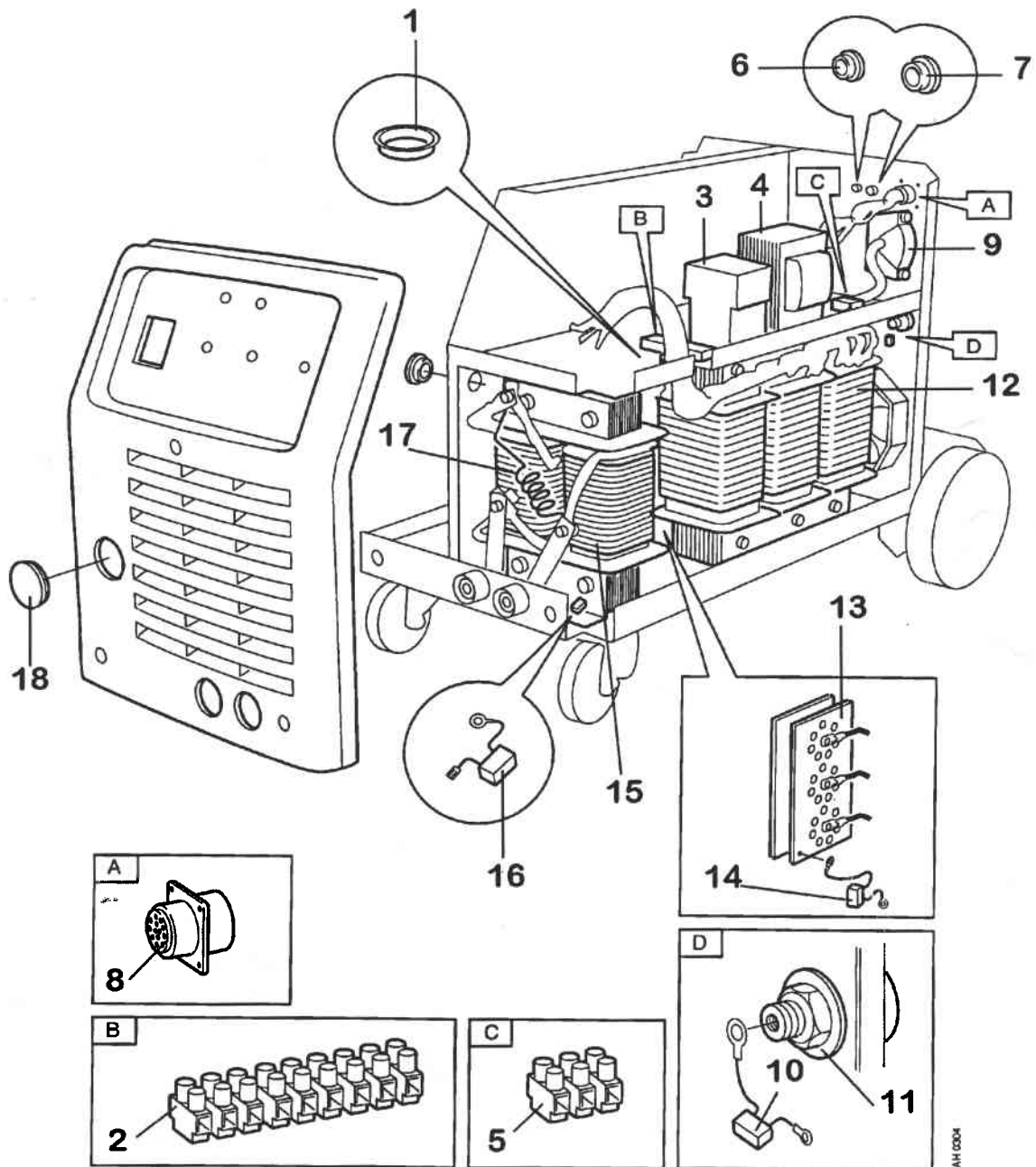
Fan - 455 838001
 Air outlet grill 455 839001

Item no.	Qty	Ordering no.	Denomination	Notes
1	1	192 041-139	Grommet	
2	1	193 655-012	Terminal	12-pole
3	1	193 923-001	Contacteur	400-415 V mains voltage
4	1	455 633-001	Transformer	255 VA
5	1	162 781-002	Terminal	3-pole
6	1	192 230-110	Cover	ø 20mm
7	1	368 544-005	Sleeve socket	23-pole
8		323 945-003	Sleeve	
9	1	469 950-880	Cable inlet	
10	1	467 911-881	Capacitor	with cable lugs
11	3	160 362-881	Terminal	OKC 50
12	1	455 618-880	Transformer	Complete, 400-415 V
13	1	455 815-881	Diode bridge	Complete
14	1	469 380-881	Capacitor	
15	1	455 328-880	Inductor	
16	1	467 911-881	Capacitor	
17	1	466 479-002	Resistor	
18	1	192 230-117	Cover plug	ø 50 mm

NOT SHOWN 1 455639-001 CO2 TRANSFORMER

NOT SHOWN 2 160362881 Dinse Socket

Z mounting support bkt 456005001.



AM 0004

ba19s006

Spare parts Transmig 353/353W

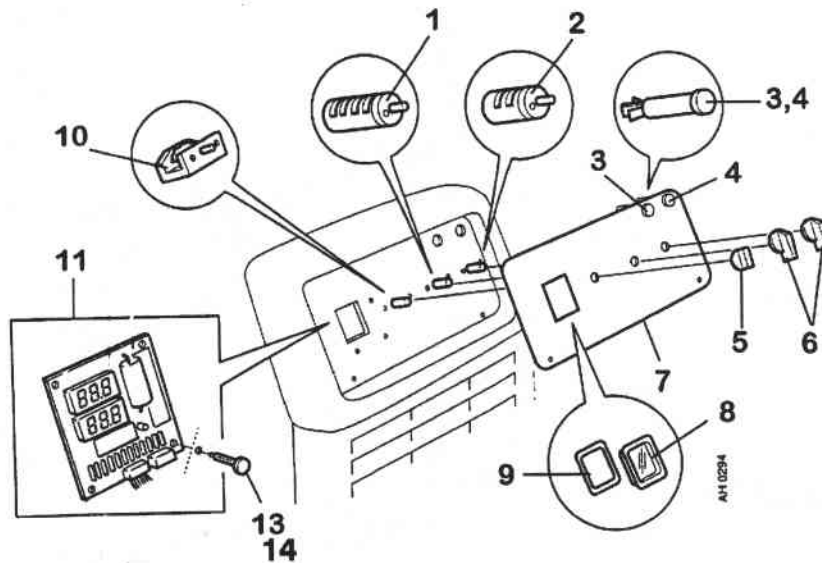
Ordering numbers for Transmig 353 /353W welding rectifiers

Ordering no.	Denomination	Notes
1415283	TM 353	400-415 V 3~ 50 Hz
1415284	TM 353 W	400-415 V 3~ 50 Hz

Spare parts list

Spare parts can be ordered through the nearest Murex distributor.

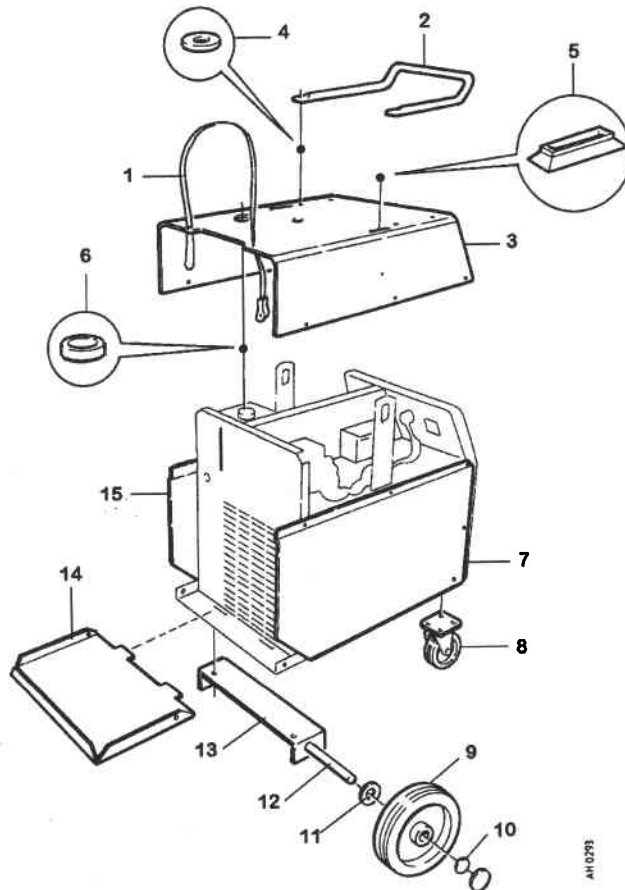
Item no.	Qty	Ordering no.	Denomination	Notes
1	1	193 942-001	Switch	4 step, item 6 is included
2	1	193 945-001	Switch	10 step, item 6 is included
3	1	369 733-007	Indicating lamp	42 VAC, white
4	1	369 733-002	Indicating lamp	48 VAC, orange
5	1	366 296-001	Knob	Included in items 1 and 2
6	2		Knob	
7	1	455 877-002	Panel with text	
8	1	455 174-001	Seal	
9	1	455 172-001	Protection glass	
10	1	366 295-002	Switch	
11	1	486 317-880	Digital instrument	
13	2	455 226-010	Spacer	For circuit board
14	1	455 226-004	Spacer	For circuit board



ba19s001

SHUNT 456 027 881

Item no.	Qty	Ordering no.	Denomination	Notes
1	1	368 265-002	Securing strap	
2	1	469 868-002	Handle	
3	1	469 681-002	Cover	
4	4	366 481-002	Seal	
5	2	468 797-001		
6	1	366 481-003	Seal	
7	1	455 811-001	Side panel with text	Left
8	2	469 873-001	Castor wheel	∅ 125mm h=150mm
9	2	469 872-001	Wheel	∅ 250mm
10	2	192 859-126	Locking washer	
11	2	2151 000-37	Washer	
12	1	469 516-002	Shaft	
13	1	469 685-001	Clamp	
14	1	469 684-001	Shelf 4566830d	
15	1	456 023-001	Side panel with text	Right



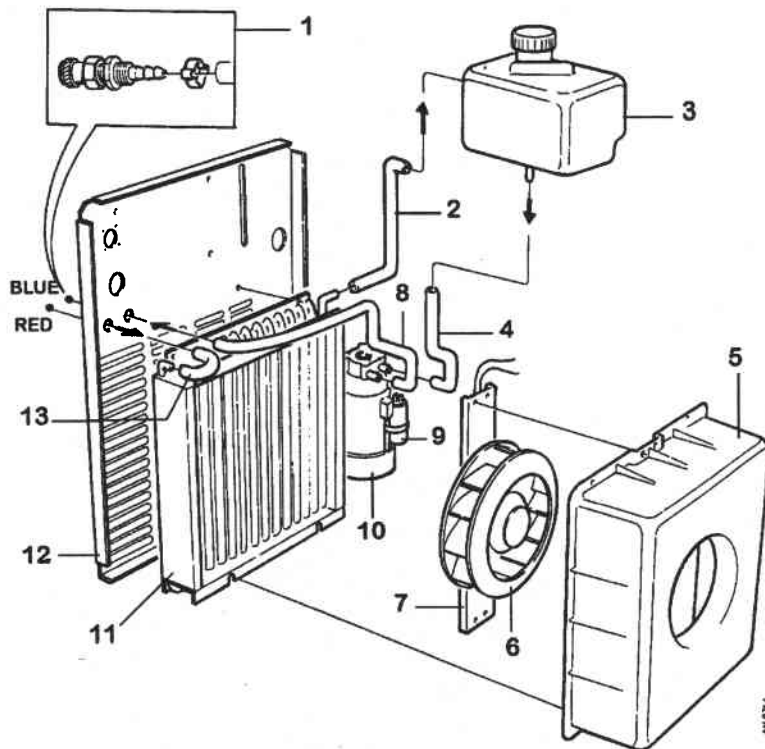
5420

ba19s0
02

Swivel Post 455 834 880

Item no.	Qty	Ordering no.	Denomination	Notes
1	1	365 803-008	Quick connector	Female, red
1	1	365 803-009	Quick connector	Female, blue
2	1	455 162-001	Hose	
3	1	469 689-001	Water tank	
4	1	455 164-001	Hose	
5	1	469 893-001	Fan housing	
6	1	369 827-001	Fan	
7	1	455 165-001	Attachment	
8	1	455 163-001	Hose	
9	1	191 085-206	Capacitor	5 μ F 400 V
10	1	469 692-001	Pump	1A 0.2kW 230V 50Hz,
11	1	469 688-001	Cooler	
12	1	469 677-001	Rear panel with text	
13	1	455 161-001	Hose	

EMC FILTER 486 364 880
(none used in 253)

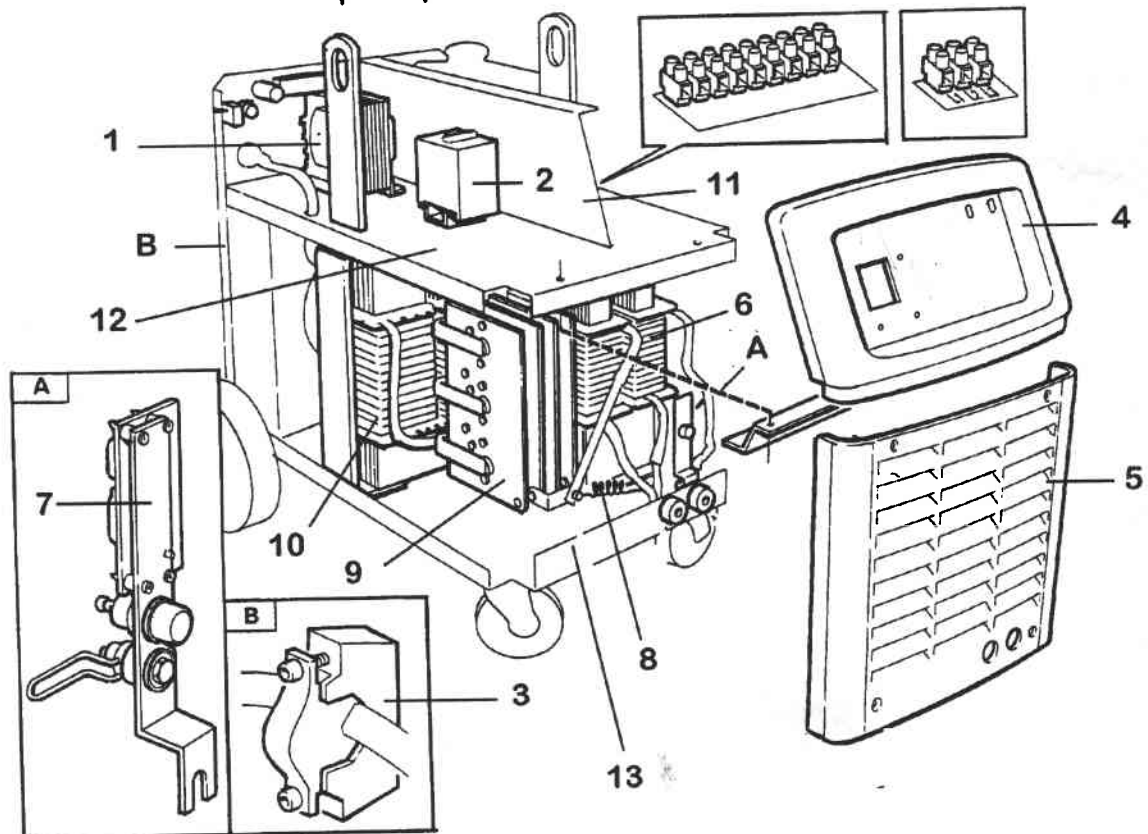


ba19s003

Item no.	Qty	Ordering no.	Denomination	Notes
1	1	455 628-001	Control transformer	400-415 V
2	1	193 923-001	Contactor	400-415 V
3	1	469 950-880	Cable inlet	
4	1	469 704-002	Front panel	
5	1	469 703-002	Front grill	
6	1	455 627-880	Inductor	
7	1	367 070-881	Inductor short-circuiter	
8	1	466 479-001	Resistor	
9	1	455 488-880	Diode bridge	
10	1	455 498-881	Transformer	400-415 V
11	1	469 678-001	Centre plate	
12	1	455 830-001	Intermediate plate	
13	1	469 672-001	Base plate	

NOT SHOWN 1 455 63900 CO2 TRANSFORMER

mounting support bkt 456005001



ba19s004



Notes

A series of 20 horizontal dotted lines for taking notes.

137-52-321 del map a production 1