

Brake Hub – 146 967 881

Parts list only for machines with serial number from 618

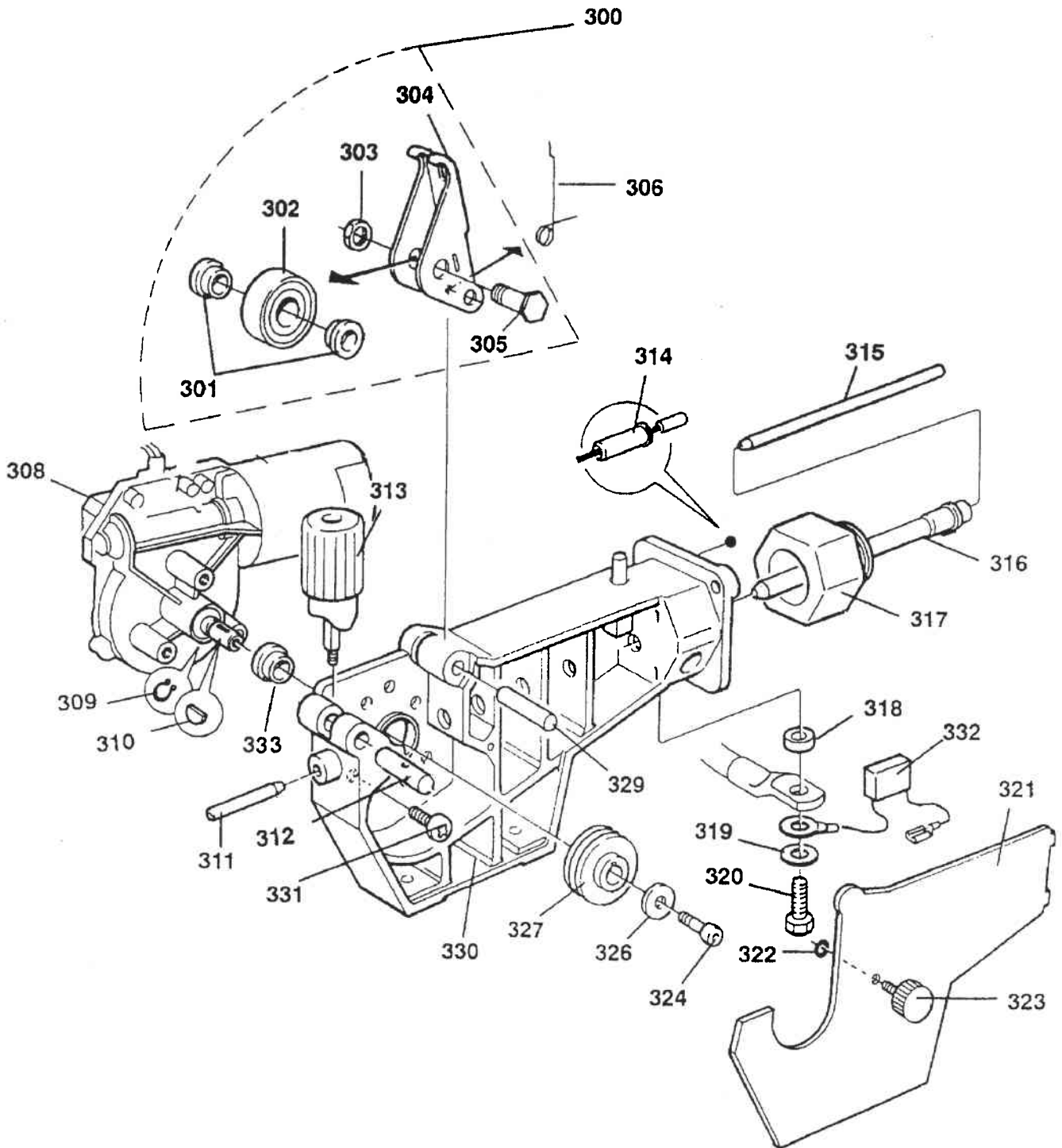
WIRE FEED UNIT

C = component designation in the circuit diagram

Item no.	Qty	Ordering no.	Denomination	Notes	C
-	-	455 890-890	Feed unit	Complete, contains items 301 - 333	
300	1	367 529-001	Pressure arm	Complete, contains items 301 - 305	
301	1	455 906-001	Spacer sleeve		
302	1	455 907-001	Pressure roller		
		466 262-001	Pressure roller *	Knurled	
303	1		Nut	SGA D8	
304	1		Holder		
305	1		Shaft		
306	1	455 896-001	Spring		
308	1	469 397-001	Drive unit		M1
309	1	2157 010-07	Locking washer	Included in item 308	
310	1	191 496-114	Key	Included in item 308	
311	1	466 074-001	Inlet nozzle		
312	1	367 528-001	Pin bolt		
313	1	368 749-880	Pressure transducer		
314	2	368 750-001	Insulating sleeve		
315	1	455 894-001	Insert tube		
316	1	455 885-001	Outlet nozzle		
317	1	455 882-001	Current sleeve		
318	1	455 883-001	Spacer sleeve	∅ 16/8.2x0.9	
319	1		Washer	∅ 16/8.4x1.5	
320	1		Screw	M8x20	
321	1	455 881-001	Protection plate		
322	1	2152 012-02	O-ring		
323	1	455 898-001	Screw	(M5x12)	
324	1		Screw	M4x12	
326	1	193 104-002	Washer	∅ 16/5x1	
327	1	367 556-001	Feed roller	For ∅ 0.6 - 0.8 mm Fe, Ss and cored wire	
	1	367 556-002	Feed roller *	For ∅ 0.8 - 1.0 mm Fe, Ss and cored wire	
	1	367 556-006	Feed roller *	Knurled, for ∅ 1.0 - 1.2 mm cored wire	
	1	367 556-004	Feed roller *	For ∅ 1.0 - 1.2 mm Al wire	
329	1	455 893-001	Shaft		
330	1	455 884-001	Gear housing		
331	3	2121 107-42	Screw	B12x16	
332	1	469 380-881	Capacitor	PME 0.1 µF 400 V, with cable lugs	C3
333	1	455 892-001	Spacer sleeve		

* = accessories

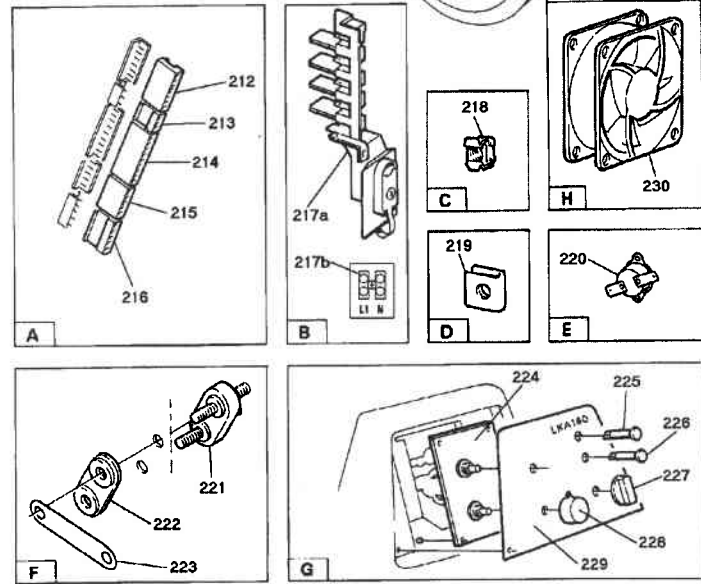
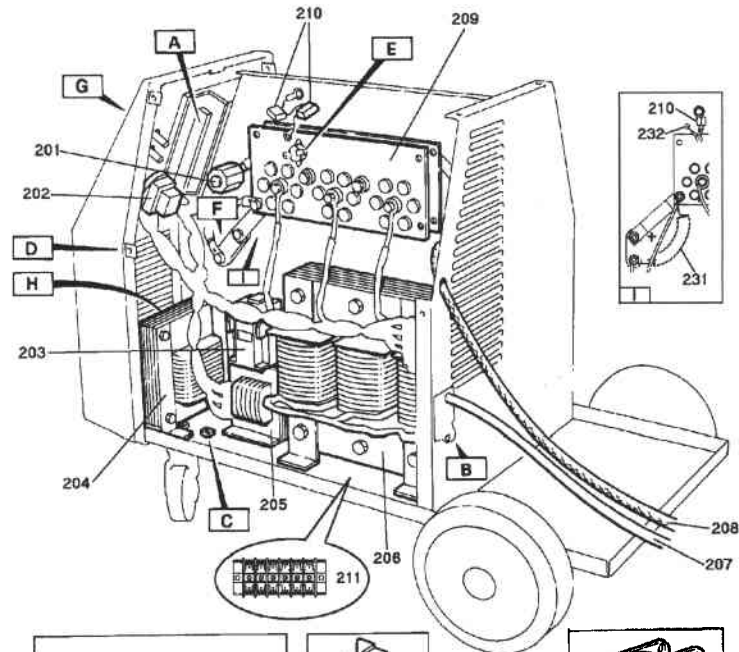
WIRE FEED UNIT



180= LKA180 240= LKA240 1ph= 1 phase 230V rec= reconnectable 230/400V 400= 400 V mains supply voltage
C = component designation in the circuit diagram

Item no	Qty 180 1ph	Qty 180 400	Qty 180 rec	Qty 240 400	Qty 240 rec	Ordering no.	Denomination	Notes	C
201	1	1	1	1	1	193 054-002	Gas valve		YV1
202	1	-	-	-	-	469 659-001	Switch	With knob (item 227)	QF1
	-	1	-	-	-	469 472-001	Switch	Without knob (item 227)	QF1
	-	-	1	-	-	469 564-001	Switch	With knob (item 227)	QF1
	-	-	-	1	-	469 473-001	Switch	With knob (item 227)	QF1
	-	-	-	-	1	469 566-001	Switch	With knob (item 227)	QF1
203	1	-	-	-	-	193 297-101	Contacteur		KM1
	-	1	1	1	1	193 296-104	Contacteur		KM1
204	1	-	-	-	-	469 300-880	Inductor		L1
	-	1	1	1	1	469 295-880	Inductor		L1
205	1	-	1	-	1	469 563-001	Control transformer	Primary voltage 230/400 V	TC1
	-	1	-	1	-	469 470-001	Control transformer	Primary voltage 400 V	TC1
206	1	-	-	-	-	469 660-880	Main transformer	Thermal cutout ST1 included	TM1
	-	1	1	-	-	469 285-880	Main transformer	Thermal cutout ST1 included	TM1
	-	-	-	1	1	469 290-880	Main transformer	Thermal cutout ST1 included	TM1
207	1	-	-	-	-	2626 133-14	Mains cable	3 x 2.5 mm ² 2.5 meter	
	-	1	-	1	-	2626 134-05	Mains cable	4 x 1.5 mm ² 2.5 meter	
	-	-	1	-	1	192 106-117	Mains cable	4 x 2.5 mm ² 2.5 meter to be ordered per meter	
208	1	1	1	1	1	190 315-102	Gas hose	To be ordered per meter 1.5 meter as delivered	
209	1	-	-	-	-	469 662-880	Diode bridge		V1 - V6
	-	1	1	-	-	469 318-880	Diode bridge		V1 - V6
	-	-	-	1	1	469 346-880	Diode bridge		V1 - V6
210	1	1	1	1	1	469 380-880	Capacitor	Set of 2 capacitors, PME 0.1F 400V, with cable lugs	C1 +C2
211	-	-	1	-	1	466 884-006	Terminal	6-pole	XT3
	-	-	1	-	1	469 569-001	Insulation	With text	
212	1	1	1	1	1	193 260-006	Connector	7-pole	XS3
213	1	1	1	1	1	193 260-151	Connector	3-pole, to R49 on AP1	
214	1	1	1	1	1	193 260-157	Connector	9-pole	XS1
215	1	1	1	1	1	193 260-153	Connector	5-pole, before ser.no. 618 ...	XS2
	1	1	1	1	1	193 260-150	Connector	2-pole, from ser.no. 618 ...	
	1	1	1	1	1	193 260-151	Connector	3-pole, from ser.no. 618 ...	
216	1	1	1	1	1	193 260-153	Connector	5-pole, to R50 on AP1	
217a	-	1	1	1	1	469 477-002	Cable inlet	With mains terminal	XT1
	1	-	-	-	-	469 477-001	Cable inlet		
217b	1	-	-	-	-	162 781-011	Mains terminal	Delivered as 12-pole, to be cut to 2-pole With text	XT1
	1	-	-	-	-	468 882-005	Insulation		
218	6	6	6	6	6	192 562-105	Cage nut	M6	
219	3	3	3	3	3	469 381-001	Speednut		
220	1	-	-	-	-	321 229-003	Thermal cutout	Opens at 110°C	ST2
	-	1	1	1	1	320 918-001	Thermal cutout	Opens at 130°C	ST2
221	1	1	1	1	1	469 377-001	Connection block		XT2
222	1	1	1	1	1	469 378-001	Insulation		
223	1	1	1	1	1	469 379-001	Bus bar		
224	1	1	1	1	1	486 159-880	Circuit board	Before ser.no. 618, and from ser.no. 717	AP1
	1	1	1	1	1	486 159-882	Circuit board	From ser.no. 618	AP1
225	1	1	1	1	1	193 759-002	Light-emitting diode	Yellow	V7
226	1	1	1	1	1	193 759-001	Indicating lamp	White, 28 V	HL1
227	-	1	-	-	-	366 296-001	Knob	Included in item 202	
	1	-	1	1	1		Knob		
228	2	2	2	2	2	191 510-104	Knob		

Item no	Qty 180 1ph	Qty 180 400	Qty 180 rec	Qty 240 400	Qty 240 rec	Ordering no.	Denomination	Notes	C
229	1	1	1	-	-	469 365-001	Panel	With text	
	-	-	-	1	1	469 366-001	Panel	With text	
230	1	-	-	1	1	469 479-001	Fan	24 V DC	EV1
231	1	-	-	-	-	467 169-001	Resistor		R1
232	1	-	-	-	-	369 864-881	Resistor	5.6 kΩ 5 W	R2



clka1p03