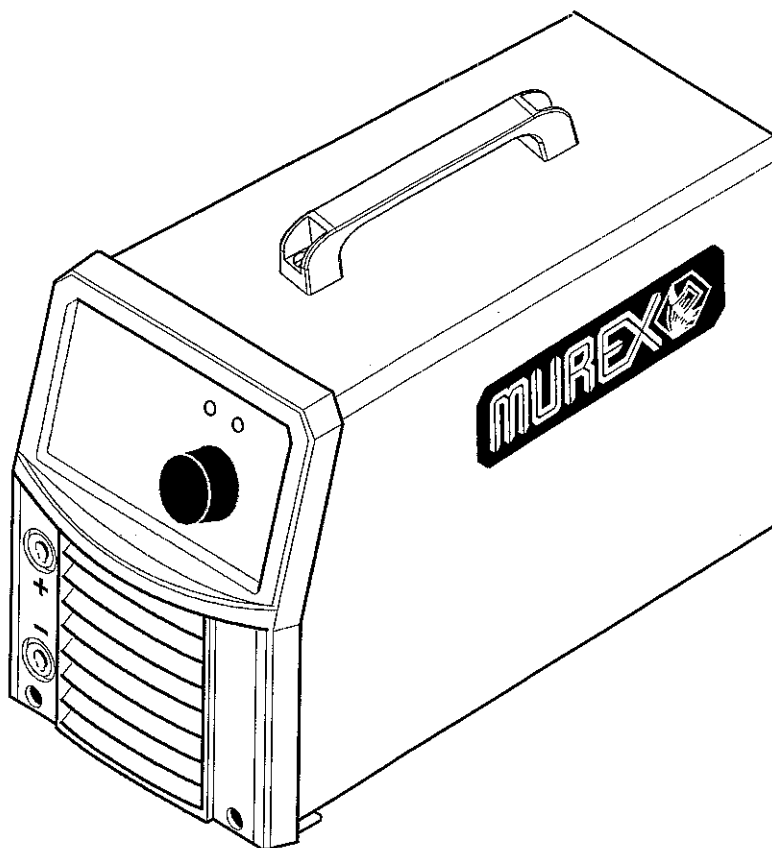




**Spare parts list**



Valid for serial no. 517-xxx-xxxx

**Ordering number**

0459 760 880 Tradesarc 150-1

0459 760 882 Tradesarc 180-1

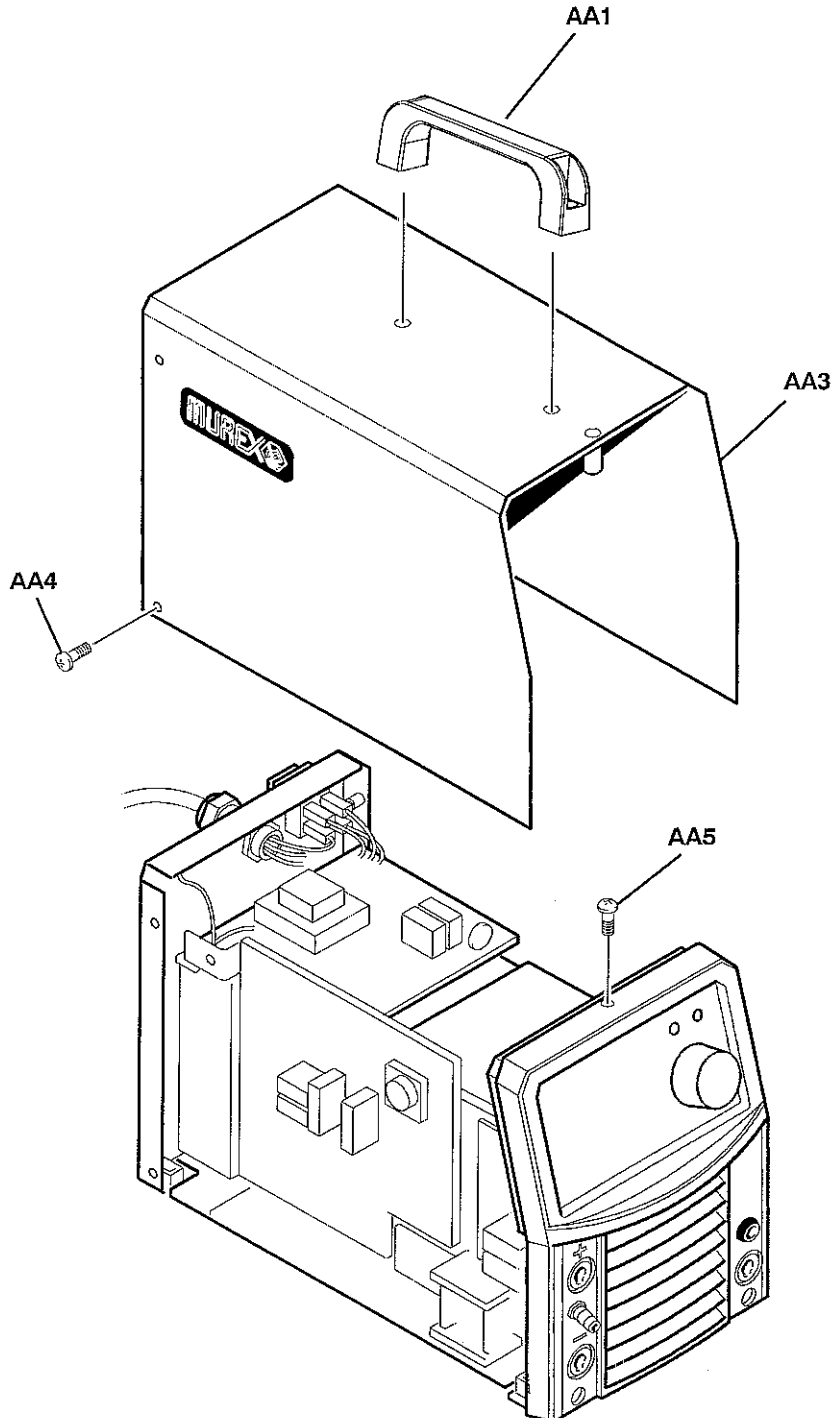
Spare parts are to be ordered through the nearest MUREX agency. Kindly indicate type of unit, serial number, denominations and ordering numbers according to the spare parts list

Maintenance and repair work should be performed by an experienced person, and electrical work only by a trained electrician. Use only recommended spare parts.

**Tradesarc 150-1, Tradesarc 180-1**

C = component designation in the circuit diagram

Item	Qty	Ordering no.	Denomination	Notes	C
AA1	1	0459 654 001	Handle		
	2		Screw	M8x50	
AA3	1	0459 173 002	Cover		
AA4	4		Screw	M5x12	
AA5	1		Screw	M5x16 Included in item AB51, see page 16	



AH 0627

**Tradesarc 150-1, Tradesarc 180-1**

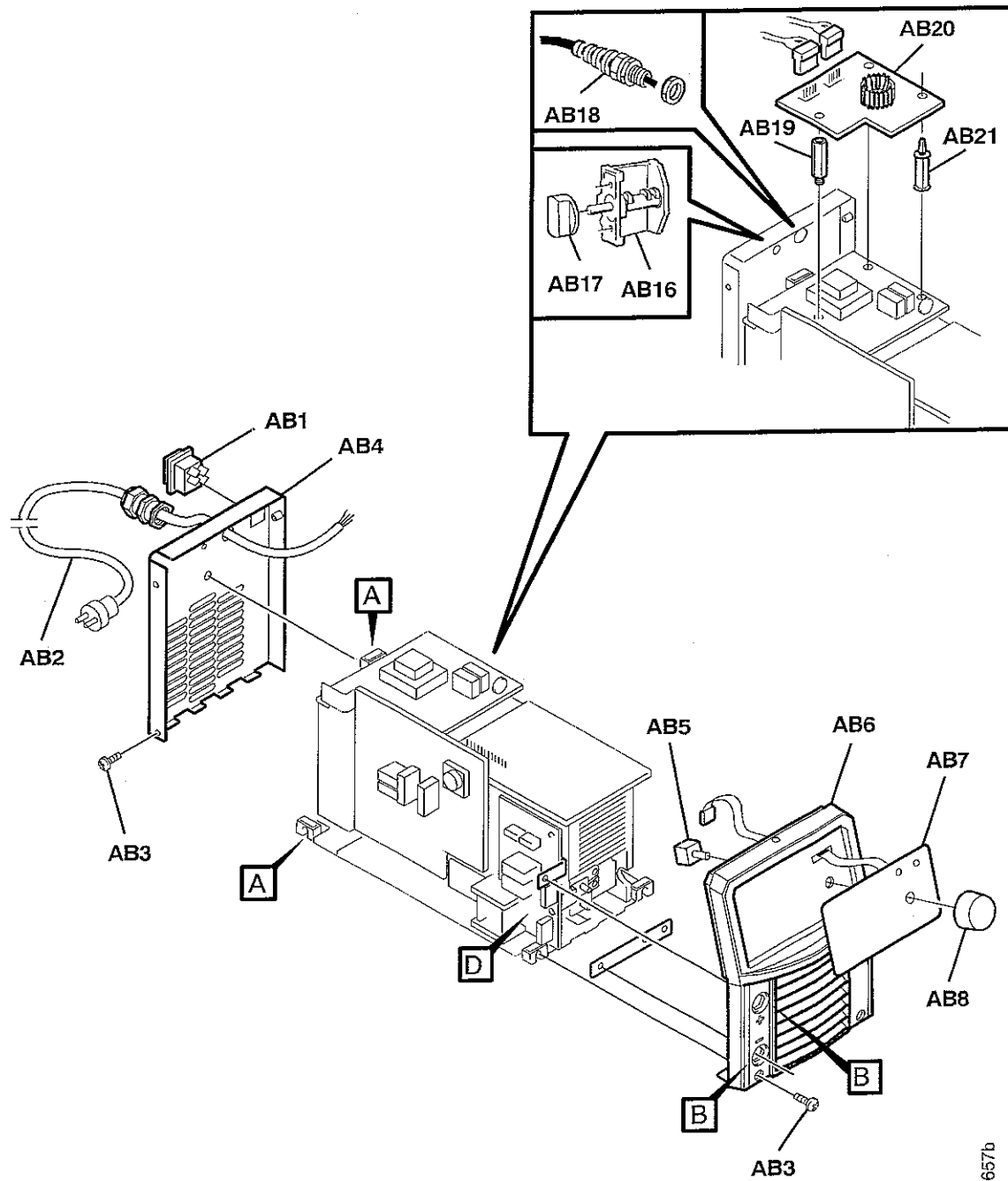
**C = component designation in the circuit diagram**

Item	Qty 150	Qty 180	Ordering no.	Denomination	Notes	C
AB1	1		0193 317 001	Switch	Included in item AB50	2QF1
AB2	1			Cord set	Included in item AB50	
AB3				Screw	Included in item AB51	
AB4	1		0459 174 001	Rear panel		
		1	0459 430 001	Rear panel		
AB5	1	1	0193 995 502	Potentiometer	3 pole socket 20XS6 and wires included Included in item AB51	20RP1
AB6	1	1		Front panel	Included in item AB51	
AB7	1	1		Control panel	Included in item AB51	1D1 1D2 1XS1
AB8	1	1	0193 603 104	Knob	Included in item AB51	
AB9	5	5	0366 588 001	Nut		
AB11	2	2	0366 306 883	Connector OKC 25	Included in item AB51	29XS1 29XS2
AB12	2	2		Screw	M5x12 Torx. Included in item AB51	
AB14	1	1	0459 194 003	Busbar positive		
AB15	1	1	0459 194 002	Busbar, negative		
AB16		1	0366 295 003	Switch	Included in item AB52	2QF1
AB17		1	0366 296 003	Knob	Included in item AB52	
AB18		1		Cord set	Included in item AB52	
AB19		1		Spacer	included in item AC1	
AB20		1	0487 023 880	EMC board	Suppression board	2AP2
AB21		1	0192 790 111	Spacer		

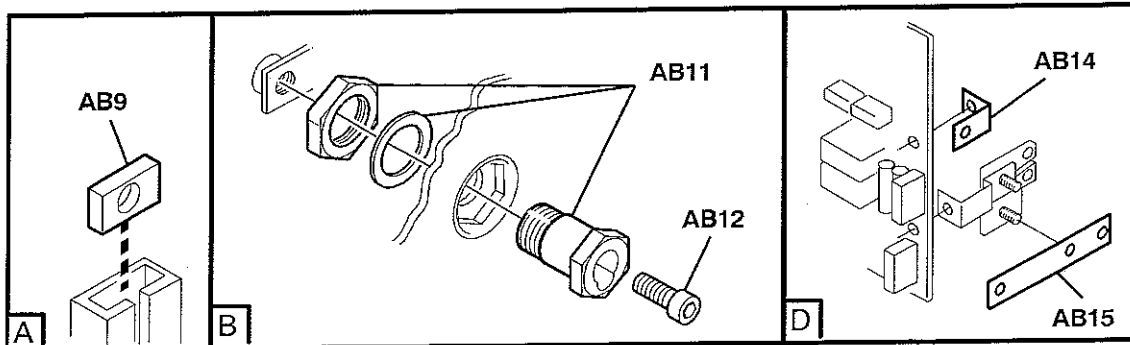
**SPARE PARTS SETS**

Item	Qty 150	Qty 180	Ordering no.	Denomination	Notes
AB50	1		0459 183 880	Mains module	Includes items: AB1 switch, AB2 mains cable with plug, cable clamp and two ferrite rings 2L1.
AB51	1		0459 386 885	Front complete MMA	Includes items: AA5, AB3, AB5, AB6 AB7, AB8, AB11, AB12
		1	0459 386 887	Front complete, MMA	Includes items: AA5, AB3, AB5 AB6, AB7 AB8, AB11, AB12
AB52		1	0459 183 881	Mains module	Includes items: AB16 switch, AB17 knob, AB18 mains cable cable clamp and one ferrite ring 2L1

Tradesarc 150-1, Tradesarc 180-1



AH 0657b



**Tradesarc 150-1, Tradesarc 180-1**

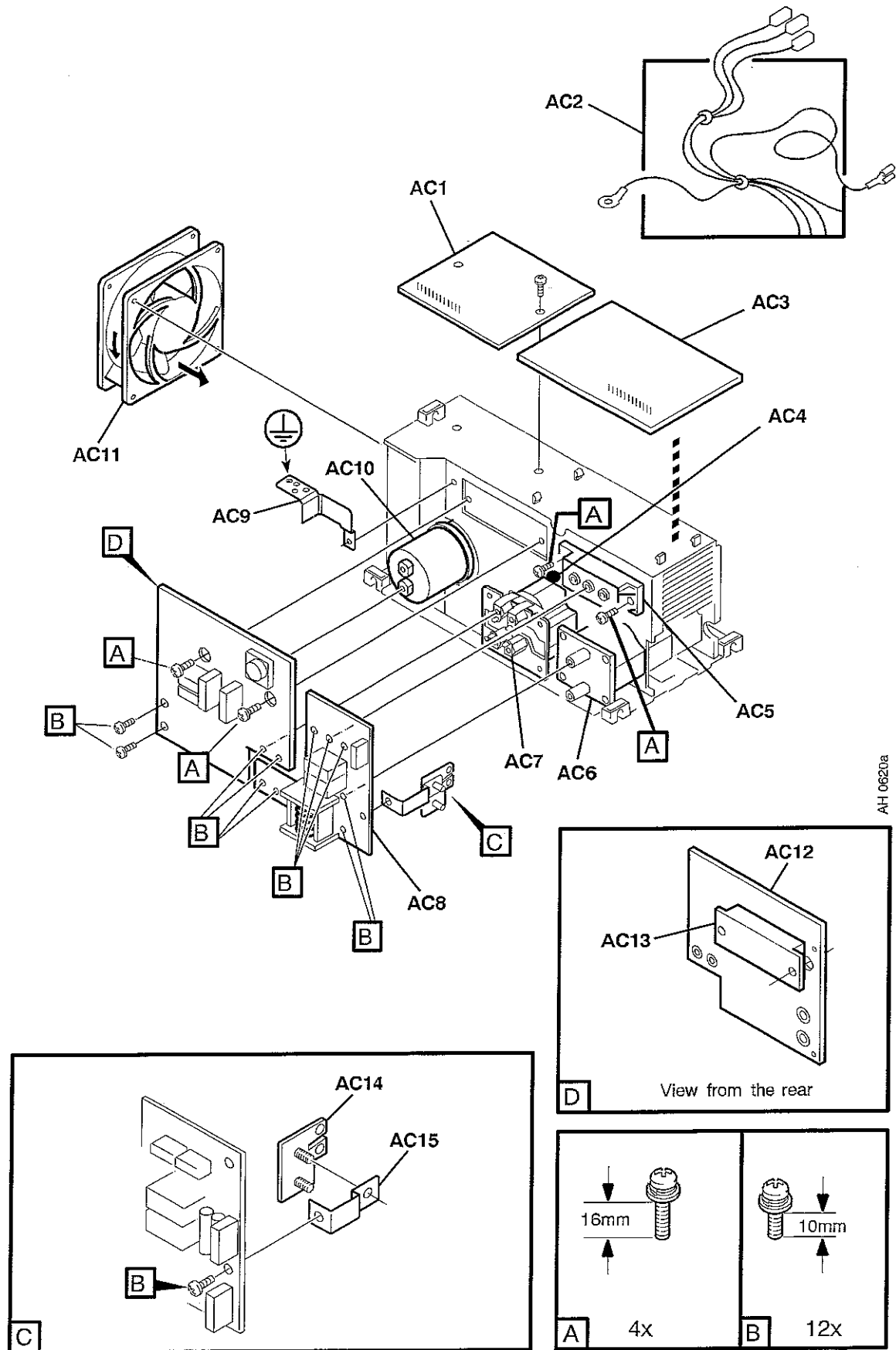
**C = component designation in the circuit diagram**

Item	Qty 150	Qty 200	Ordering no.	Denomination	Notes	C
AC1	1		0487 045 880	Power supply board		2AP1
		1	0487 045 882	Power supply board		2AP1
AC2	1		0459 280 880	Cable set	Including wires 1501 1502 and their sockets	15XS1 15XS2, 15XS7, 15XS8
		1	0459 280 888	Cable set	Including wires 1501, 1502 1505, 1506 and their sockets	15XS1, 15XS2 15XS7, 15XS8
		1	0459 280 889	Cable set	Wires 201, 202 205, 206 and their sockets	2XS1
	1	1	0193 700 702	Cable set		20XS3, 20XS4
	1	1	0459 280 881	Cable set		20XS1 20XS2, 20XS5
AC3	1		0487 005 880	Control board		20AP1
		1	0487 005 890	Control board		20AP1
AC4	1		0468 940 004	Thermal switch	Socket connector 15XS5 included	15ST2
		1	0468 940 005	Thermal switch	Socket connector 15XS5 included	15ST2
AC5	1	1		Diode module	See item AC50	15D1
AC6	1	1	0459 177 001	Inductor		15L1
AC7	1	1	0459 355 880	Transformer	Includes: main transformer, socket 15XS4, socket 15XS6 thermal switch 15ST1	15TM1
AC8			0487 060 880	Secondary board		15AP2
AC9	1	1	0459 273 001	Earth bracket		
AC10	1		0194 158 001	Capacitor	1000 uF 400 V DC	15C1
		1	0194 158 002	Capacitor	2000 uF 400 V DC	15C1
AC11	1		0467 801 002	Fan	24 V DC; With cables and socket 15XS3	15EV1
AC11		1	0458 065 002	Fan	24 V DC; With cables and socket 15XS3	15EV1
AC12	1	1		Circuit board	See item AC51	15AP1
AC13	1	1		Semiconductor module	See item AC51	
AC14	1	1	0468 030 880	Shunt		15RS1
AC15	1	1	0459 194 001	Busbar		

**SPARE PARTS SETS**

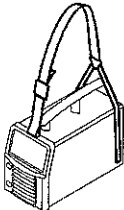
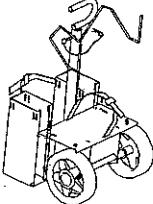
Item	Qty 150	Qty 200	Ordering no.	Denomination	Notes
AC50	1		0459 385 880	Diode module kit	Includes: item AC5 diode module, screws (type A and B) thermal compound and roller
		1	0459 385 881	Diode module kit	Includes: item AC5 diode module, screws (type A and B), thermal compound and roller
AC51	1		0459 384 880	Power board kit	Includes: item AC12 power board, item AC13 semiconductor module, screws (type A and B), thermal compound and roller
		1	0459 384 881	Power board kit	Includes: item AC12 power board, item AC13 semiconductor module, screws (type A and B) thermal compound and roller
-			0458 910 002	Roller handle	For the roller in the spare parts sets above
-			0192 058 101	Thermal compound	

Tradesarc 150-1, Tradesarc 180-1



## Tradesarc 150-1, Tradesarc 180-1

### Accessories

	<b>MMA welding and return cable kit</b> ("crocodile" type holder) . . . . . 0349 501 078  <i>Suitable for Tradesarc 150-1</i>
	<b>MMA welding and return cable kit</b> ("screwe" type holder) . . . . . 0349 501 079  <i>Suitable for Tradesarc 150-1</i>
	<b>MMA welding and return cable kit</b> ("screwe" type holder) . . . . . 0700 006 881  <i>Suitable for Tradesarc 200-1</i>
	<b>Shoulder strap</b> . . . . . 0459 368 880
	<b>Trolley for small gas bottle</b> . . . . . 0459 366 880









Murex Welding Products Ltd  
Hanover House  
Queensgate  
Britannia Road  
Waltham Cross  
Hertfordshire EN8 7TF  
England

