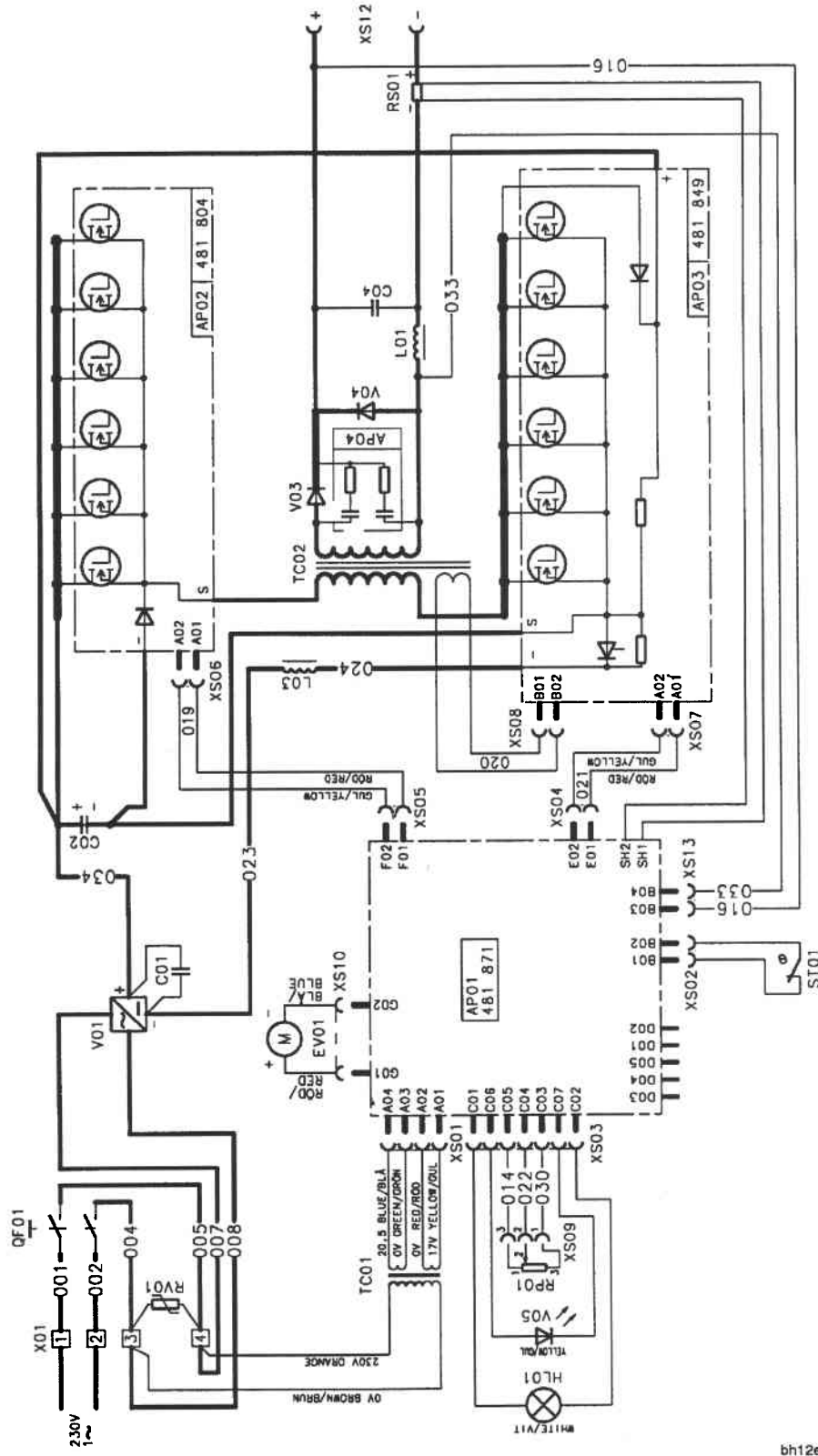


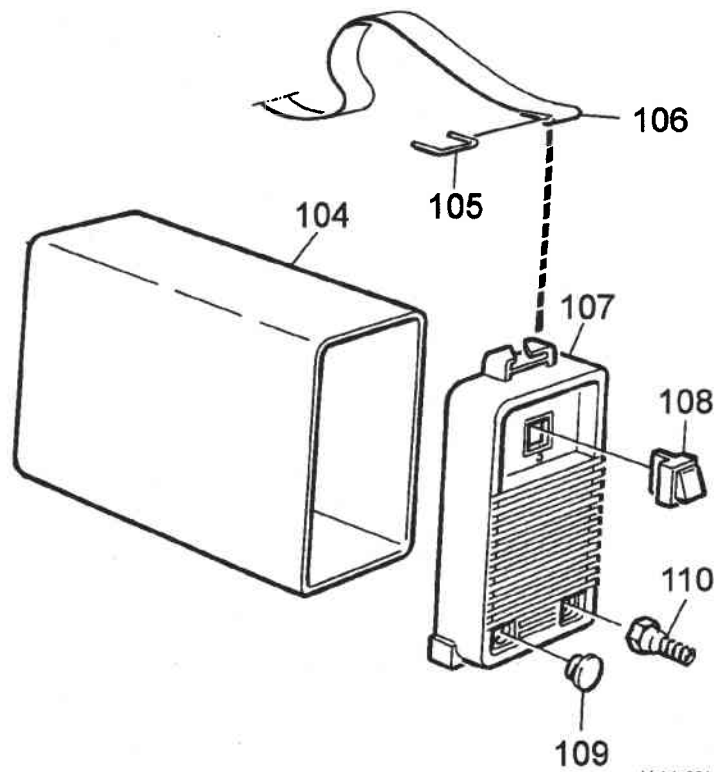
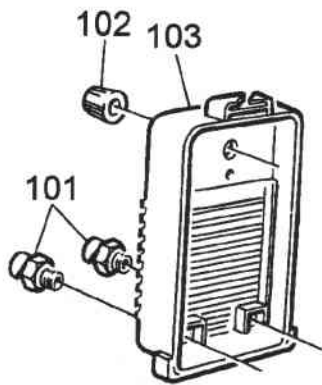
CIRCUIT DIAGRAM Tradesarc 131i



bh12e001

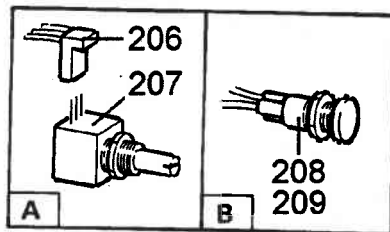
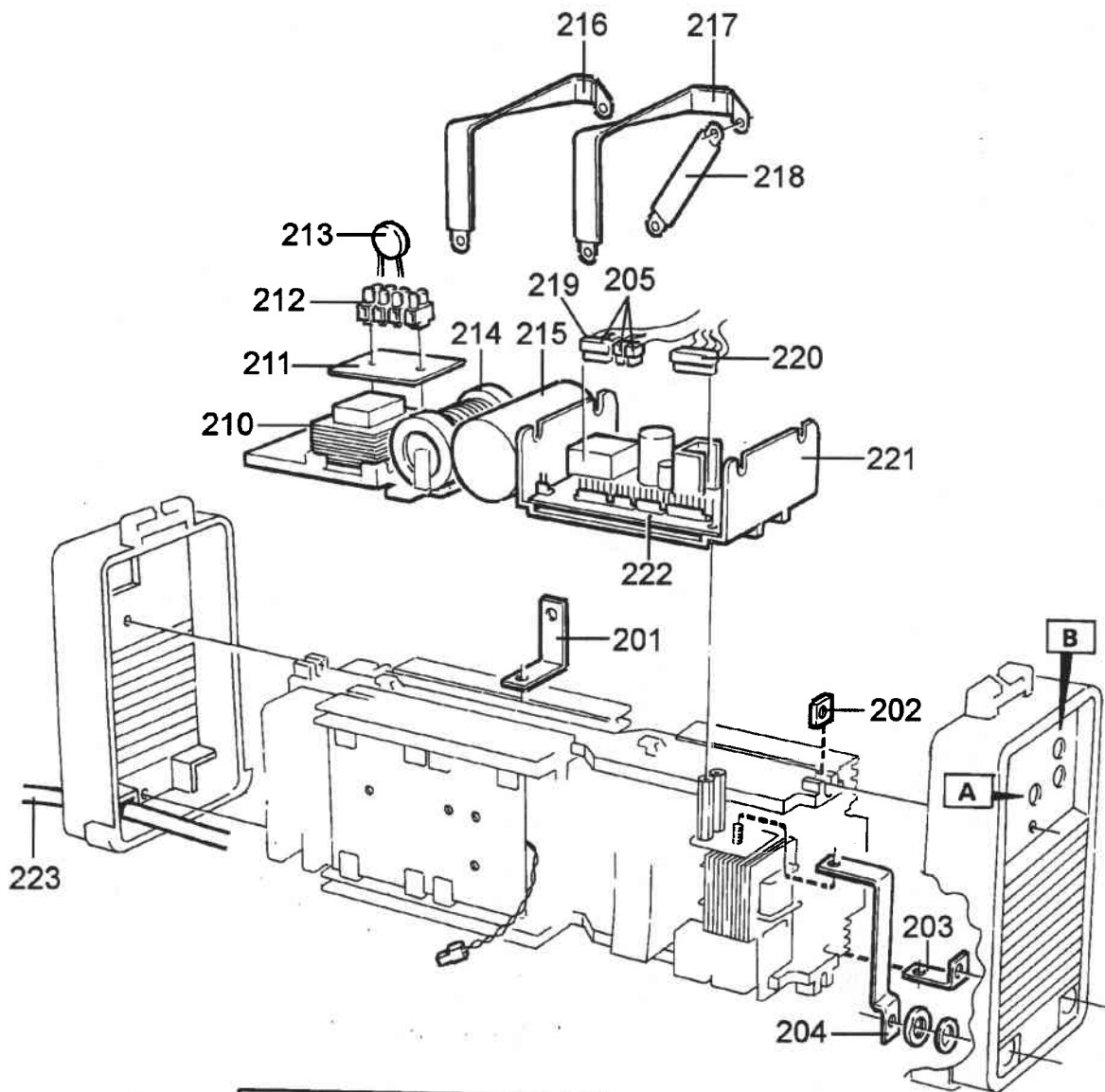
SPARE PARTS LIST

Pos	Qty	Part No.	Description
101	2	366 306-880	OKC 25
102	1	321 475-881	Knob
103	1	455 997-002	Front panel
104	1	365 544-004	Cover
105	2	365 750-001	Strap clips
106	1	468 208-001	Strap
107	1	365 545-002	Rear panel
108	1	193 317-001	Switch
109	1	468 536-003	Tube plug
110	1	193 308-103	Strain relief



bh14s001

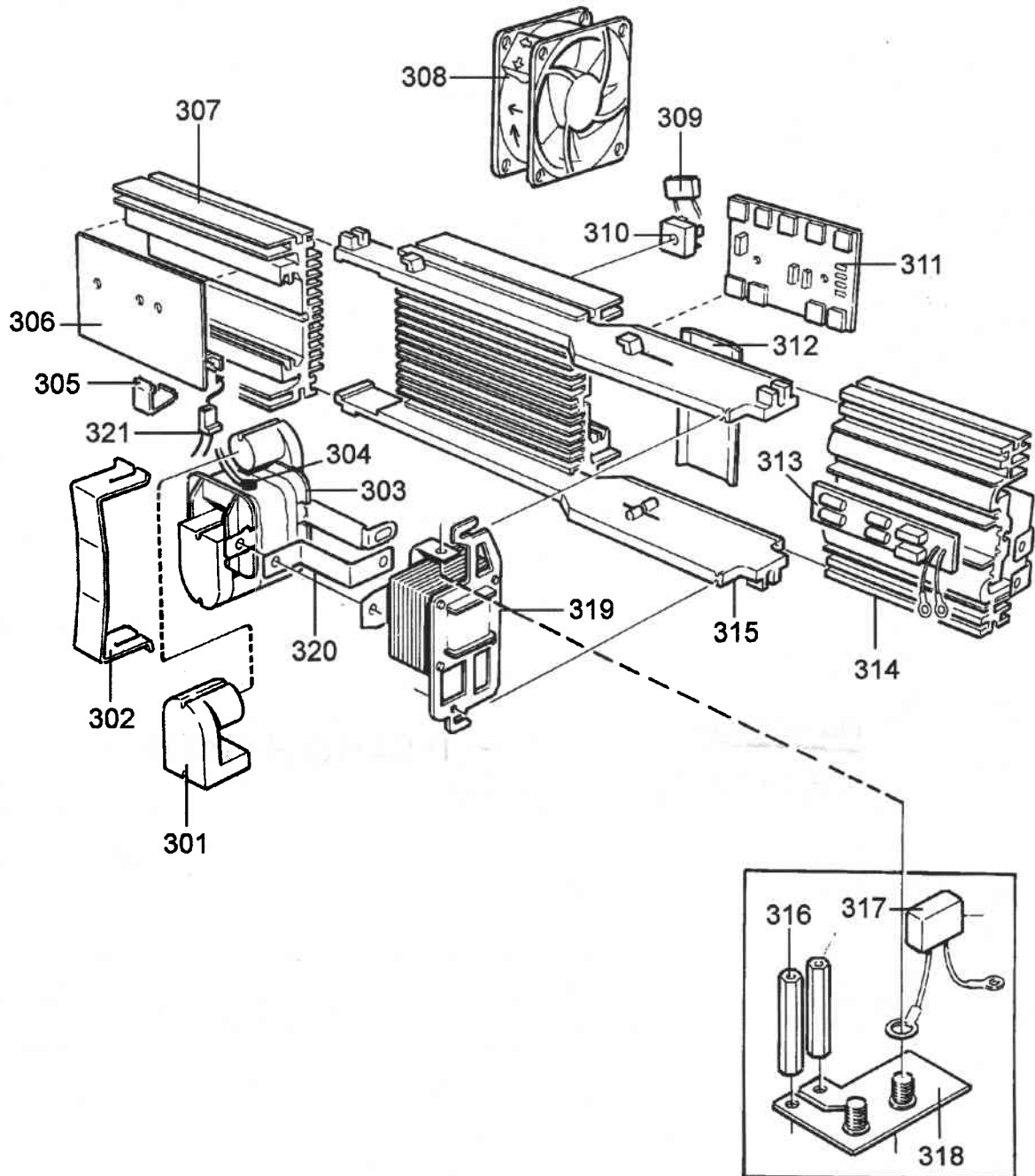
Pos	Qty	Part No.	Description
201	1	See pos. 500	Current bar
202	4	366 588-001	Nut
203	1	See pos. 501	Current bar
204	1	See pos. 501	Current bar
205	5	193 260-001	Connector 2-pol
	5	193 260-180	Cover 2-pol
206	1	193 260-062	Connector 3-pol
	1	193 260-092	Cover 3-pol
207	1	191 870-616	Potentiometer
208	1	193 759-001	Lamp, white
209	1	193 759-002	Diod, yellow
210	1	468 028-001	Control transformer
211	1	468 882-001	Sign
212	1	193 045-011	Connection block
213	1	192 149-126	Varistor
214	1	467 809-880	Inductor primary
	2	0409 536-11	Clamp heat resistance
215	1	192 903-500	Capacitor
216	1	See pos. 500	Current bar
217	1	See pos. 500	Current bar
218	1	See pos. 500	Current bar
219	1	193 260-152	Connector 4-pol
	1	193 260-182	Cover 4-pol
220	1	193 260-006	Connector 4-pol
	1	193 260-185	Cover 4-pol
221	1	467 802-001	Guide
222	1	481 870-880	Main circuit board
223	1	366 514-013	Mains cable



bh14s003



Pos	Qty	Part No.	Description
301	4	193 312-101	Ferrite core
		365 652-002	Tape
		191 124-021	Glue
302	1	467 799-001	Clamp
303	1	467 792-880	Transformer coil, pos 304 included
304	1	320 655-009	Therminal cutout
305	13	See pos 502	Spring
306	1	See pos 502	Circuit board minus
307	2	467 793-180	Cooling unit
308	1	469 479-001	Fan
309	1	192 883-150	Capacitor
310	1	193 316-208	Rectifier bridge
311	1	See pos 502	Circuit board plus
312	1	467 800-001	Insulation
313	1	481 840-882	Circuit board
314	1	468 015-880	Rectifier secondary
315	2	467 797-001	Guide
316	2	2129 131-08	Distance nut
317	1	192 886-150	Capacitor - 192903506
318	1	468 961-880	Shunt - 455757880
319	1	468 016-880	Inductor secondary
320	1	See pos 501	Current bar
321	1	193 669-002	Connector
	2	193 590-302	Cable lug
		466 602-001	Cable ptfе 1 x 0.93 mm ² 0.6 metre



bh14s002



SPARE PARTS SETS

Pos	Part No.	Description
500	468 881-880	Current bars primary, pos 201, 216, 217 and 218
501	468 881-881	Current bars secondary, pos 203, 204 and 320
502	468 881-886	Circuit boards and clamps, pos 305, 306 and 311
503	192 058-106	Contact oil for assembling pos 502

