



Transmig Synergic 500

MULTI PROCESS

Parts List

Issue 2



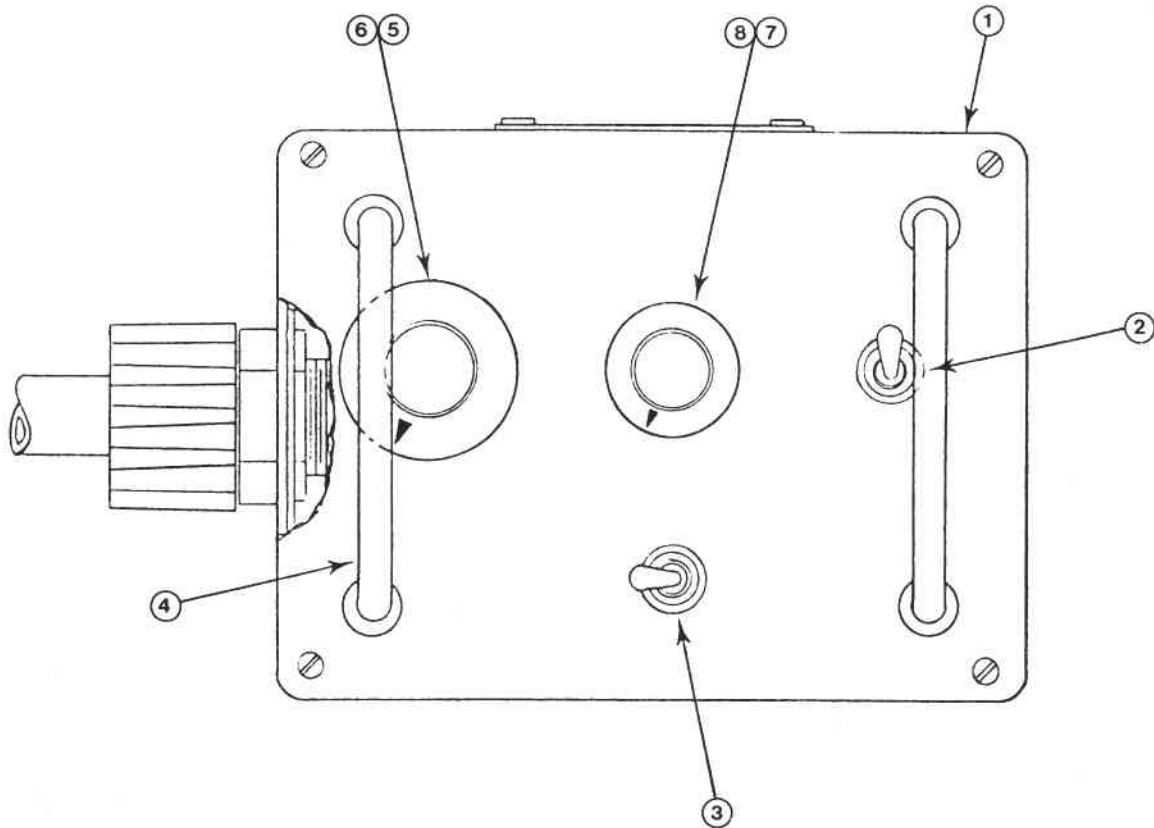


Fig. A - Remote Control Unit

Remote Control Unit Complete - Pt.No. 1413313

Item	Part No.	Description
1	1413313	Remote pendant
	Note 1	Box, remote control
2	1407014	Switch, process, SPDT (centre off)
3	1411867	Switch, schedule SPDT
4	1411897	Handle with hardware (Pack of 2)
5	1407182	Potentiometer, 10K
6	1412201	Knob
7	1407182	Potentiometer, 10K
8	1403189	Knob

Note 1: Special Order Only

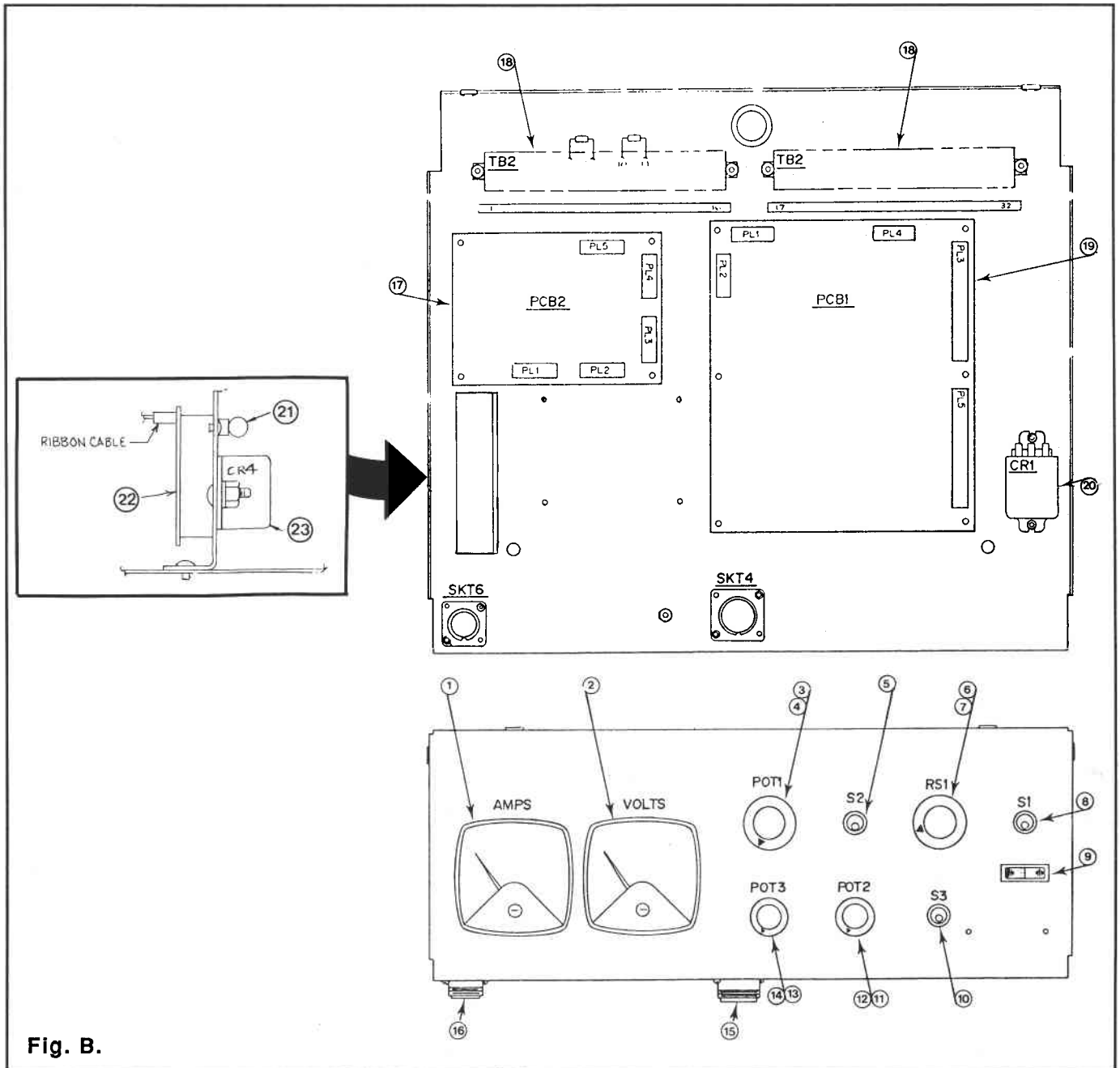


Fig. B.

Item	Part No.	Ref.	Description	Item	Part No.	Ref.	Description
1	1411860	A	Ammeter 500A	14	1403189	-	Knob
2	1411861	V	Voltmeter 50V	15	1411864	SKT 4	Socket (13 pin)
3	1407182	Pot.1	Potentiometer 10K	-	1412198	-	13 pin plug for above
4	1412201	-	Knob	16	1413341	SKT6	Socket (7 pin)
5	1411867	S2	Switch SPDT (Cont. On/Off)	-	1413342	-	7 pin plug for above
6	1413349	RS1	Rotary switch assy.	17	1413345	PCB 2	Interface PCB
7	1412201	-	Knob	18	1412204	TB2	Terminal board (16 way)
8	1411868	S1	Switch 3PST (On/Off)	19	1413344	PCB 1	Main control PCB
9	1413340	W&R	Lamp	20	1413343	CR 1	Relay, 3 PDT, 42VAC
10	1407014	S3	Switch SPDT centre off (Process)	21	1413346	C3	Capacitor assy.
11	1407182	Pot. 2	Potentiometer 10K	22	1413347	-	Program PCB (Preset)
12	1403189	-	Knob	-	1413348	-	Program PCB (Uncal)
13	1410547	Pot. 3	Potentiometer 1K	23	1413350	CR 4	Relay 3PDT, 120VAC

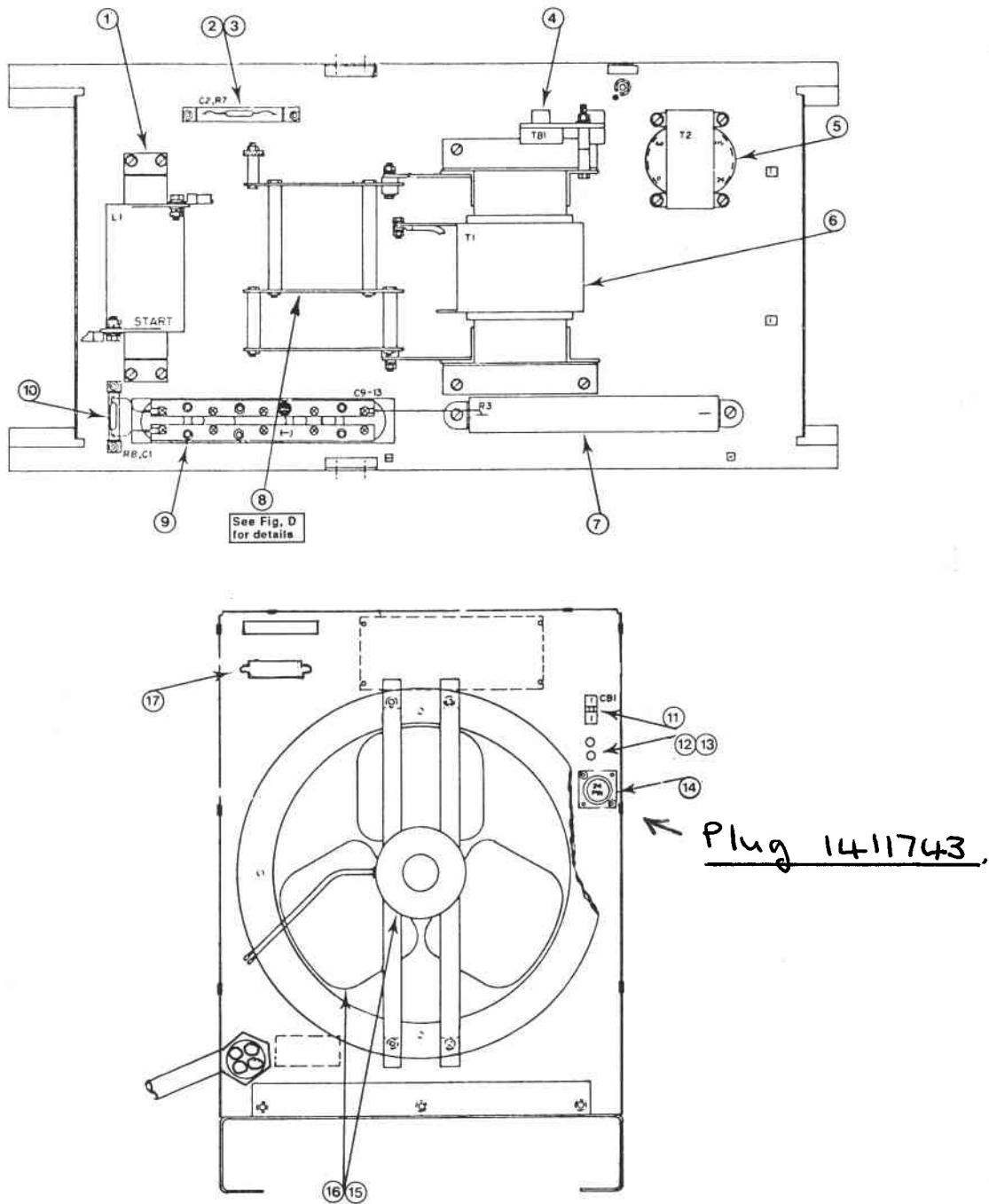


Fig. C.

Item	Part No.	Ref.	Description	Item	Part No.	Ref	Description
1	1413352	L1	Choke	9	1411884	C9-13	Capacitor 7000 μ F, 100V (7 req.)
2	1411893	R7	Resistor 100 Ω , 50W	10	1413355	C1	Capacitor 0.1 μ 600V
3	1413355	C2	Capacitor 0.1 μ 600V	11	1407758	CB1	Circuit breaker 10A
4	1411890	TB1	Voltage selection panel	12	1411873	-	Fuse holder
-	1411891	-	Voltage change link	13	1412208	FU1,2	Fuse 1A
5	1411889	T2	Control transformer	14	1411895	SKT 6	Socket 8 pin (Wirefeeder)
6	1413351	T1	Main transformer	15	1407032	Fan	Fan motor
7	1413354	R3	Resistor 5 Ω 550W	16	1407031	-	Fan blade
8	-	-	See Fig. D	17	1412200	TB 3	Terminal strip (8 way)

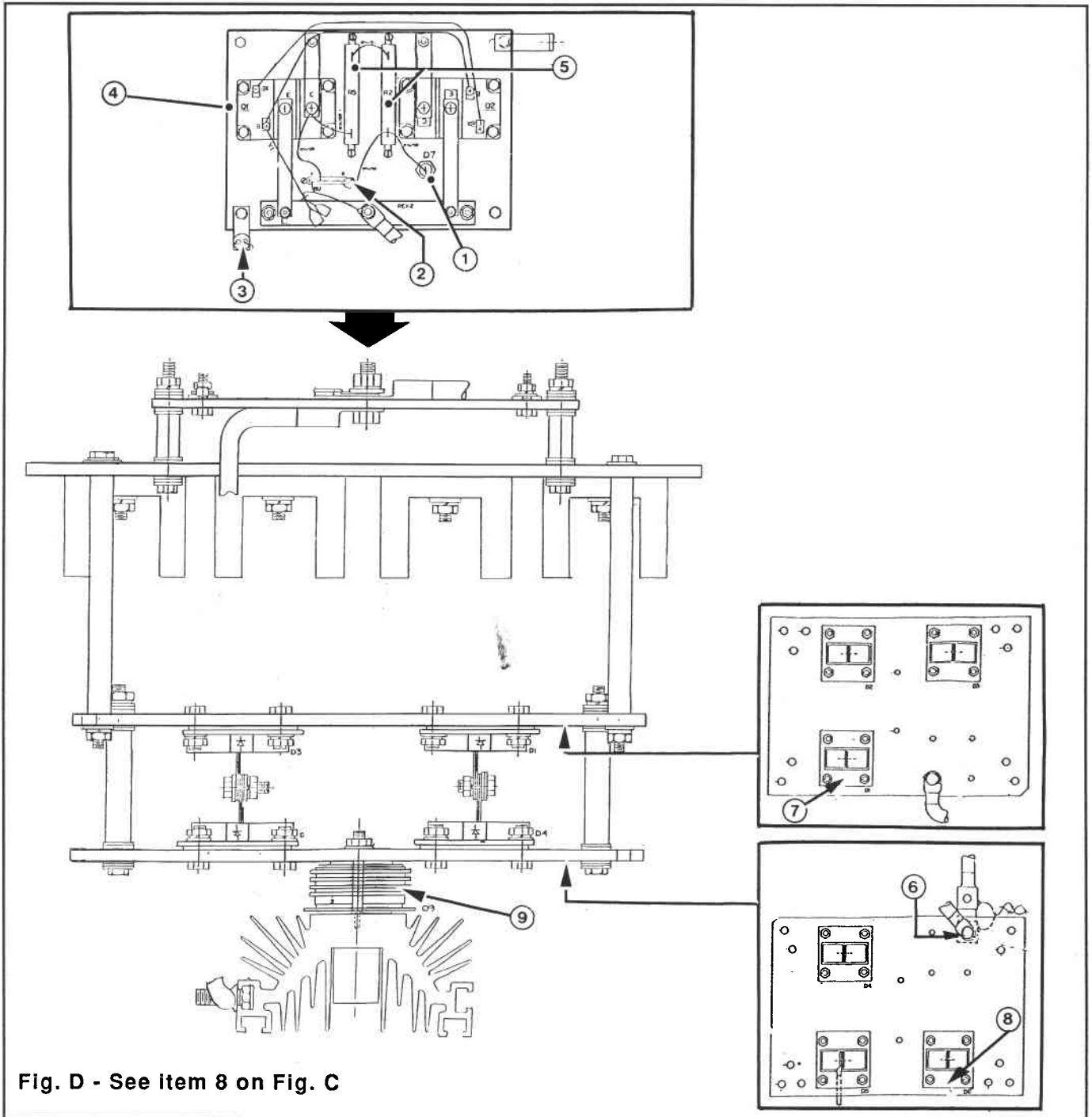


Fig. D - See item 8 on Fig. C

Item	Part No.	Ref.	Description
1	1413360	D7	Diode 70A, 200V
2	1413363	R1,C4, C7,C8	Snubber assy.
3	1413362	TS	Thermal switch
4	1413358	Q1,2	Transistor 500A, 600V
5	1413361	R2, R5	Resistor 5Ω, 50W
6	1413364	SH1	Shunt 500A, 50mV
7	1413356	D1-3	Diode 250A straight
8	1413357	D4-6	Diode 250A reverse
9	1413359	D9	Diode fast recovery

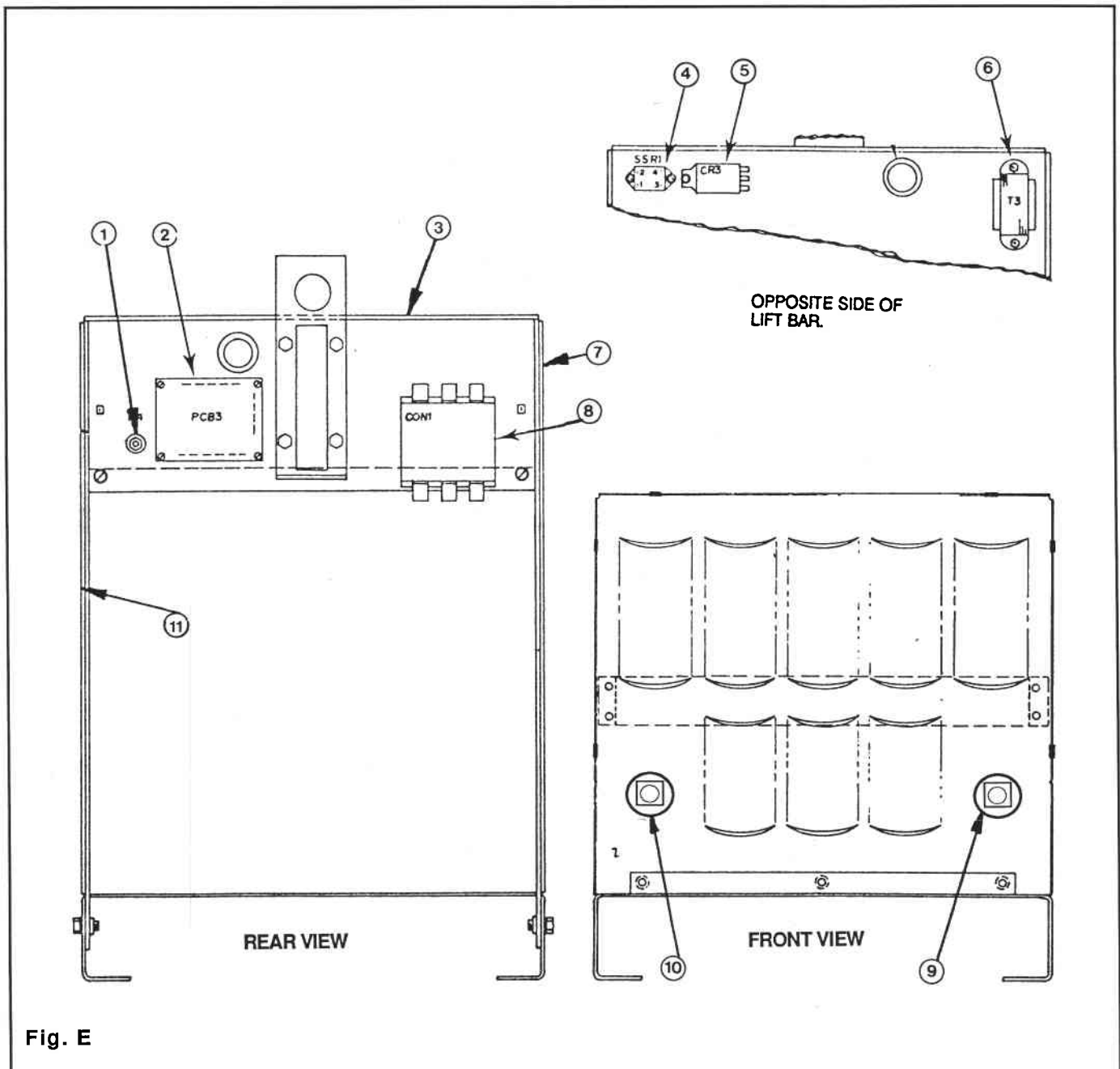


Fig. E

Item	Part No.	Ref	Description
1	1413365	R4	Resistor 25Ω, 50W
2	1413366	PCB 3	Driver PCB
3	1413371	-	Top panel
4	1413368	SSR1	Solid state relay
5	1413369	CR3	Relay DPDT 24VAC
6	1413370	T3	Transformer control
7	1413373	-	L.H.S. Panel
8	1407028	CON 1	Contactor
9	1411881	C5,6	Capacitor 0.047μF, 1600V (2)
10	017242	SK1,2	Dinse sockets (2)
-	1380441	-	Plug for item 10
11	1413372	-	R.H.S. Panel