

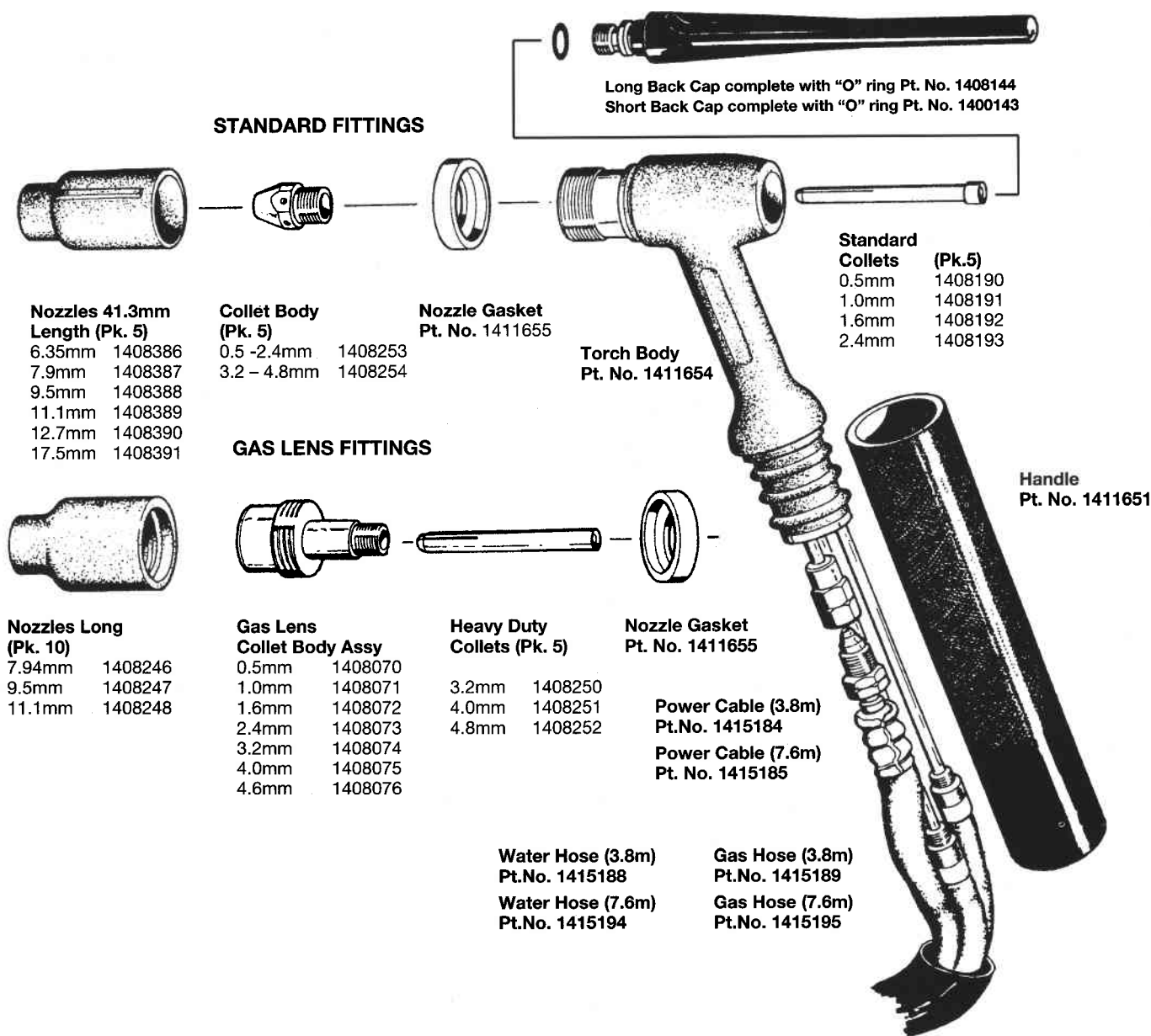
TW403 (Central Adaptor)

Water-cooled Torch Packages

Pt.No. 1415175 (3.8m) & 1415176 (7.6m)

Accessory Kit Content -
 Pt No. 1411614
 Short back cap
 Collect heavy duty 3.2mm
 Collet heavy duty 4.0mm
 Nose collet body, heavy duty
 3.2mm to 4.8mm
 Ceramic nozzle 7.9mm
 Ceramic nozzle 12.7mm

SPECIFICATION
 400 Amps
 Water-cooled
 Electrodes
 0.5-2.4mm (Standard collet)
 3.2-4.8mm (Heavy Duty collet)



Murex Welding Products Limited
 Hertford Road, Waltham Cross,
 Herts. EN8 7RP. England
 Telephone: Lea Valley (01992) 710000
 Telex: 25743

Pt. No. 100509
Rev 5