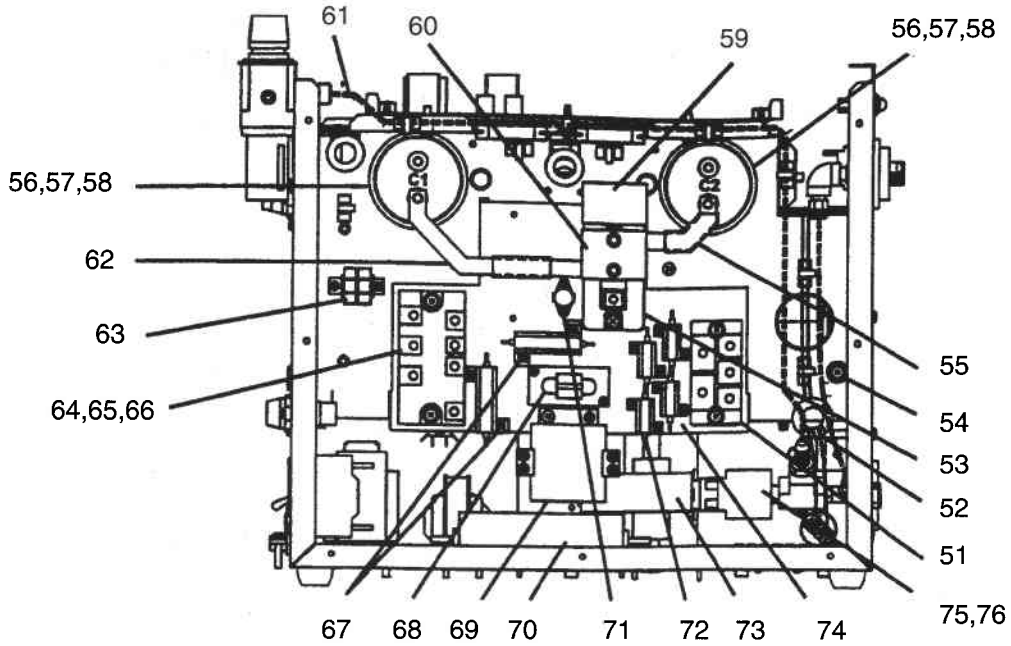


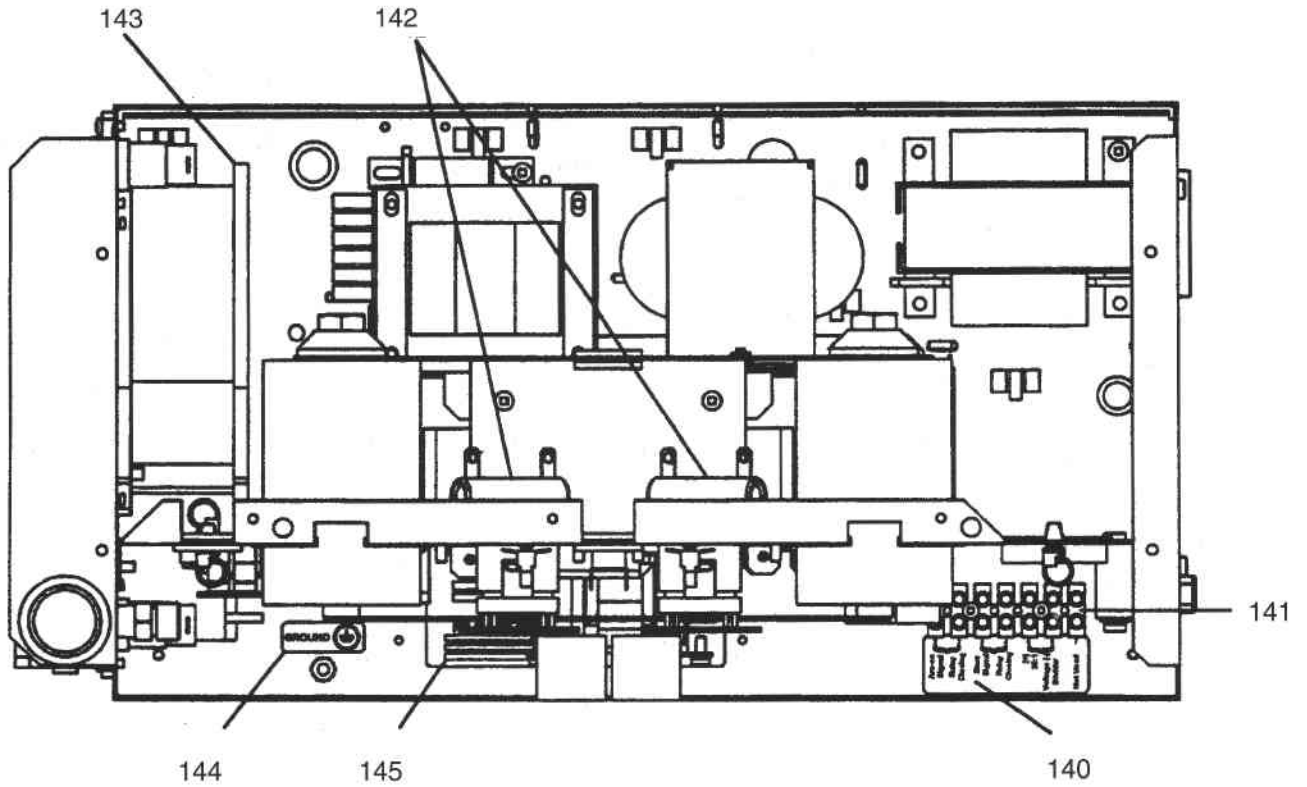
**Power Source, Front View**

ITEM NO.	QTY. REQ.	PART NO.	DESCRIPTION	CIRCUIT SYMBOL
1	1	13730611	KNOB	
2	1	2062018	POT. 10K 2W	R2
3	1	673213	SWITCH TOGGLE SPST 2 POS 15 A 125 V	S2
4	2	951474	SWITCH SEAL BLACK	
5	1	634518	SWITCH TOGGLE DPDT 2 POS 15 A 125 V	S1
6	1	951754	LAMP LED YEL 12 V	PL2
7	1	951526	LAMP NEON WHITE	PL1
9	1	21711	GAUGE 1.50 160 PSI WHITE	
11	1	680560	WORK CABLE 25 FT. (NOT SHOWN)	
12	4	182WI2	FOOT RUBBER	



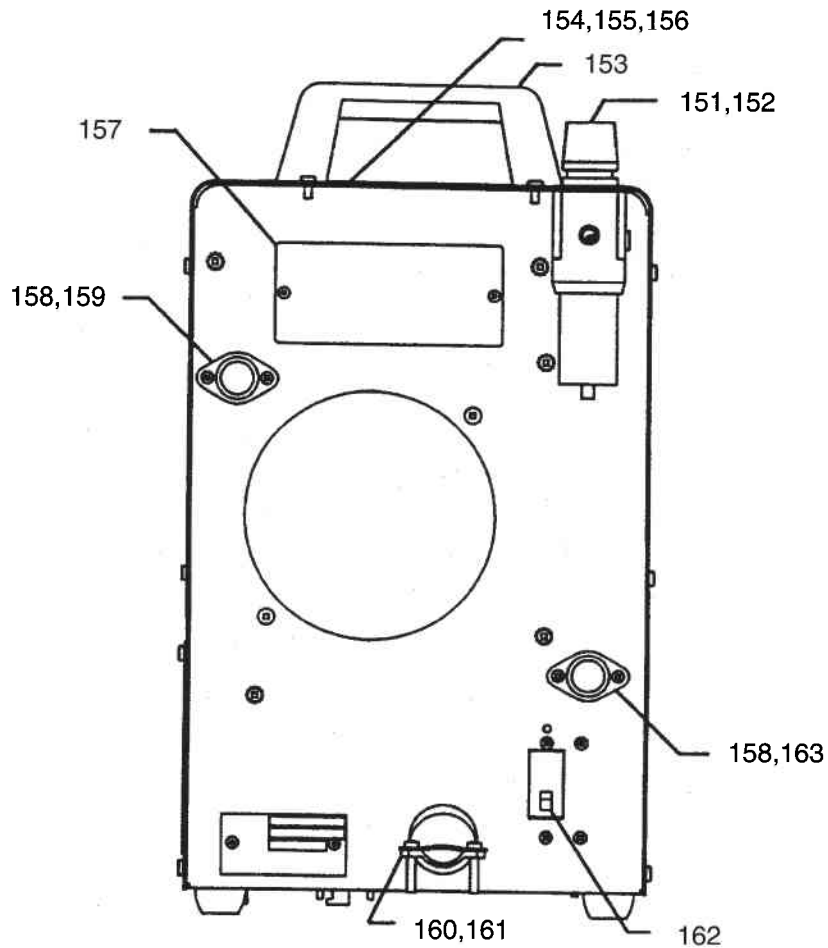
**Power Source, Left Side View (400/400CE)**

ITEM NO.	QTY. REQ.	PART NO.	DESCRIPTION	CIRCUIT SYMBOL
51	1	952150	BRIDGE 60 ADC 100NS 600 V (PAD - 951192)	D1
52	1	952002	CORE SATURABLE	L3
53	1	951800	MODULE DUAL IGBT 150 A, 1200 V (PAD - 9511 91)	Q1
55	1	36732	BUSBAR POS	
56	2	952237	CAPACITOR 1800 $\mu$ F 450 VDC	C1, 2
58	2	951028	CAPACITOR 1 $\mu$ F 630 VDC	C3,15
59	1	38099	PCB ASSY IGBT DRIVER BOARD	PCB2
60	1	951964	CAPACITOR 2 $\mu$ F 800 VDC	C16
64	1	952235	MODULE INPUT BRIDGE/SCR (PAD - 952280)	IBR
65	1	2062282	CAPACITOR .22 $\mu$ F 1KV	C19
66	3	950591	METAL OXIDE VARISTOR 510 V	MOV1, 2,3
67	2	17750010	RESISTOR 50W 10 OHM (PAD - 951194)	R7,10
68	1	32958	CURRENT TRANSFORMER ASSY	T4
69	1	952255	CAPACITOR 40 $\mu$ F 400 VDC	C4
70	1	952253	FILTER EMI	FN1
71	1	950711	THERMAL SWITCH 194°F	TS1
72	4	17721020	RESISTOR 25W 20 OHMS (PAD - 951193)	R3, 4, 5, 6
73	1	951202	FLOWSWITCH .25 GPM	FS
74	1	952558	HEATSINK	
75	1	950249	SOL, VALVE 1/4 NPT 165 PSI 24 VAC	SOL1
76	1	951471	DIODE ZENER 60 V 75m A	ZDL



**Power Source, Top View with PCB1 and Shelf Removed**

ITEM NO.	QTY. REQ.	PART NO.	DESCRIPTION	CIRCUIT SYMBOL
142	2	17240310	RESISTOR 10 K 25 W	R2, 15
143	1	951182	FAN AC AXIAL	M1
-	1	38109	MAIN PCB	PCB1



### Power Source, Rear View

ITEM NO.	QTY. REQ.	PART NO.	DESCRIPTION	CIRCUIT SYMBOL
151	1	21710	FILTER REGULATOR	
152	1	1OZ30	ADAPTOR BIA-WM X 1/4 NPTM	
153	2	951575	HANDLE	
158	2	952136	FUSE HOLDER	
159	1	952137	FUSE 15 A FASTACTING	F2
160	1	97W63	STRAIN RELIEF	
162	1	951181	CIRCUIT BREAKER 3P 30A 480VAC	CB1
163	1	952559	FUSE 3A FAST ACTING	F1