

Fig. 13 Front view, Sabre-arc 35i

ITEM NO.	QTY REQ.	PART NO.	DESCRIPTION	CIRCUIT SYMBOL
2	1	2062018	POTENTIOMETER 10K 2W	R1
3	1	13730611	KNOB	
6	1	951575	HANDLE (Screws and Lockwasher included)	
7	1	634518	SWITCH TOGGLE DPDT 2 POS 15A	S1
8	1	951529	LAMP, WHITE	PL2
9	1	951754	LAMP, YELLOW	PL1
11	1	21711	GAUGE PRESSURE	
12	1	673213	SWITCH TOGGLE SPST 2 POS 15A	S2
13	1	23602576	STRAIN RELIEF	
14	2	951474	SWITCH SEAL	
15	4	182W12	FOOT	

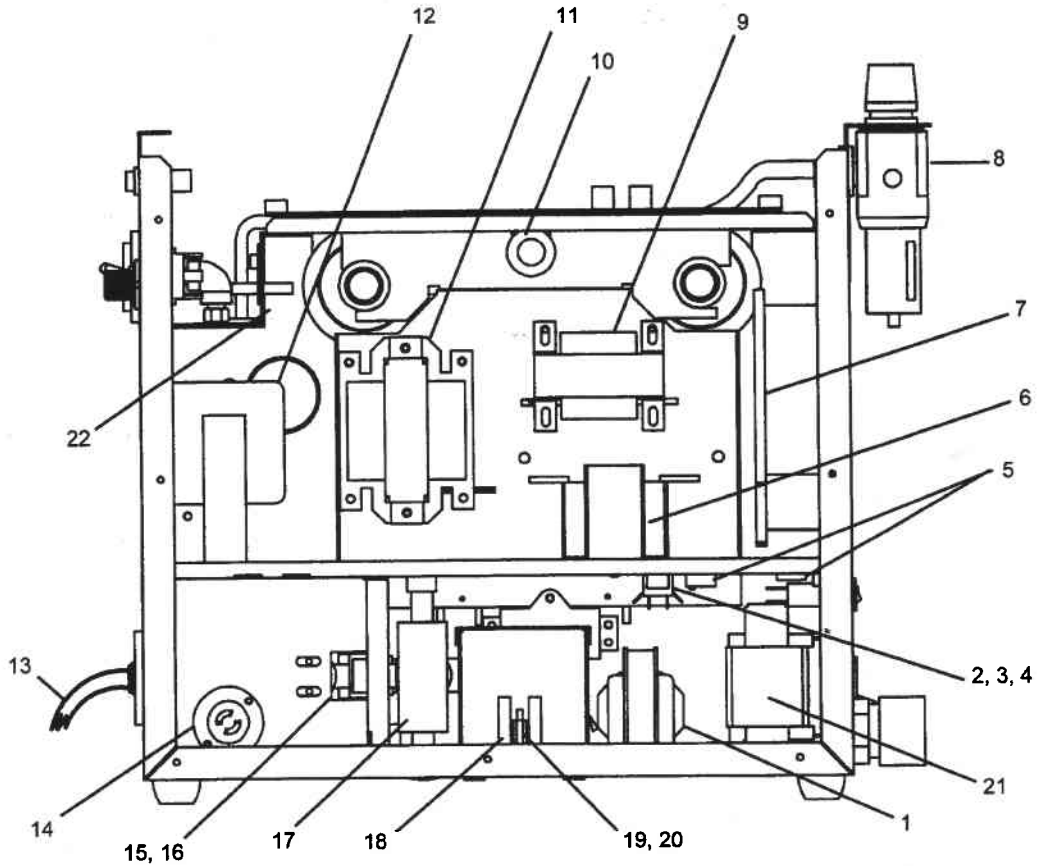


Fig. 14 Right side view, Sabre-arc 35i

ITEM NO.	QTY REQ.	PART NO.	DESCRIPTION	CIRCUIT SYMBOL
1	1	951179	HI VOLTAGE TRANSFORMER	T5
2	1	950487	TERMINAL BLOCK 2 POS	TB1
3	1	950204	CAPACITOR 0.1 μ f 250 VAC	C9
4	2	672348	CAPACITOR 0.1 μ f KB	C11, C12
6	1	35940	CONTROL TRANSFORMER	T2
7	1	951182	FAN AC AXIAL	M1
8	1	21698	AIR LINE FILTER REGULATOR	
9	1	35945	INDUCTOR POWER FACTOR CORRECTION	L2
12	1	32909	INDUCTOR OUTPUT	L1
13	1	680560	WORK CABLE 25FT includes CLAMP 13730862	
14	1	182W64	RECEPTACLE, TWIST LOCK MIDGET	J1
15	1	36333	OUTPUT TERMINAL BOARD	
16	1	58V75	ADAPTOR B/A 1/4 NPTM BULKHEAD	
17	1	32969	REACTOR HI FREQ	T3
18	1	36431	SPARK GAP ASS'Y includes (2) POINT 32931	SG
19	1	951569	STANDOFF	TB2
20	2	951342	CAPACITOR 2500 μ f 15KV	C13, C14
21	1	952212	3% 3-PH LINE REACTOR 8A/PH (400 V)	L2
	1	952226	1.5% 3-PH LINE REACTOR, 12A/PH (220 V/3 PH)	L2
22*	1	951515	CAPACITOR 0.047 μ f, 660 V (CE UNITS ONLY)	C23

* Not shown. See Wiring Diagram, Figure 5 - 4 for location



Left-hand view, Sabre-arc 35i

ITEM NO	QTY REQ.	PART NO.	DESCRIPTION	CIRCUIT SYMBOL
1	5	951313	CAPACITOR 0.01 μ F 1KV	C5,6,7,8,10
2	1	952208	STANDOFF	TB3
3	2	673038	SNAP BUSHING	
4	1	952147	HEATSINK	
5	2	950518	GROMMET 2.12" ID	
6	2	952185	CAPACITOR 1000 μ F 400VDC	C1, C2
7	4	17235150	RESISTOR 50K 12W (230V)	R2
	2	17290210	RESISTOR 10K 20W (400V)	R2, R15
8	2	952148	IGBT 50 A 600 V (PAD 951190) (230V)	Q1, Q2
	1	952175	DUAL MODULE IGBT 75 A 1200 V (PAD9 51190) (400V)	Q1
9	2	38014	PC BOARD IGBT DRIVER (230V)	PCB2, PCB3
	1	38099	PC BOARD IGBT DRIVER (400V)	PCB3
10	2	36404	BUSBAR (230V)	
	1	36425	BUSBAR (400V)	
11	2	951940	CAPACITOR 1 μ F 600 VDC (230V)	C15, C16
	1	951917	CAPACITOR 5 μ F 1200 VDC (400V)	C22
12	1	951028	CAPACITOR 1 μ F 630 VDC (230V)	C3
	2	951028	CAPACITOR 1 μ F 630 VDC (400V)	C3, C15
13	1	951085	THERMAL SWITCH D/T 176 15A 120V	TS1
14	1	2062282	CAPACITOR 0.22 μ F 1KV	C19
15	1	952149	MODULE INPUT BRIDGE 50 A (PAD 951191)	IBR
16	2	17750010	RESISTOR 50 W 10 OHN (PAD 951194)	R7, R10
17	1	32958	CURRENT TRANSFORMER	T4
18	1	951161	CAPACITOR 120 μ F 400 VDC	C4
19	1	17145339	RESISTOR 39 K 2W	R9
20	1	951202	FLOW SWITCH 0.25 GPM SPST	FS
21	4	17721020	RESISTOR 20 OHM 25 W (PAD 951193)	R3,4,5,6
22	1	950249	SOLENOID VALVE 1/4 NPT 24 VAC	SOL1
23	1	951471	ZENER DIODE 60 V 75 MA	ZD1
24	1	952150	OUTPUT BRIDGE MODULE (PAD 951192)	D1
25	1	38092	PC BOARD ASSY'S START UP (hidden)	PCB5
26	1	647361	TERMINAL LUG GROUND (hidden)	GND1
27	1	952217	EMI FILTER	FN1
28	3	950591	VARISTOR METAL OXIDE 510 (400V)	MOV 1,2,3

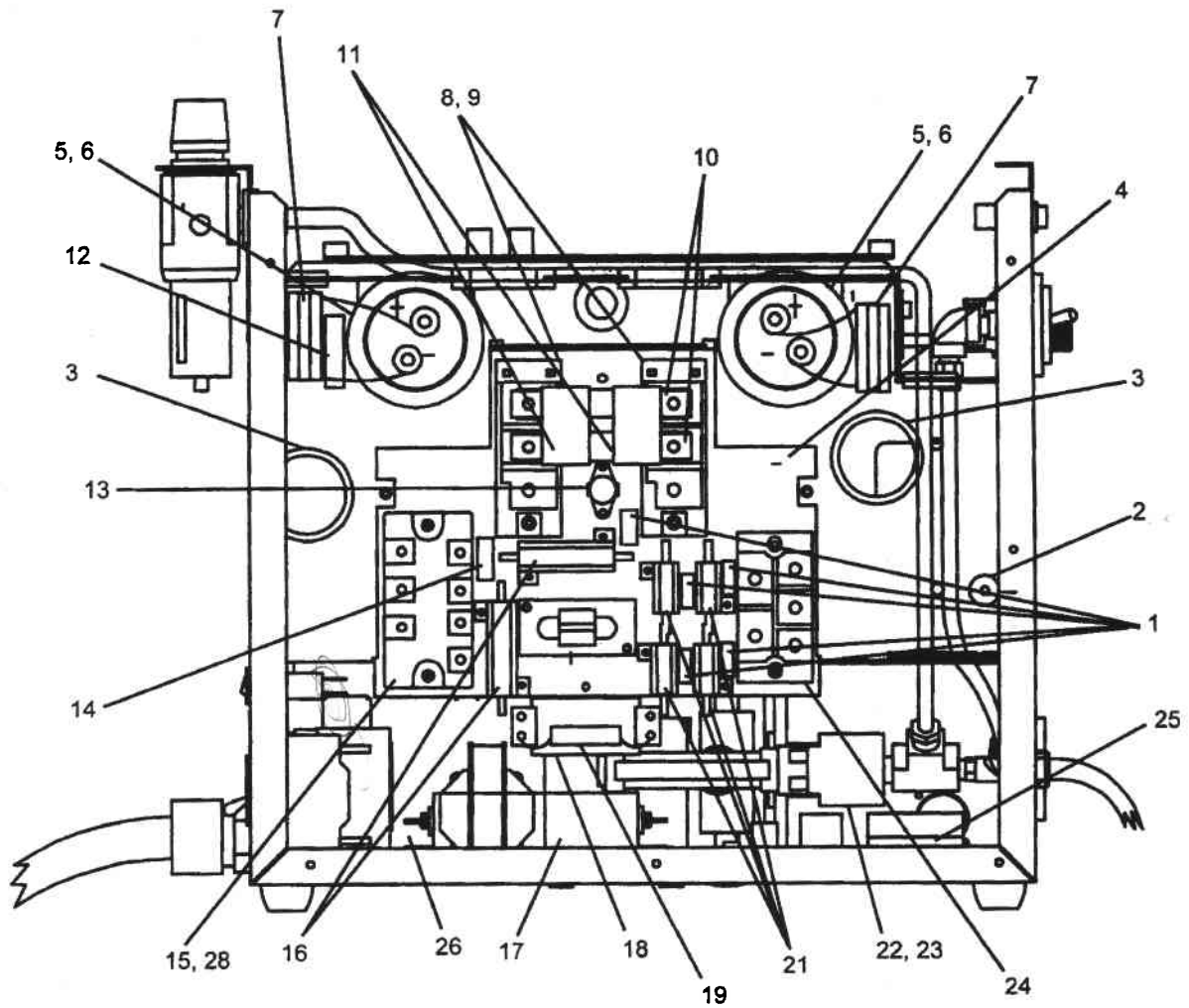


Fig. 15 side view, Sabre-arc 35i (230V unit)

Left-hand

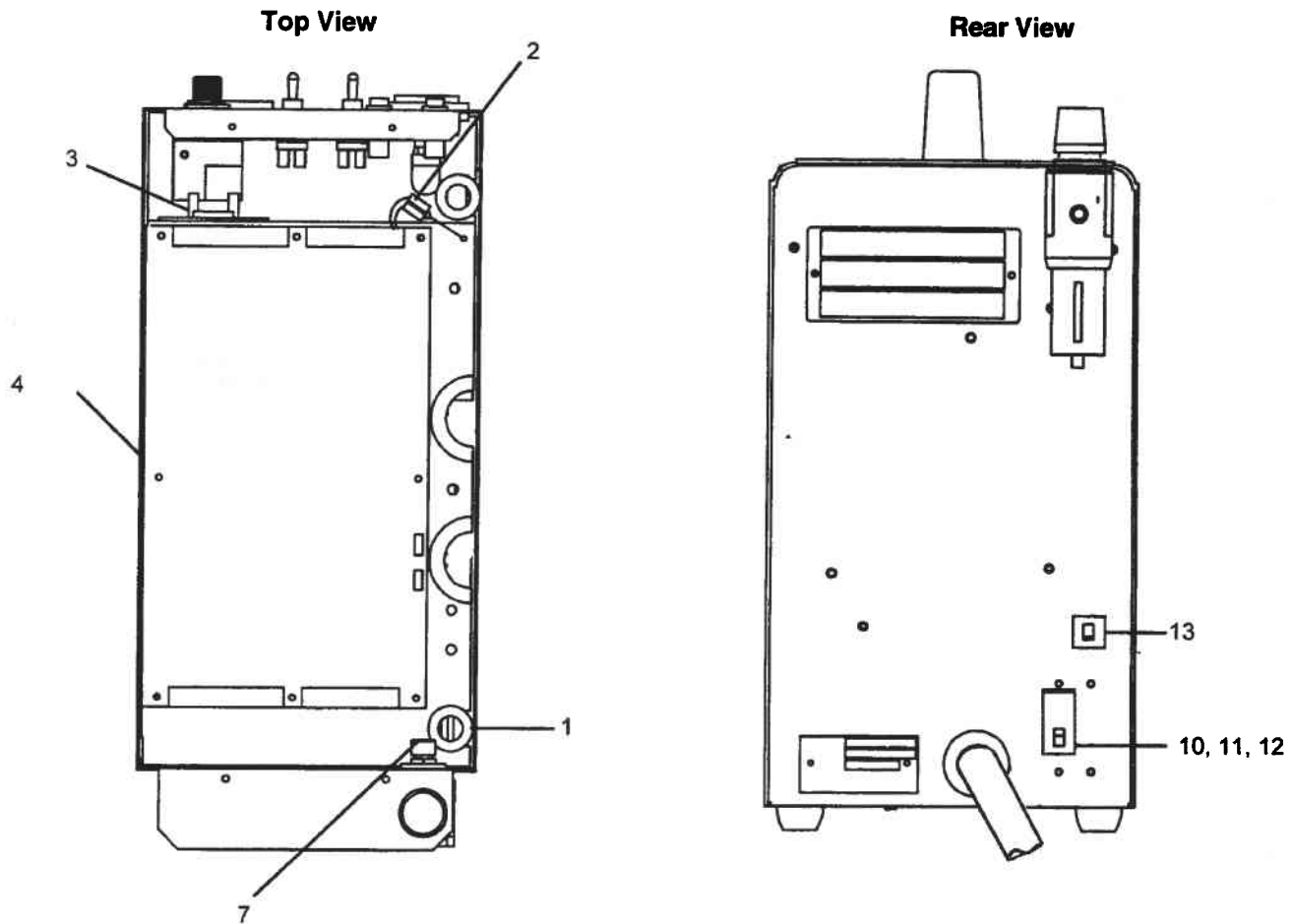


Fig. 16 Top and Rear View, Sabre-arc 35i

ITEM NO	QTY REQ.	PART NO.	DESCRIPTION	CIRCUIT SYMBOL
2	2	951469	CAPACITOR 0.22 μ f 250VAC	C17, C18
3	1	31488	PC BOARD SHUNT	PCB4
4	1	38086	PC BOARD ASS'Y CONTROL (230 V)	PCB1
	1	38087	PC BOARD ASS'Y CONTROL (400 V)	PCB1
7	1	10Z30	ADAPTOR, AIR-WATER	
10	1	952176	CIRCUIT BREAKER 40 A (200/230 V, 1PH)	CB1
	1	952177	CIRCUIT BREAKER 20 A (ALL 3 PH)	
11	1	951470	CAPACITOR 0.047 μ f 300 VAC (200/230 V, 1PH)	C20
12	1	951321	VARISTOR METAL OXIDE (200/230 V, 1PH)	MOV1
13	1	951829	CIRCUIT BREAKER 3 A	CB2



Murex Welding Products Limited
Hertford Road, Waltham Cross,
Herts. EN8 7RP. England
Telephone: Lea Valley (01992) 710000
Telex: 25743

Pt. No. 100543
Issue 2