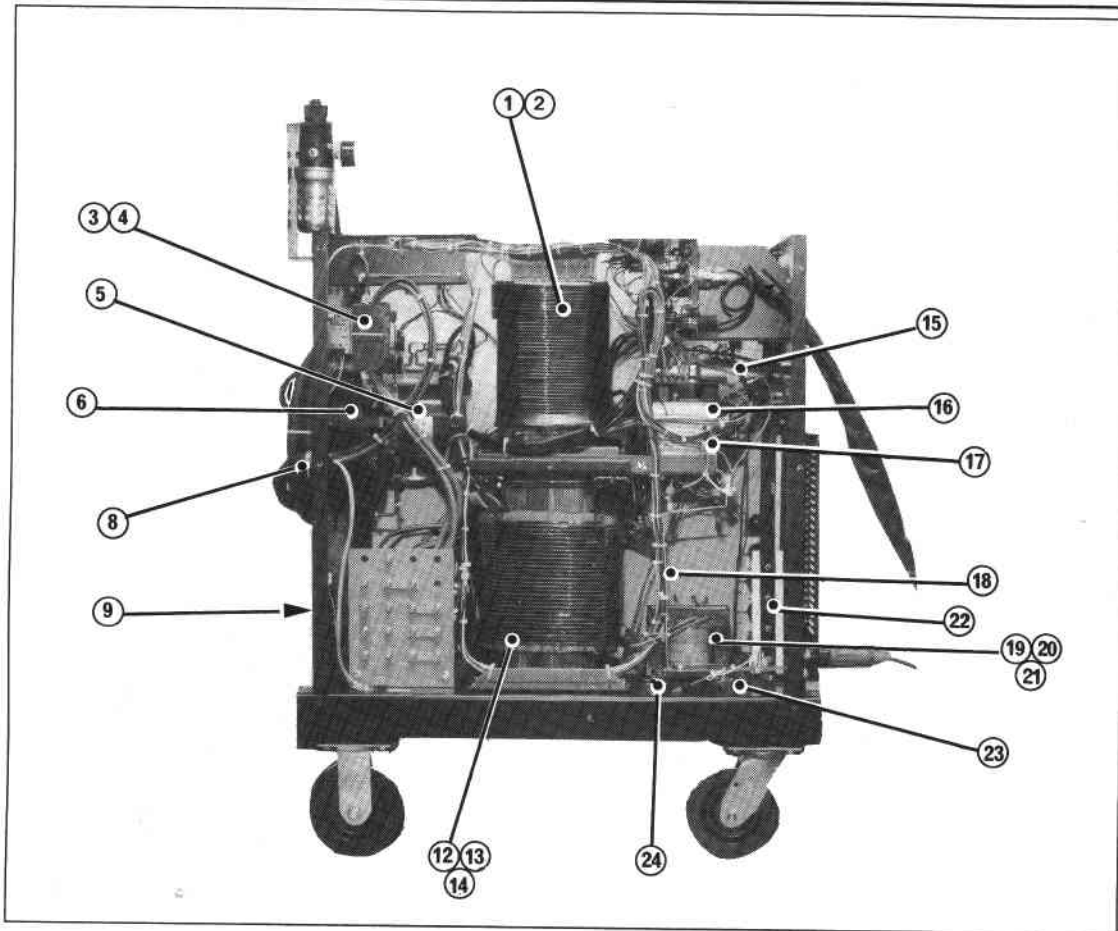


Fig. B

Item No.	Pt.No.	Cct Ref.	Description	Item No.	Pt.No.	Cct Ref.	Description
1	-	-	Top panel	8	1414600	ROS	Ready-Off switch
2	-	-	Left side panel	9	1414601	OSS	Purge switch
3	-	-	Right side panel	10	1414607	-	Grommet
4	1414602	CCP	Potentiometer	11	1414606	-	Output terminal
5	1414603	-	Knob	12	-	ROL	Power ON lamp
6	-	-	Front panel	13	-	OHL	Overtemperature lamp
7	1414605	AM	Ammeter	14	1414604	OPL	Torch live lamp



**Fig. C**

Item No.	Pt.No.	Cct Ref.	Description
1	1414617	IND	Inductor (includes Item 2)
2	1414610	INDTS1	Thermal switch (Inductor)
3	1414615	MC	Contactor
4	1414616	R25	Resistor (Across MC coil)
5	1414614	FM	Fan motor
6	1414613	-	Fan blade
8	1414612	-	Strain relief
9	-	-	Rear panel
12	1414609	MTR	Main transformer
13	1414610	MTR-TS1 TS2, TS3	Thermal switch (3 reqd.)
14	1414611	MTR-F1, F2	Fuse (2 reqd.)
15	1414619	-	Bridge filter network (See Fig. H)
16	1414620	BR	Bridge assy. (See Fig. G)
17	1414621	FBD1	Filter board assy.
18	1414683	SH	Shunt assy.
19	1414623	CTR	Control transformer
20	1414624	C29, C30	Capacitor
21	1414625	C26	Capacitor
22	1414626	R20, 21, 30, 31	Resistor
23	1414625	C23	Capacitor
24	1414624	C22	Capacitor

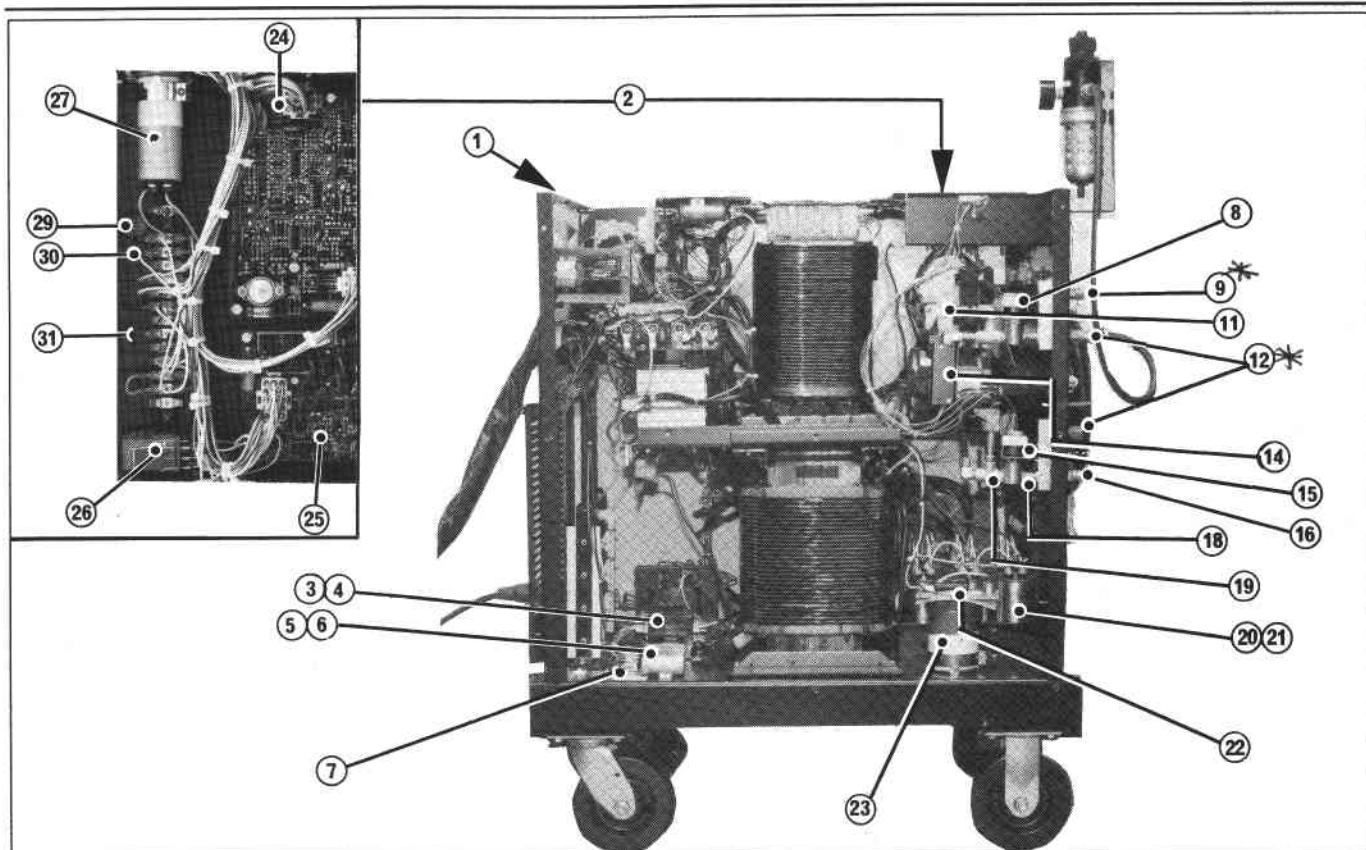


Fig. D

Item No.	Pt.No.	Cct Ref.	Description
1	-	-	High Frequency box assembly (See Fig. F)
2	-	-	P.C. Board box assembly (See inset above)
3	1414639	PAC	Pilot arc contactor
4	1414616	R26	Resistor (across PAC coil)
5	1414637	C17,C19	Capacitor
6	1414638	R22	Resistor
7	1414625	C27,C28	Capacitor
8	1414641	PGSV	Plasma gas solenoid valve
9	1414642	-	Fuel gas connection
11	1414643	PGPS	Plasma gas pressure switch
12	1414644	-	Inert gas connection
14	1414645	FS	Flow switch
15	1414616	R27	Resistor
16	1414647	-	Oxygen connection
18	1414648	CGSV	Cooling gas solenoid valve
19	1414649	CGPS	Cooling gas pressure switch
20	1414650	C1-C9	Capacitor
21	1414651	R1-R9	Resistor
22	1414652	D/R	Diode/Resistor board assembly
23	1414653	C24	Capacitor
24	1414634	CBD	Control P.C. board assembly
25	1414635	LBD	Logic P.C. board assembly
26	1414629	FSR	Flow switch relay
27	1414633	C25	Capacitor
29	1414632	C13	Capacitor (Bet. TI-1 & Gnd.)
30	1414631	D5/D6	Diode assembly
31	1414630	R28	Resistor

\* 9/16 x 18 NPT. (COOLING - RH) : (CUTTING - RH) *American not available UK.*

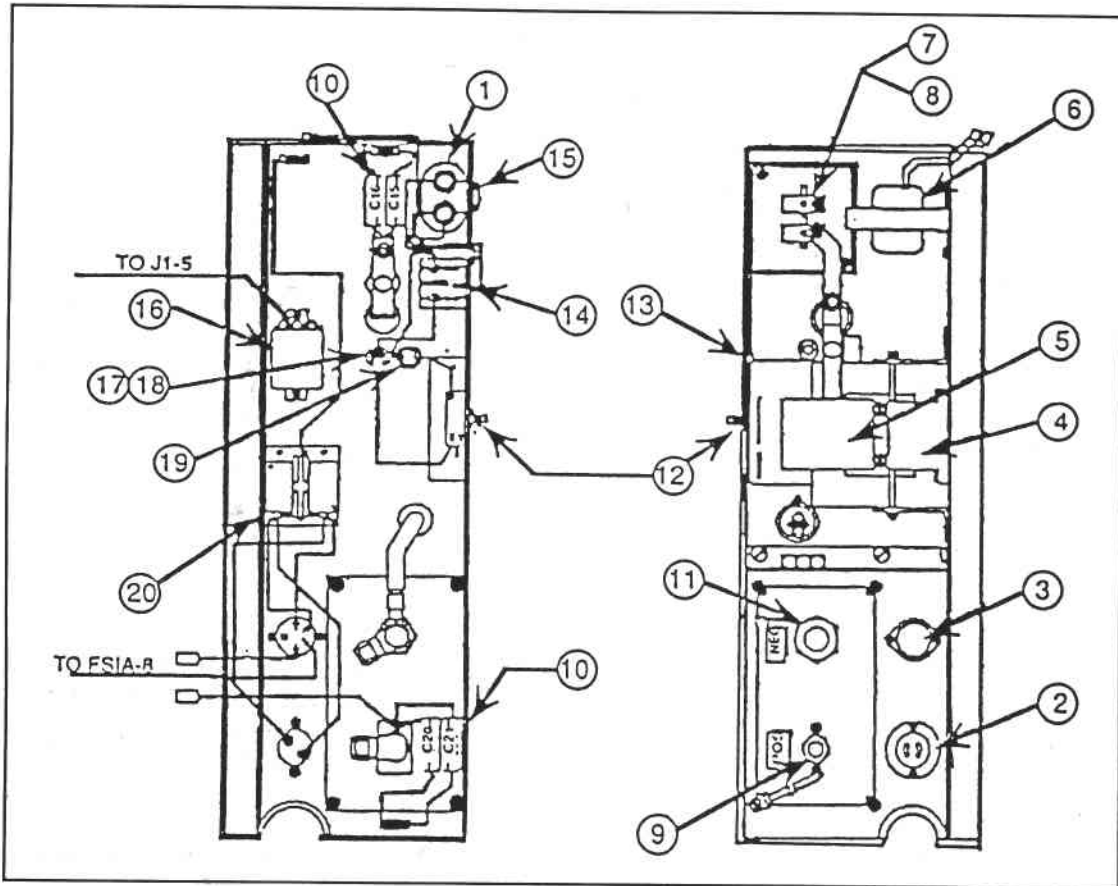


Fig. E High Frequency Assembly

Item No.	Pt.No.	Cct Ref.	Description
1	1414637	C34	Capacitor
2	1414672	J2	Receptacle
3	1414671	J1	Receptacle
4	1414670	C18	Capacitor
5	1414669	HFATR	Hi-Frequency Auto transformer
6	1414668	HFTR	Hi-Frequency transformer
7	1414666	SG	Spark gap assembly (Includes Item 8)
8	1414667	-	Spark gap electrodes (2 reqd.)
9	1414664	POS	Connection (positive)
10	1414659	C15, 16 & C20, 21	Capacitor
11	1414665	NEG	Connection (Negative)
12	1414663	ISW	Interlock switch
14	1414662	GFIR	Gnd. fault interrupter relay
15	1414638	R23	Resistor (Across Item 1 coil)
16	1414658	FSIR	Flow switch interlock relay
17	1414656	F3	Fuse 1Amp. - 1/4" x 1/4" - 250V
18	1414657	F3	Fuse holder (for item 17)
19	1414655	CB	Circuit breaker - 5 Amp.
20	1414654	FBD1	Filter board assembly

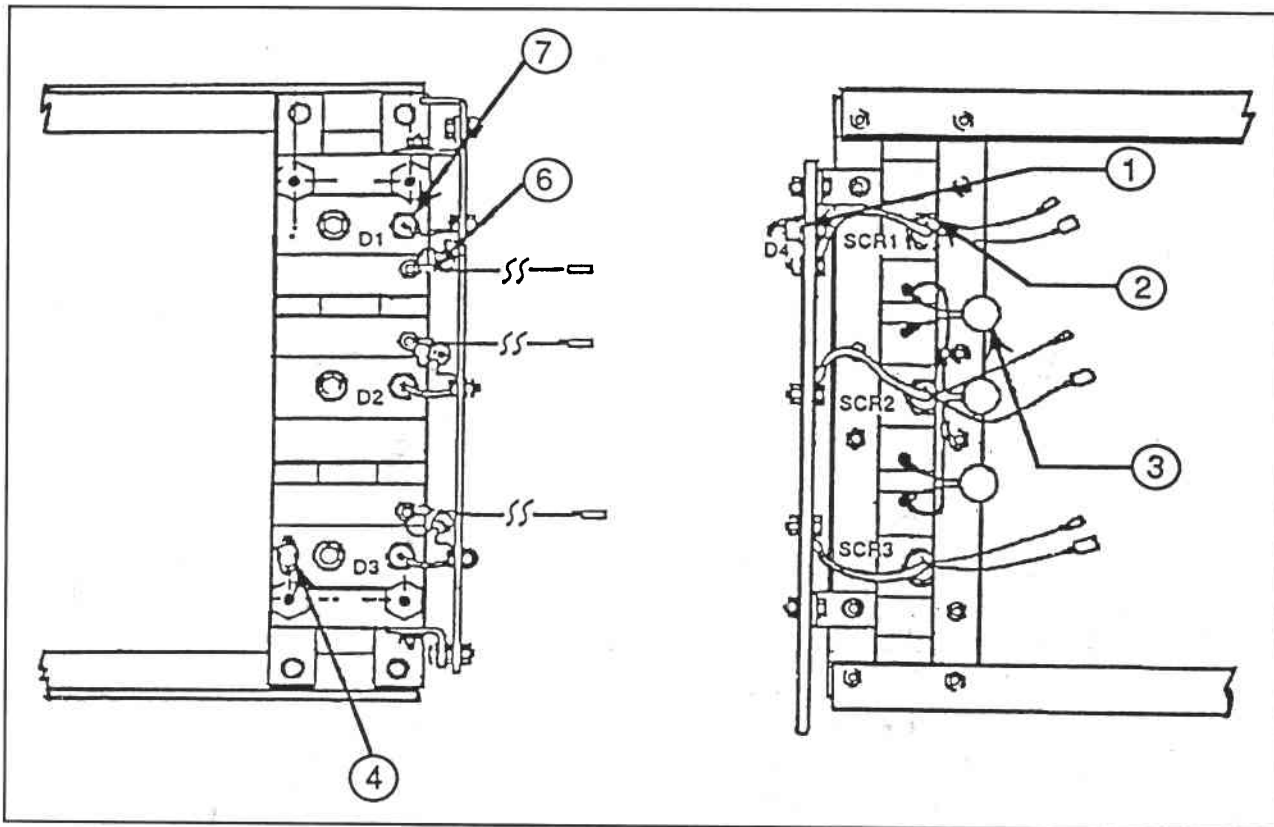


Fig. F Bridge Assembly

Item No.	Pt.No.	Cct Ref.	Description
1	1414675	D1,D2,D3,D4	Forward rect. diode (85A)
2	1414676	SCR 2, 3	Silicon controlled rectifier
3	1414677	MOV 2, 3	Metal oxide varistor
4	1414673	BRTS1	Thermal switch
6	1414674	C31, C32, C33	Capacitor

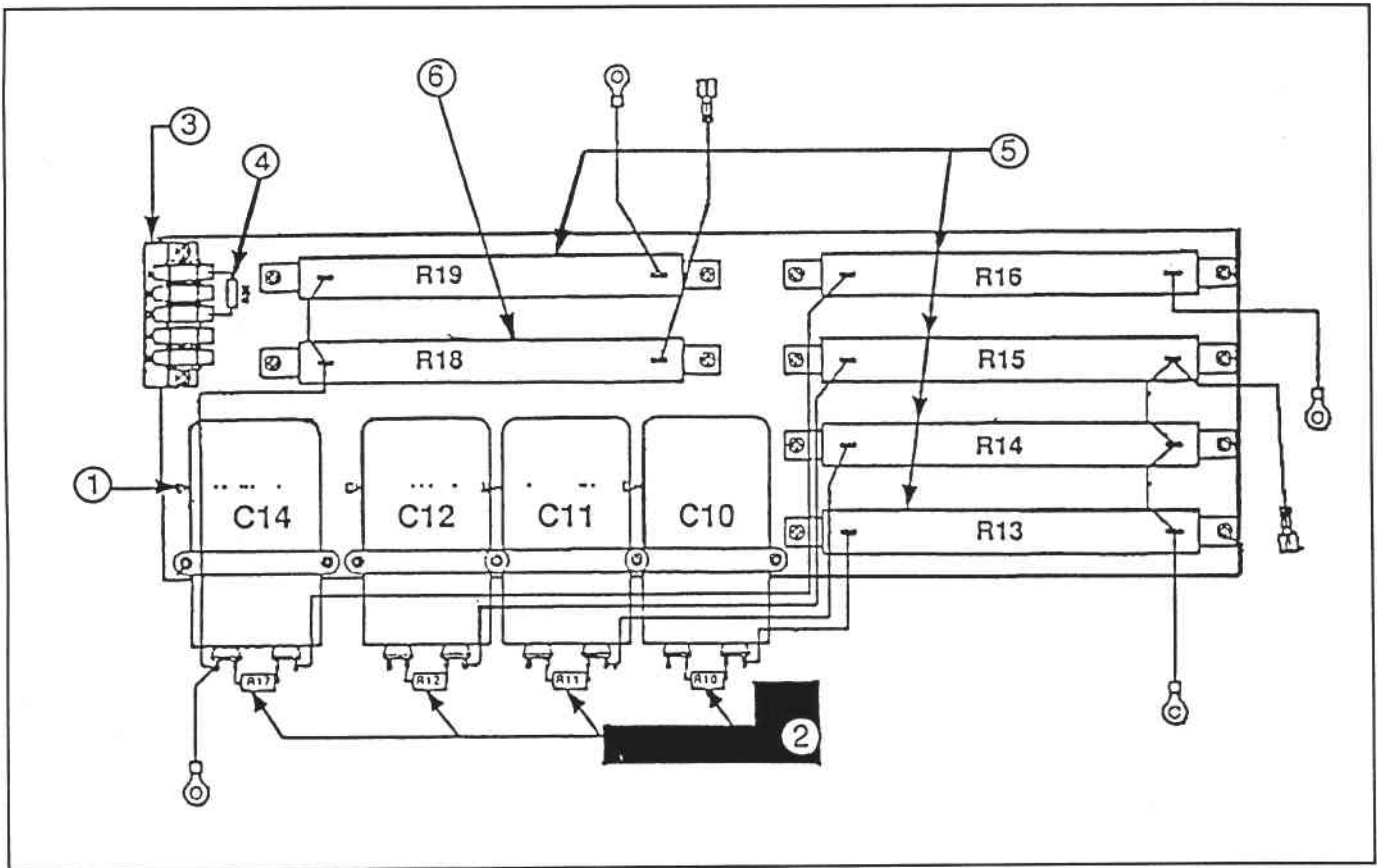


Fig. G Bridge Filter Network

Item No.	Pt.No.	Cct Ref.	Description
1.	1414681 /	C10, 11, 12	Capacitor & 14
2	1414682 /	R10, 11, 12	Resistor & 17
4	1414678 /	R32	Resistor (Bet- T2-1 & T2-3)
5	1414679 /	R13, 14, 15,	Resistor
		16 & 19	
6	1414680 /	R18	Resistor